

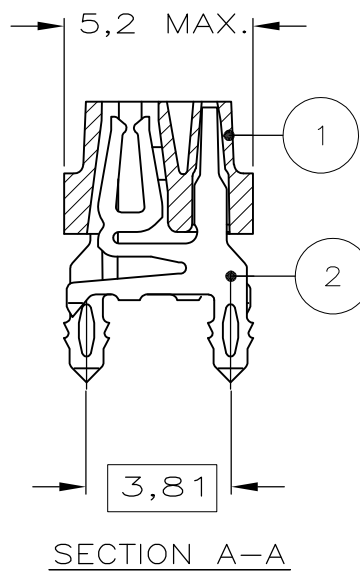
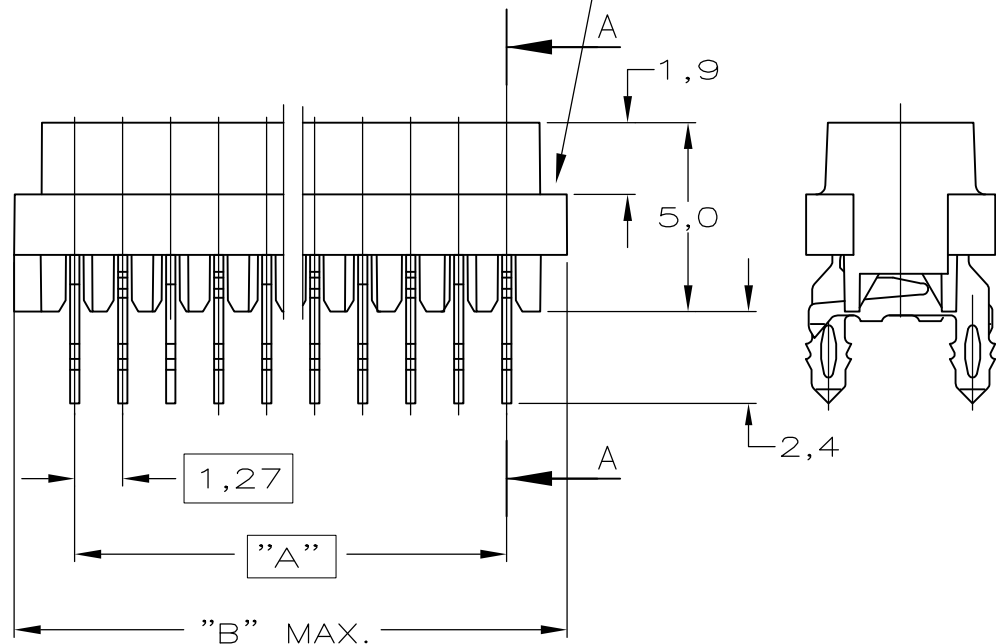
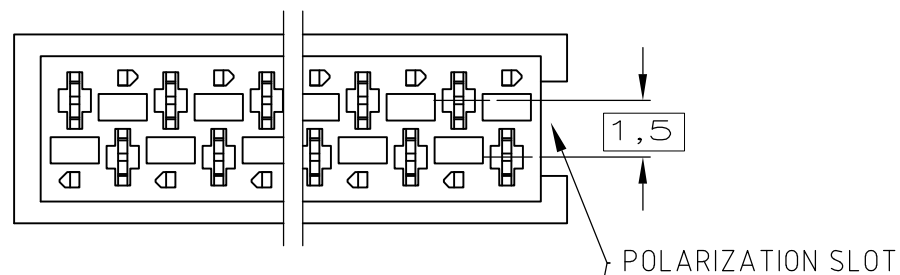
THIS DRAWING IS UNPUBLISHED.

RELEASED FOR PUBLICATION

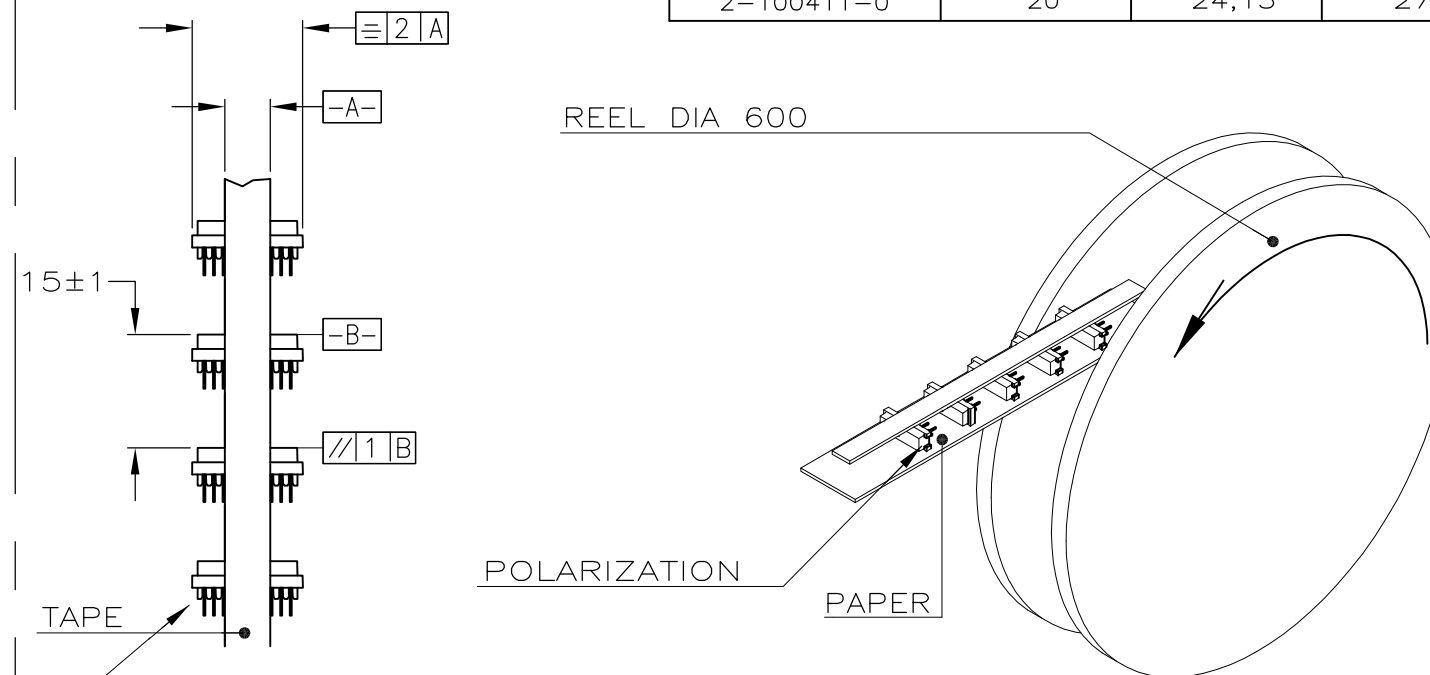
ALL RIGHTS RESERVED.

© COPYRIGHT - By -

LOC	DIST	REVISIONS					
		P	LTR	DESCRIPTION	DATE	DWN	APVD
-	-		G1	Adhesive tape width changed back to 6 mm	09FEB2016	SS	PS



	PART NUMBER REEL PACKAGING	NUMBER OF POSITIONS	"A"	"B" MAX.
OBSOLETE	-0-100411-4-	4	3,81	7,1
OBSOLETE	-0-100411-6-	6	6,35	9,7
	0-100411-8	8	8,89	12,2
OBSOLETE	-1-100411-0-	10	11,43	14,7
OBSOLETE	-1-100411-2-	12	13,97	17,3
OBSOLETE	-1-100411-4-	14	16,51	19,8
OBSOLETE	-1-100411-6-	16	19,05	22,4
OBSOLETE	-1-100411-8-	18	21,59	24,9
	2-100411-0	20	24,13	27,4



NOTES:

- HEIGHT OF CONNECTOR ABOVE P.C. BOARD SURFACE AFTER INSERTION: 5,20±0,05
- FOR PC BOARD LAY-OUT SEE SHEET 2
- FINISH: TIN OVER NICKEL PLATING.

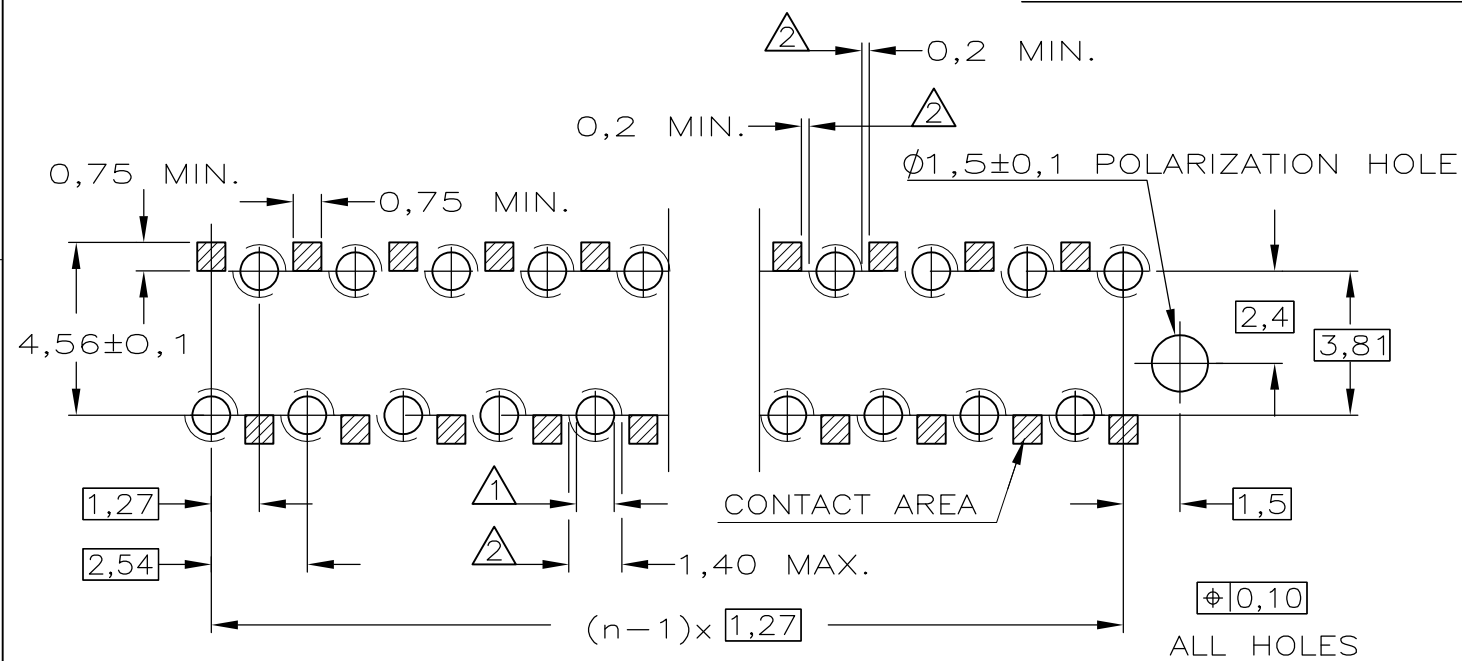
DESCRIPTION	MATERIAL	ITEM
FEMALE CONTACT	PHOSPHOR BRONZE	2
HOUSING	GLASS FILLED POLYESTER (RED)	1

THIS DRAWING IS A CONTROLLED DOCUMENT.		DWN 11-07-91 P V TONGEREN	STE TE Connectivity	
		CHK 11-07-91 H KOKKEN		
DIMENSIONS: mm		PRODUCT SPEC 108-19052		NAME Micro MatCh FEMALE S.M.C. CONNECTOR
TOLERANCES UNLESS OTHERWISE SPECIFIED:		APPLICATION SPEC 114-19027		
MATERIAL SEE TABLE		WEIGHT -		SIZE A3
FINISH 3		CUSTOMER DRAWING		CAGE CODE 00779
		DRAWING NO C-100411		RESTRICTED TO -
		SCALE 1:1		SHEET 1 OF 3
		REV G1		

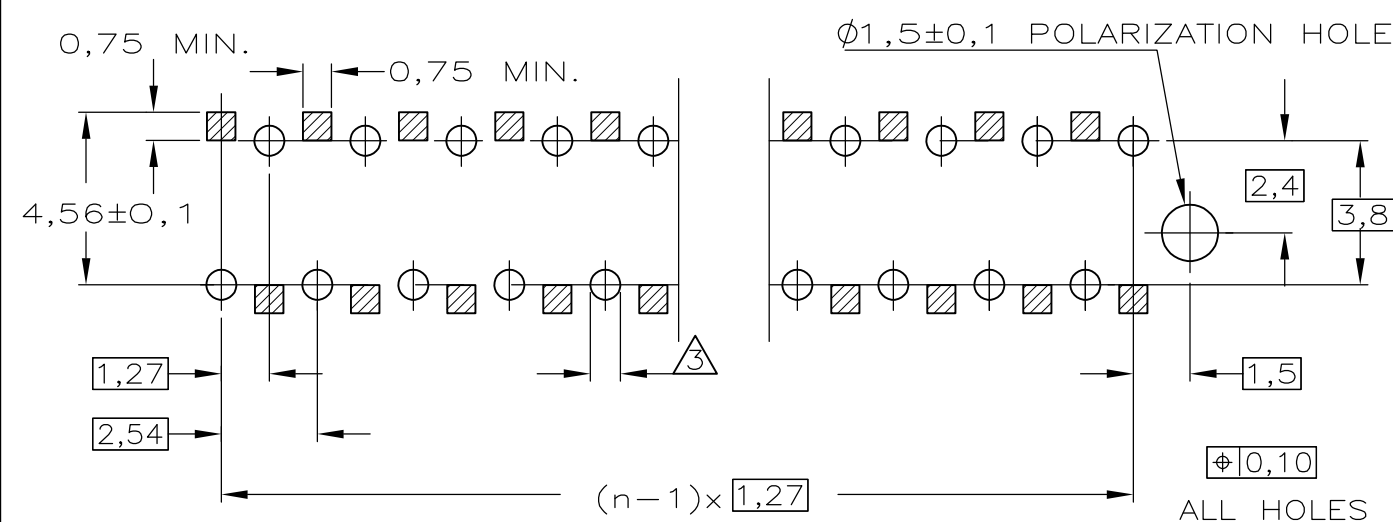
THIS DRAWING IS UNPUBLISHED. RELEASED FOR PUBLICATION
 © COPYRIGHT - By - ALL RIGHTS RESERVED.

LOC	DIST	REVISIONS			
P	LTR	DESCRIPTION	DATE	DWN	APVD
-	-	SEE SHEET 1	-	-	-

RECOMMENDED PC BOARD LAY-OUT (SOLDERSIDE SHOWN)



EPOXY PC BOARDS WITH PLATED OR UNPLATED DRILLED HOLES



PAPER PHENOLIC PC BOARDS WITH PUNCHED HOLES

1 EPOXY PC BOARD WITH UNPLATED DRILLED HOLES 1,00±0,05mm.
 FOR PLATED HOLES: SEE TABLE 1

2 EPOXY PC BOARDS WITH PLATED DRILLED HOLES, SOLDER EYE
 1,40 MAX. TO ACHIEVE A CREEPAGE DISTANCE BETWEEN SOLDER
 EYE AND CONTACT AREA CONNECTOR OF MIN. 0,20mm.

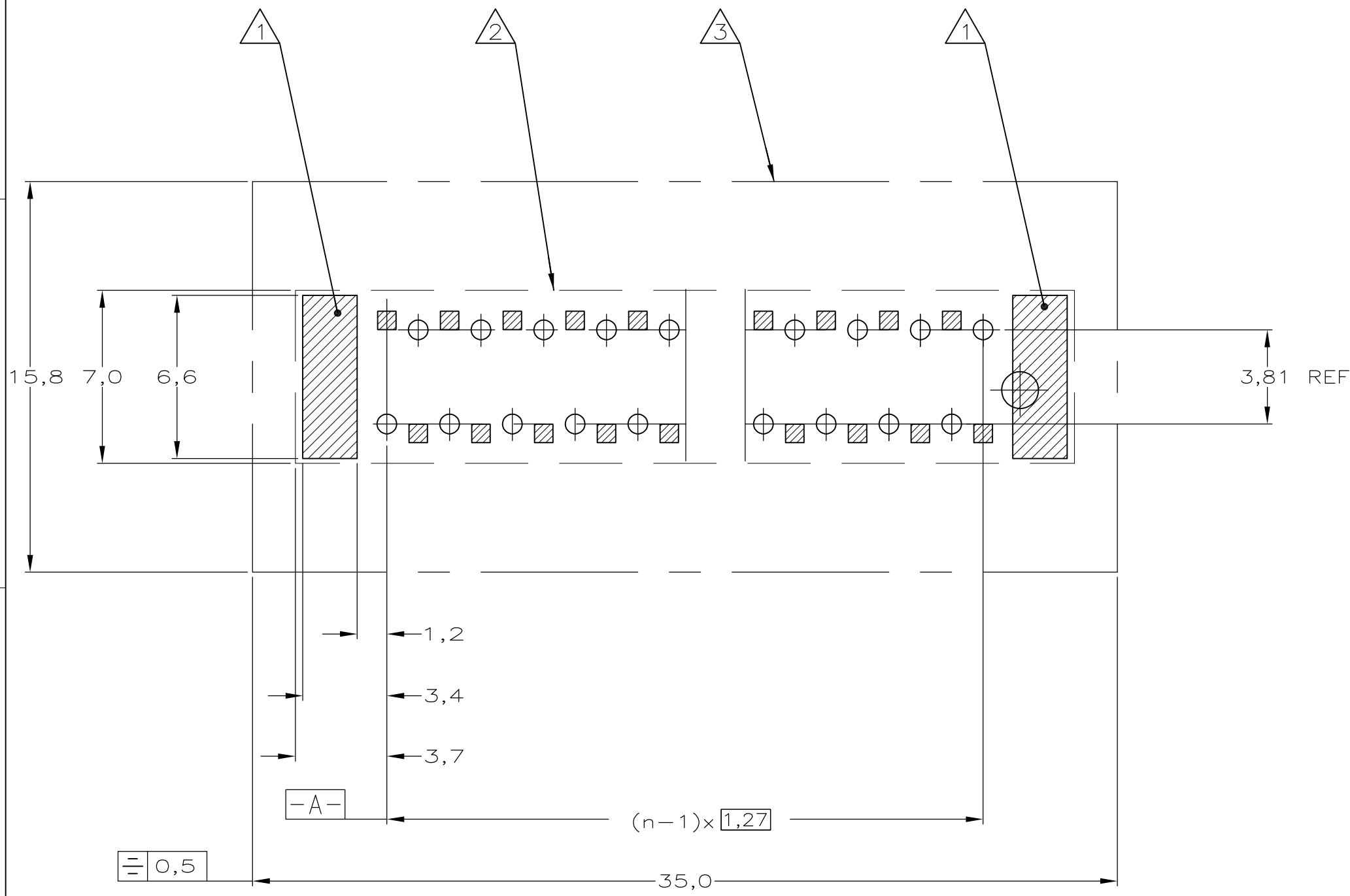
TABLE 1

P.C.B. HOLE DIM. PLATED	
FIN. HOLE	0,95 TO 1,05 mm
Cu-thks	0,025 TO 0,050 mm
Sn-thks	0,004 TO 0,010 mm

THIS DRAWING IS A CONTROLLED DOCUMENT.		DWN 11-07-91 P V TONGEREN	TE Connectivity				
DIMENSIONS: mm		CHK 11-07-91 H KOKKEN				NAME Micro MatCh FEMALE S.M.C. CONNECTOR	
TOLERANCES UNLESS OTHERWISE SPECIFIED:		APVD -	PRODUCT SPEC 108-19052				
0 PLC ± - 1 PLC ± - 2 PLC ± - 3 PLC ± - 4 PLC ± - ANGLES ± -		APVD -	APPLICATION SPEC 114-19027				
MATERIAL -		FINISH -	WEIGHT -	SIZE A3	CAGE CODE 00779	DRAWING NO C-100411	RESTRICTED TO -
CUSTOMER DRAWING			SCALE 1:1	SHEET 2 OF 3	REV G1		

THIS DRAWING IS UNPUBLISHED. RELEASED FOR PUBLICATION
 © COPYRIGHT - By - ALL RIGHTS RESERVED.

LOC	DIST	REVISIONS			
P	LTR	DESCRIPTION	DATE	DWN	APVD
-	-	SEE SHEET 1	-	-	-



**P.C.B. LAYOUT RECOMENDATIONS
 TOOLING AREAS**

NOTES:

- ① SHADED AREAS FREE OF (TINNED) COPPER TRACKS ON P.C.B.
- ② AREAS WITHIN THE DOTTED LINE FREE OF P.C.B. COMPONENTS, TOP AND BACK SIDE OF THE P.C.B.
- ③ AREA WITHIN THIS LINE FREE OF COMPONENTS HIGHER THAN 14 mm

THIS DRAWING IS A CONTROLLED DOCUMENT.		DWN H.vd STEEN 12.05.92	TE Connectivity		
DIMENSIONS: mm		CHK H vd STEEN 12.05.92			
TOLERANCES UNLESS OTHERWISE SPECIFIED: 0 PLC ± - 1 PLC ± 0.1 2 PLC ± - 3 PLC ± - 4 PLC ± - ANGLES ± - MATERIAL - FINISH -		APVD -	NAME TOOLING AREAS Micro MatCh FEMALE S.M.C. CONNECTOR		
MATERIAL		PRODUCT SPEC 108-19052	RESTRICTED TO		
		APPLICATION SPEC 114-19027	SIZE A3	CAGE CODE 00779	DRAWING NO C-100411
		WEIGHT -	SCALE 1:1		
		CUSTOMER DRAWING	SHEET 3 OF 3		REV G1

X-ON Electronics

Largest Supplier of Electrical and Electronic Components

Click to view similar products for [Headers & Wire Housings](#) category:

Click to view products by [TE Connectivity](#) manufacturer:

Other Similar products are found below :

[95000-104TRLF](#) [10135584-644402LF](#) [DF62W-EP2022PCA](#) [95000-106TRLF](#) [DF62W-2022SCA](#) [DF62W-EP2022PC](#) [2203348](#) [DF62W-2022SC](#) [1084018](#) [1029039](#) [1084017](#) [802-10-012-10-002000](#) [1112640](#) [1112639](#) [000-34000](#) [0009482033](#) [0009507031](#) [57102-S06-03LF](#) [57202-S52-04LF](#) [PCN6-15S-2.5E](#) [0039019024](#) [58102-G61-06LF](#) [582553-1](#) [0009485154](#) [0009508121](#) [0022285053](#) [0050291907](#) [018731A](#) [LY20-4P-DT1-P1E-BR](#) [02.125.8002.8](#) [60101931](#) [60598-1 \(Cut Strip\)](#) [M1625-3R/100](#) [61062-3](#) [61082-181009](#) [636-1427](#) [638009-1](#) [641938-9](#) [641991-4](#) [644168-1](#) [647662-1](#) [65039-019ELF](#) [65817-002LF](#) [65817-015LF](#) [65863-015LF](#) [66207-023LF](#) [67016-026LF](#) [67046-001LF](#) [67095-007LF](#) [67230-005LF](#)