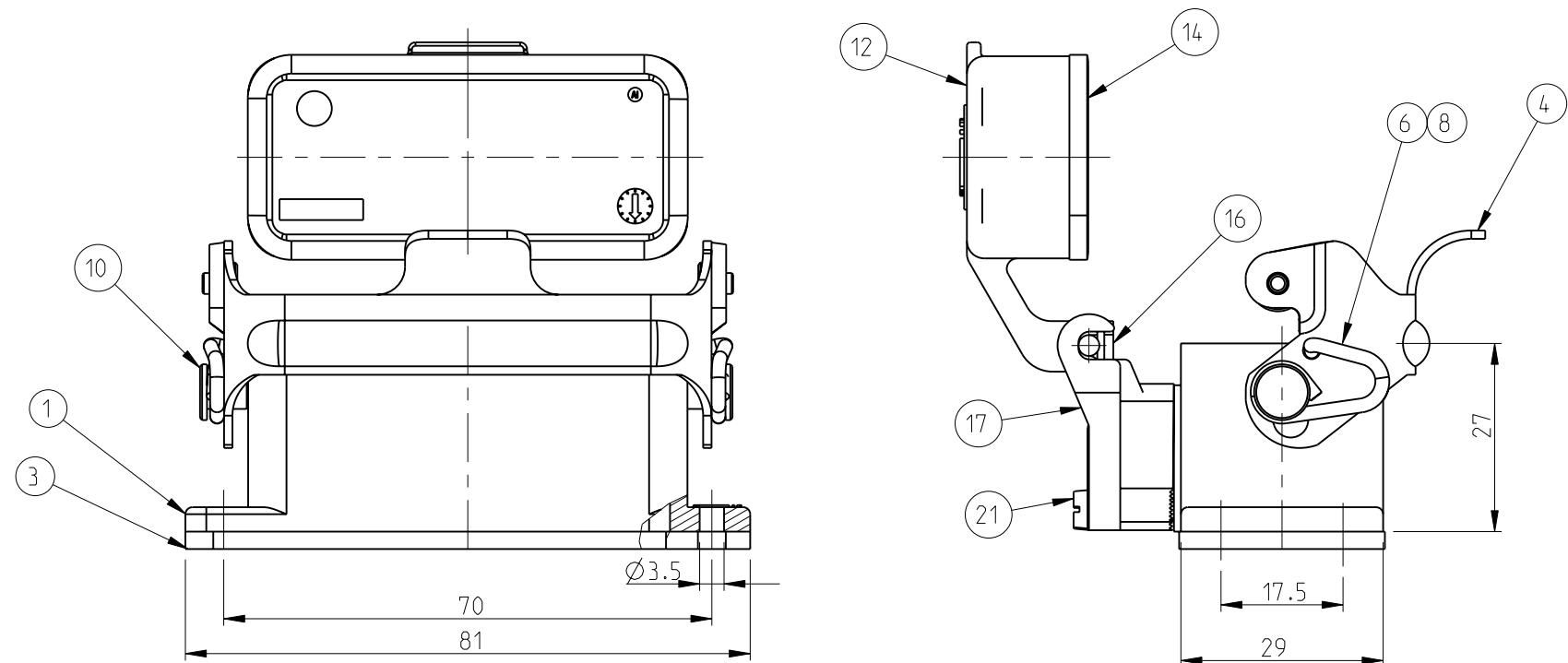
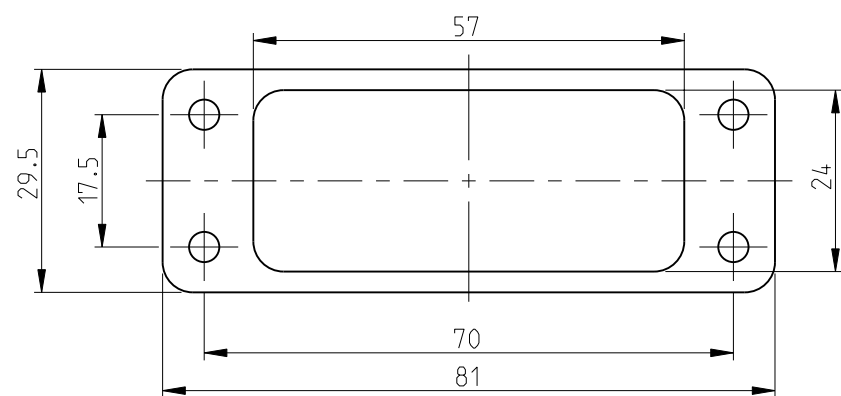


THIS DRAWING IS UNPUBLISHED. RELEASED FOR PUBLICATION 1997  
 © COPYRIGHT 1997 BY TYCO ELECTRONICS CORPORATION. ALL RIGHTS RESERVED.

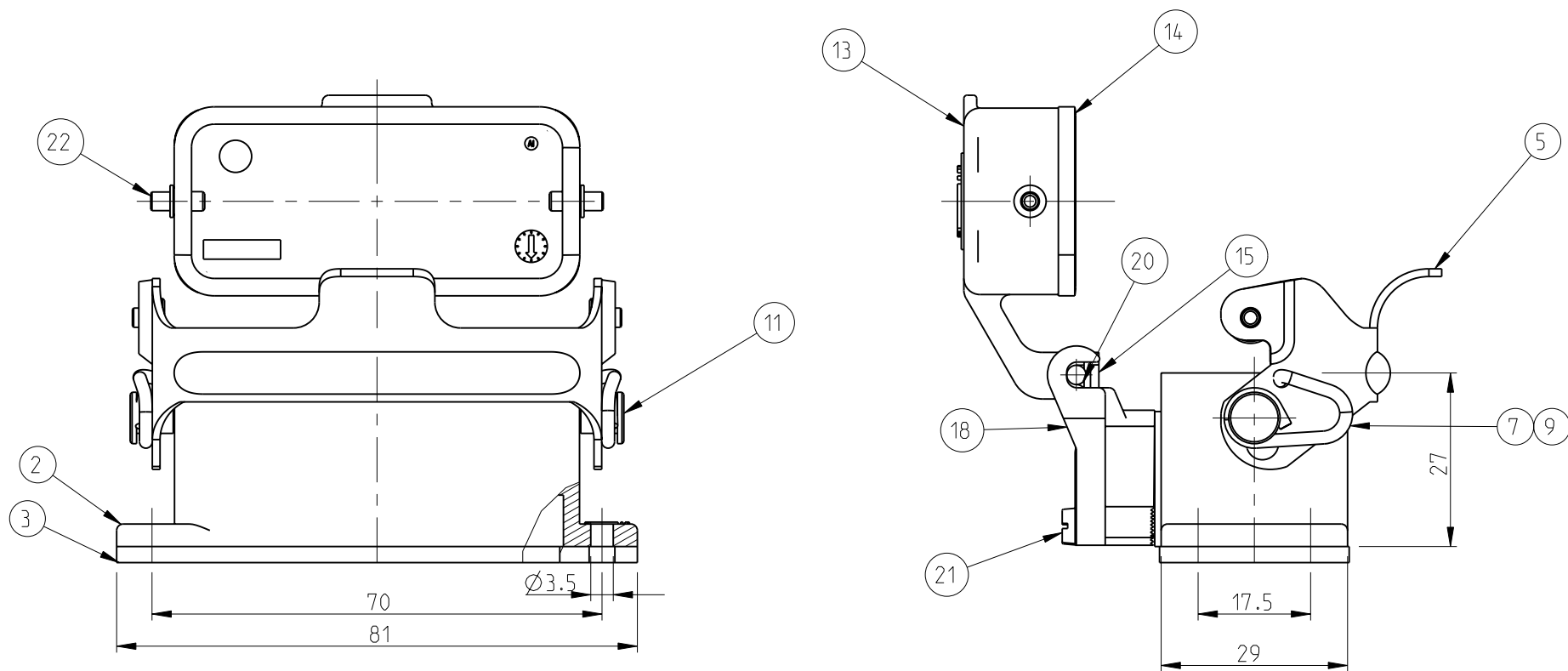
PN 1-2



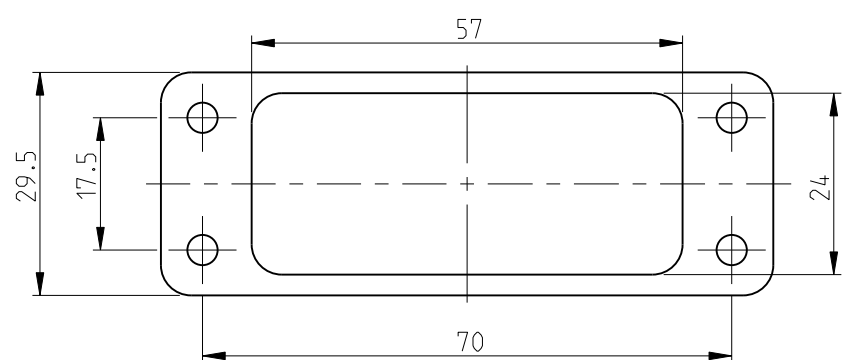
PANEL CUT-OUT



PN 2-2

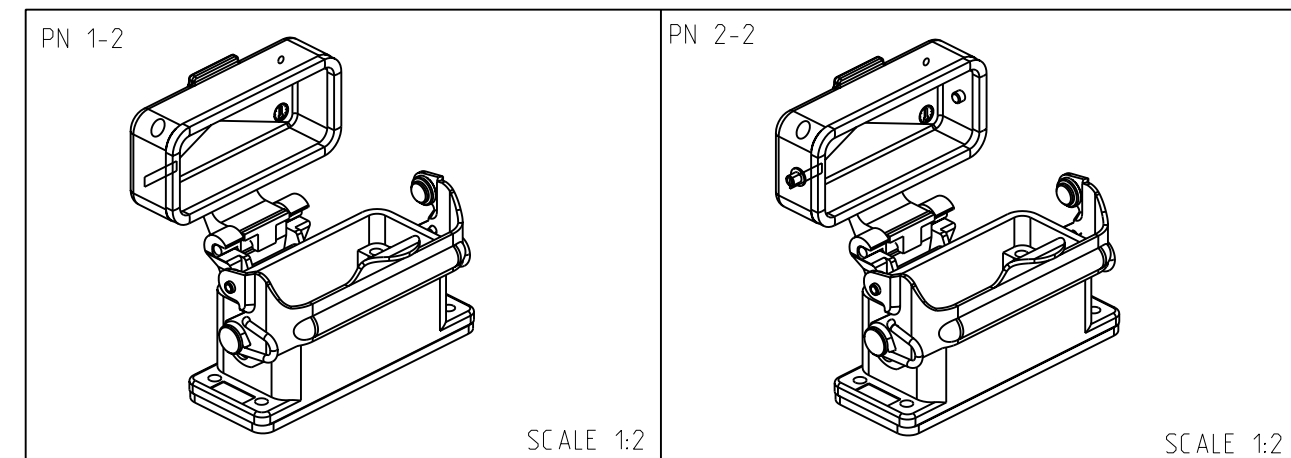


PANEL CUT-OUT



| LOC | DIST | REVISIONS   |                               |             |      |    |
|-----|------|-------------|-------------------------------|-------------|------|----|
| P   | LTR  | DESCRIPTION | DATE                          | DWN         | APVD |    |
| A1  | -    | A5          | RELEASED AS PER ECR-09-005170 | 05.MAR.2009 | GG   | TS |

- NOTES
- 1 MATERIAL:HOUSING:ALUMINIUM DIECASTING ALLOY  
SEALS:NEOPRENE
  - 2 SURFACE:VARNISH-ALUMINIUM OXIDE+  
VARNISH BLACK  
-GREY
  - 3 PACKAGING QUANTITY:5 PIECES PER BOX
  - 4 VARNISH ON THE INSIDE NOT NECESSARILY



| QTY | DESCRIPTION                            | MATERIAL       | SURFACE         | COLOR | ITEM NO | REMARKS   |
|-----|--|----------------|-----------------|-------|---------|-----------|
| 2   | - CLIP BOLT                            | STAINLES STEEL | BLANK           | -     | 22      | -         |
| 2   | 2 CYLINDER SCREW                       | STAINLES STEEL | BLANK           | -     | 21      | M3x16     |
| 1   | - GROOVED PINS                         | STAINLES STEEL | BLANK           | -     | 20      | -         |
| -   | 1 GROOVED PINS                         | STEEL          | ZINC PLATED     | BLUE  | 19      | -         |
| 1   | - HINGE                                | ALUMINIUM      | ALUMINIUM OXIDE | BLACK | 18      | -         |
| -   | 1 HINGE                                | ALUMINIUM      | -               | GREY  | 17      | -         |
| 1   | - LEAF SPRING                          | STAINLES STEEL | BLANK           | -     | 16      | -         |
| -   | 1 LEAF SPRING                          | STEEL          | ZINC PLATED     | BLUE  | 15      | -         |
| 1   | 1 PROFILE SEAL                         | NEOPRENE       | -               | BLACK | 14      | -         |
| 1   | - COVER                                | ALUMINIUM      | ALUMINIUM OXIDE | BLACK | 13      | -         |
| -   | 1 COVER                                | ALUMINIUM      | -               | GREY  | 12      | -         |
| 2   | - CENTRAL CLIP POSITIONER              | STAINLES STEEL | BLANK           | -     | 11      | -         |
| -   | 2 CENTRAL CLIP POSITIONER              | STEEL          | ZINC PLATED     | BLUE  | 10      | -         |
| 1   | - CLIP SPRING LEFT                     | STAINLES STEEL | BLANK           | -     | 9       | -         |
| -   | 1 CLIP SPRING LEFT                     | STEEL          | ZINC PLATED     | BLUE  | 8       | -         |
| 1   | - CLIP SPRING RIGHT                    | STAINLES STEEL | BLANK           | -     | 7       | -         |
| -   | 1 CLIP SPRING RIGHT                    | STEEL          | ZINC PLATED     | BLUE  | 6       | -         |
| 1   | - CLIP                                 | STAINLES STEEL | BLANK           | -     | 5       | -         |
| -   | 1 CLIP                                 | STEEL          | ZINC PLATED     | BLUE  | 4       | -         |
| 1   | 1 FLANGE SEAL                          | RUBBER         | -               | BLACK | 3       | -         |
| 1   | - SURFACE MOUNTED HOUSING BOTTOM ENTRY | ALUMINIUM      | ALUMINIUM OXIDE | BLACK | 2       | -         |
| -   | 1 SURFACE MOUNTED HOUSING BOTTOM ENTRY | ALUMINIUM      | -               | GREY  | 1       | -         |
| 2-2 | 1-2 DESCRIPTION                        | MATERIAL       | SURFACE         | COLOR | ITEM NO | REMARKS   |
|     | HA.10.AGD-LB                           |                |                 |       |         | PACKAGING |
|     | HA-K.10.AGD-LB                         |                |                 |       |         | PACKAGING |

THIS DRAWING IS A CONTROLLED DOCUMENT FOR TYCO ELECTRONICS CORPORATION IT IS SUBJECT TO CHANGE AND THE CONTROLLING ENGINEERING ORGANIZATION SHOULD BE CONTACTED FOR THE LATEST REVISION.

DWN SCHNEIDER 08.03.1999  
 CHK SCHWEIDER 08.03.1999  
 APVD SCHWEIGER

TOLERANCES UNLESS OTHERWISE SPECIFIED:  
 0 PLC ±  
 1 PLC ±  
 2 PLC ±  
 3 PLC ±  
 4 PLC ±  
 ANGLES ±

PRODUCT SPEC 108-74009  
 APPLICATION SPEC 114-74004  
 WEIGHT -

NAME SURFACE MOUNTED HOUSING HA.10.AGD  
 Tyco Electronics, AMP.GmbH  
 53757 Sankt Augustin, Germany

SIZE A2 CAGE CODE 00779 DRAWING NO G-1102122 RESTRICTED TO -  
 CUSTOMER DRAWING SCALE 1:1 SHEET 1 OF 1 REV A5

## X-ON Electronics

Largest Supplier of Electrical and Electronic Components

*Click to view similar products for [Heavy Duty Power Connectors](#) category:*

*Click to view products by [TE Connectivity](#) manufacturer:*

Other Similar products are found below :

[1424439](#) [1424438](#) [09330062652](#) [2-8675P1](#) [605601-1](#) [6340G1](#) [6341G1](#) [6360G1](#) [6373G1](#) [6374g2](#) [6396G1](#) [647757-1](#) [66394-4](#) [6643411-1](#)  
[6646058-2](#) [6646137-1](#) [6646138-1](#) [6646348-1](#) [6646479-1](#) [6646608-1](#) [6646786-1](#) [6646940-1](#) [6651091-1](#) [6651525-1](#) [6651529-1](#) [6651778-1](#)  
[6651788-1](#) [696465-1](#) [696475-1](#) [73000005059](#) [73000005349](#) [73000005642](#) [73080255059](#) [73080965046](#) [765-15-0080A](#) [765-16-0080B](#)  
[789.700-44](#) [789.700-54](#) [80-1010](#) [80-9](#) [827381-1](#) [829992-1](#) [902-77-02113](#) [PL00U-301-10D10](#) [PM103MOOLOO](#) [PM16S1620S32-50](#)  
[PM212MOOLOO](#) [PM309FOOLOO](#) [PM324FOOLCH](#) [PMHPAF11S03](#)