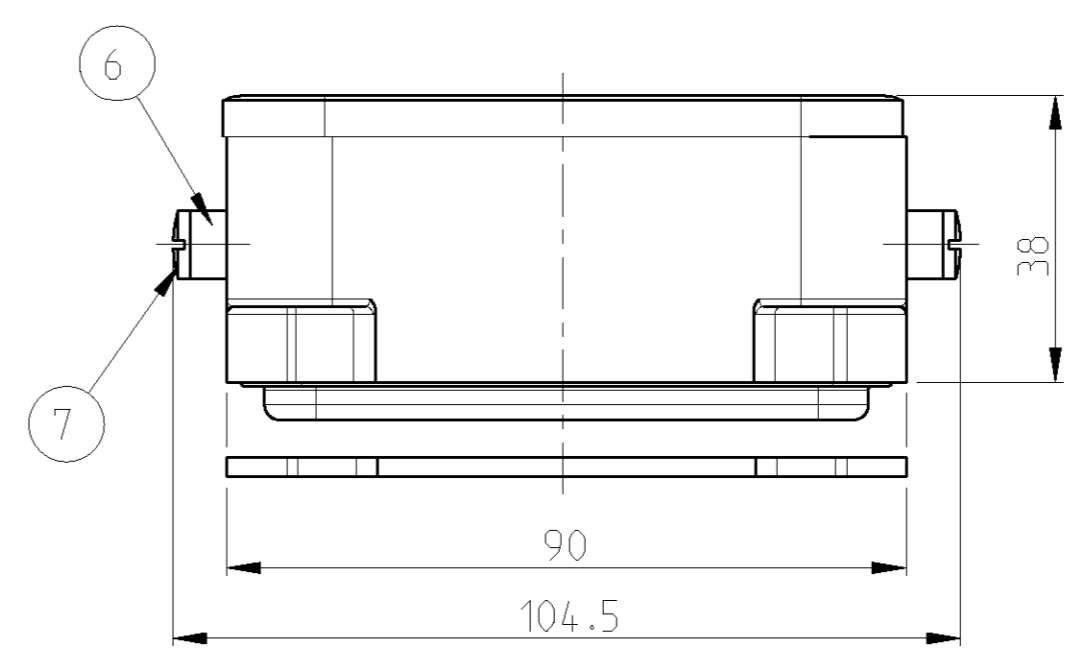
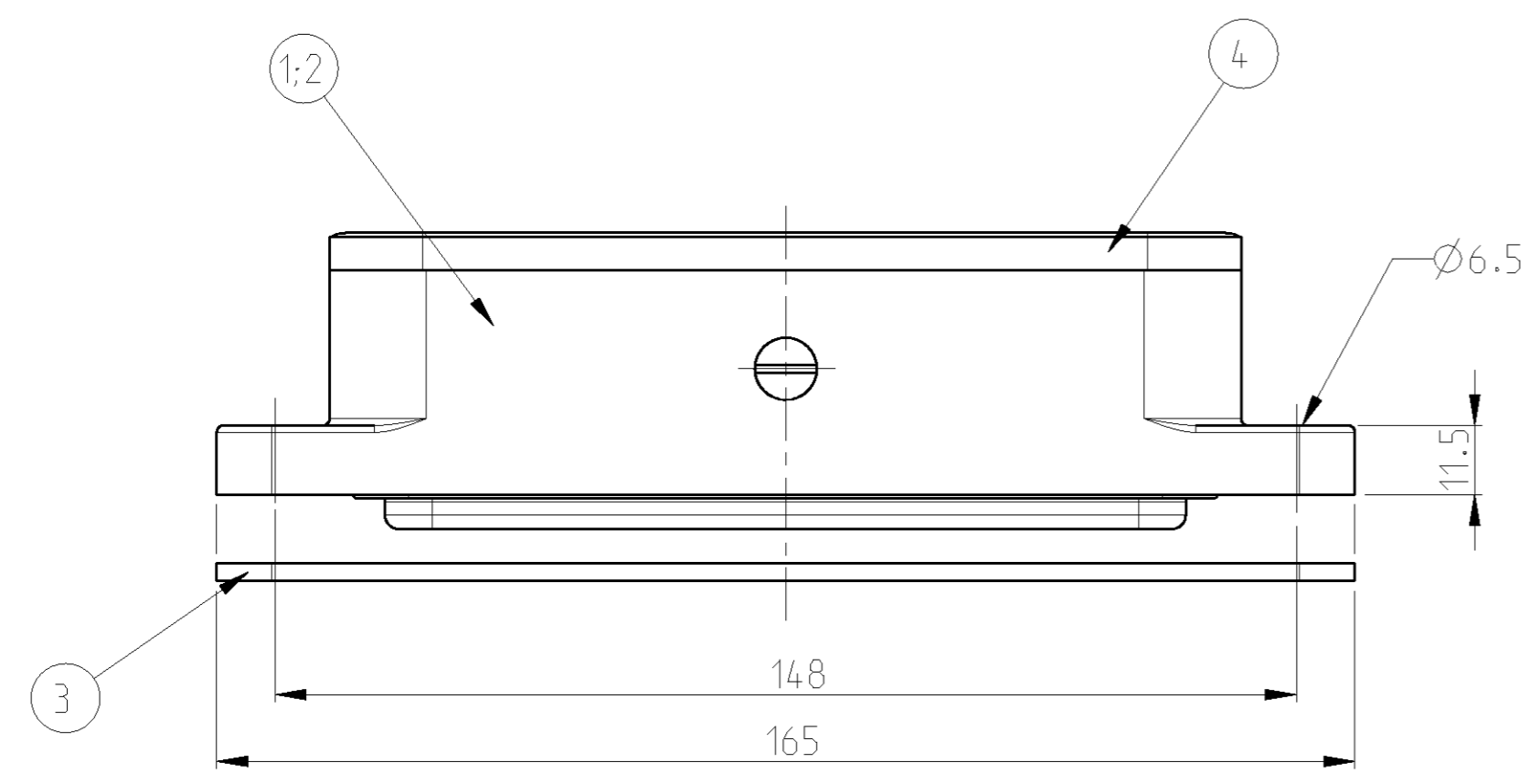
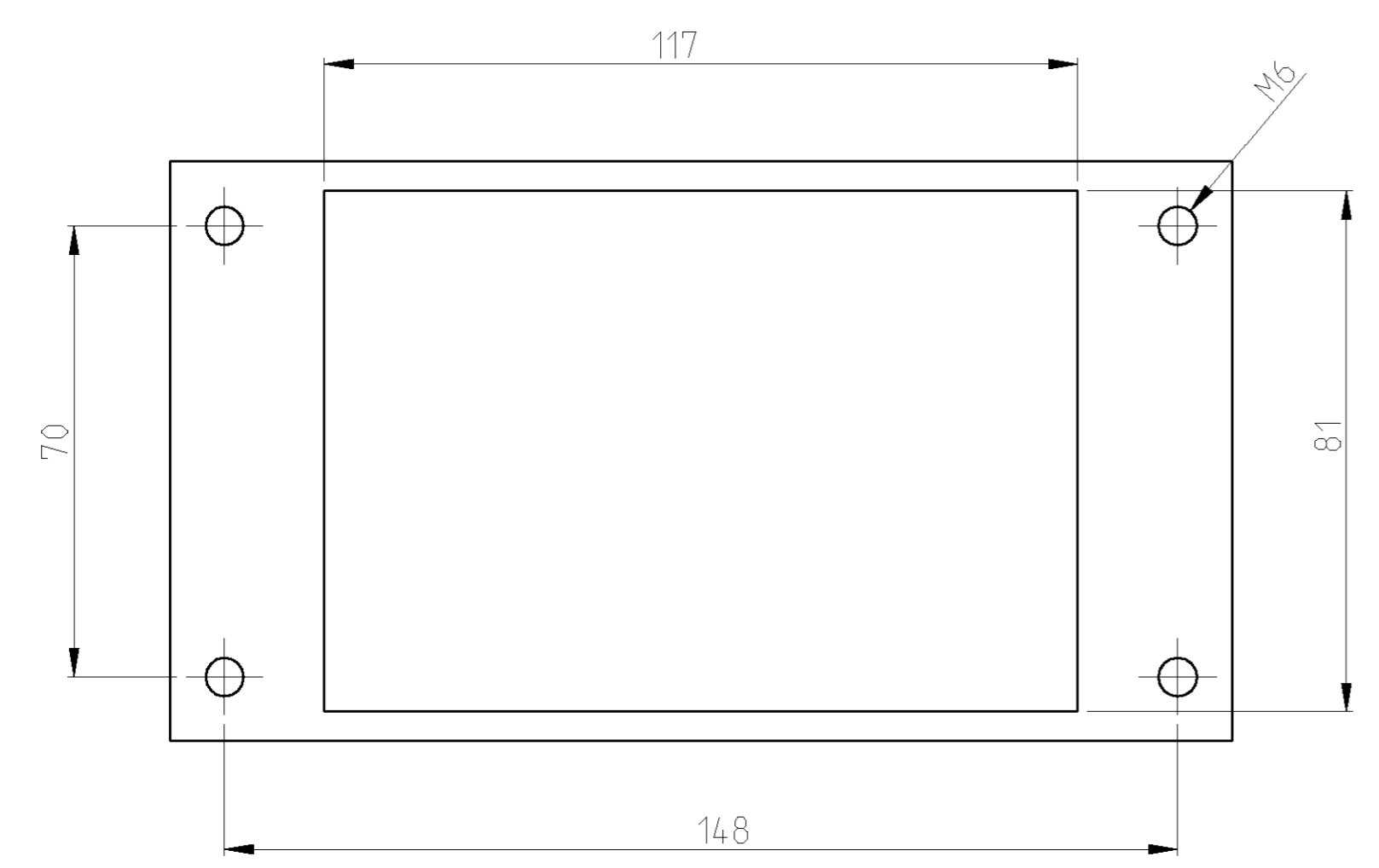


THIS DRAWING IS UNPUBLISHED. RELEASED FOR PUBLICATION 2006  
 © COPYRIGHT 2006 BY TYCO ELECTRONICS CORPORATION. ALL RIGHTS RESERVED.

LOC	DIST	REVISIONS					
		P	LTR	DESCRIPTION	DATE	DWN	APVD
A1	-		A2	new Pro/E drawing ECR-07-019263	13AUG2007	SR	ST



PANEL CUT-OUT



NOTES

- 1 PART SHALL BE FREE AND CLEAN OF BURRS AND OTHER FOREIGN MATERIAL
- 2 PACKAGING: QUANTITY 3 PIECES
- 3 VARNISHING INSIDE HOUSING NOT REQUIRED

QTY	DESCRIPTION	MATERIAL	SURFACE	COLOR	ITEM	
2	SLIDE SPOOL	V2A	BLANK	-	8	
- 2	SLIDE SPOOL	STEEL	ZINK PLATED	BLUE	7	
2	SIDE CLIP	V2A	BLANK	-	6	
- 2	SIDE CLIP	STEEL	ZINK PLATED	BLUE	5	
1	FLANGED SEAL	NEOPRENE	-	BLACK	4	
1	PROFIL SEAL	NEOPRENE	-	BLACK	3	
1	SUR. MOUNT. HOUS. BOTTOM ENTRY	ALUMINIUM/ALU	ALUMINIUM OXID	BLACK	2	
- 1	SUR. MOUNT. HOUS. BOTTOM ENTRY	ALUMINIUM/ALU	-	GREY	1	
2-8	1-8	DESCRIPTION	MATERIAL	SURFACE	COLOR	ITEM

HB-Z.48.AG-ZW GR  
 HB-K/Z.48.AG-ZW GR

THIS DRAWING IS A CONTROLLED DOCUMENT FOR TYCO ELECTRONICS CORPORATION IT IS SUBJECT TO CHANGE AND THE CONTROLLING ENGINEERING ORGANIZATION SHOULD BE CONTACTED FOR THE LATEST REVISION.		DWN: R. SCHNEIDER CHK: SCHNURPFIL APVD: - PRODUCT SPEC: - APPLICATION SPEC: - WEIGHT: -	13AUG2007 13AUG2007 tyco Electronics tyco Electronics AMP GmbH 53819 Neunkirchen (Germany)
DIMENSIONS: mm 	TOLERANCES UNLESS OTHERWISE SPECIFIED: 0 PLC ±- 1 PLC ±- 2 PLC ±- 3 PLC ±- 4 PLC ±- ANGLES ±1° FINISH	NAME: SURFACE MOUNTED HOUSING BOTTOM ENTRY - AG-ZVGR.HB.48 SIZE: A2 CAGE CODE: 00779 DRAWING NO: 1102237 RESTRICTED TO: -	SCALE: 5:1 SHEET: 1 OF 1 REV: A2

## X-ON Electronics

Largest Supplier of Electrical and Electronic Components

*Click to view similar products for [Heavy Duty Power Connectors](#) category:*

*Click to view products by [TE Connectivity](#) manufacturer:*

Other Similar products are found below :

[1424439](#) [1424438](#) [09330062652](#) [2-8675P1](#) [605601-1](#) [6340G1](#) [6341G1](#) [6360G1](#) [6373G1](#) [6374g2](#) [6396G1](#) [647757-1](#) [66394-4](#) [6643411-1](#)  
[6646058-2](#) [6646137-1](#) [6646138-1](#) [6646348-1](#) [6646479-1](#) [6646608-1](#) [6646786-1](#) [6646940-1](#) [6651091-1](#) [6651525-1](#) [6651529-1](#) [6651778-1](#)  
[6651788-1](#) [696465-1](#) [696475-1](#) [73000005059](#) [73000005349](#) [73000005642](#) [73080255059](#) [73080965046](#) [765-15-0080A](#) [765-16-0080B](#)  
[789.700-44](#) [789.700-54](#) [80-1010](#) [80-9](#) [827381-1](#) [829992-1](#) [902-77-02113](#) [PL00U-301-10D10](#) [PM103MOOLOO](#) [PM16S1620S32-50](#)  
[PM212MOOLOO](#) [PM309FOOLOO](#) [PM324FOOLCH](#) [PMHPAF11S03](#)