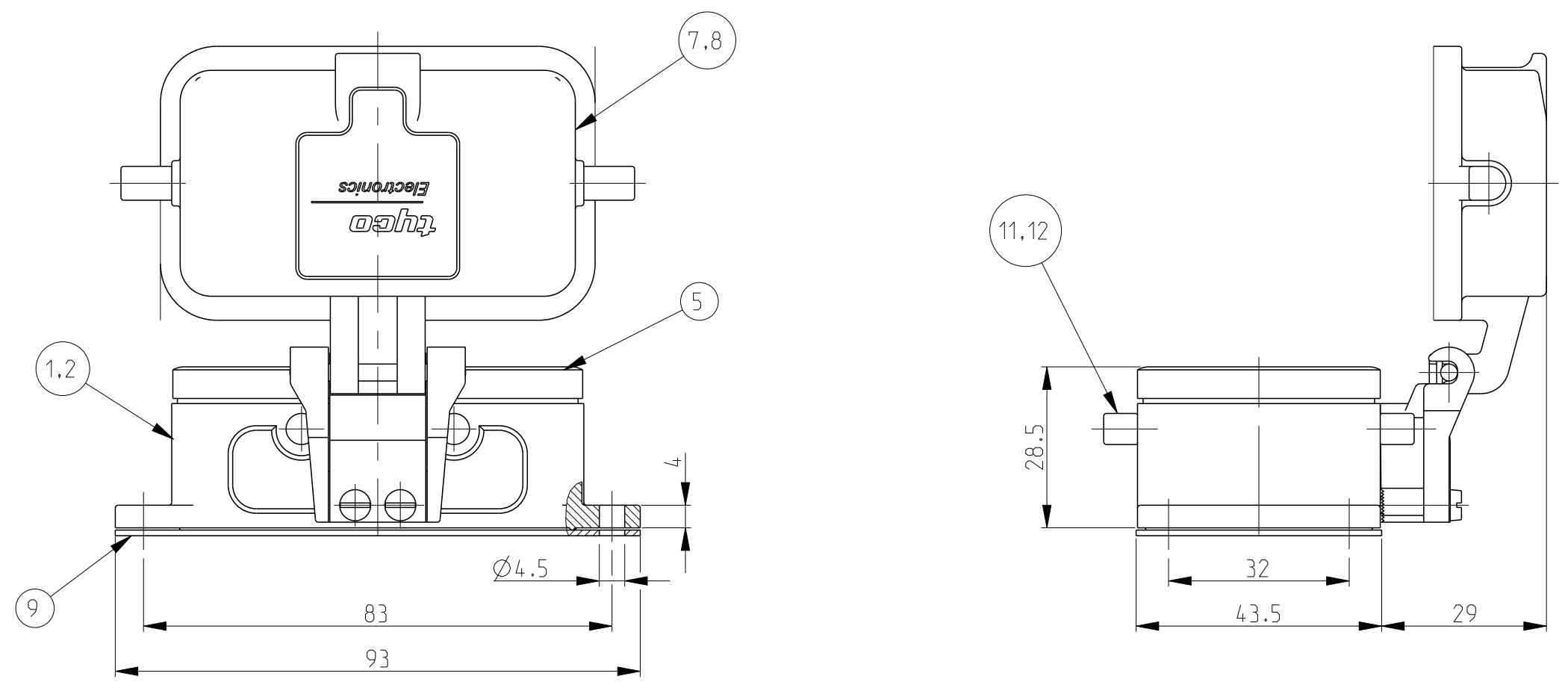
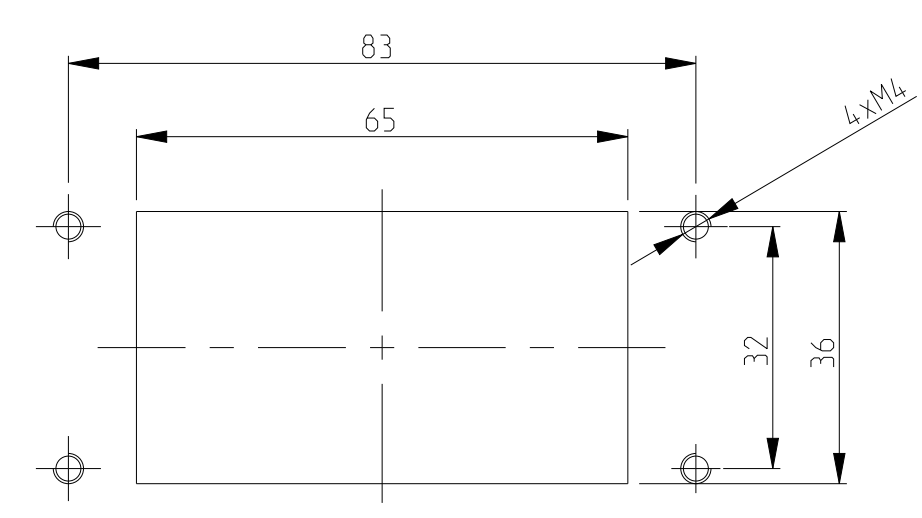


PN 1-6, 2-6 & 0-3



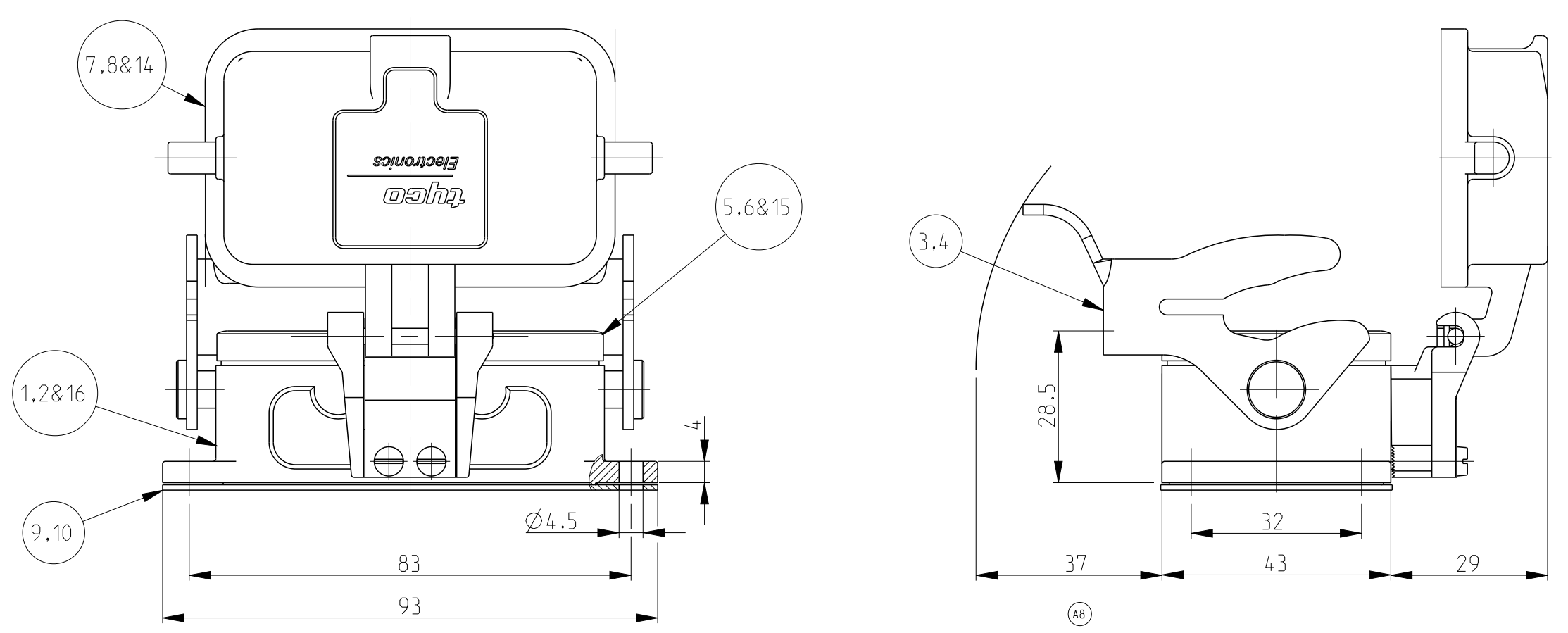
PANEL-CUT OUT



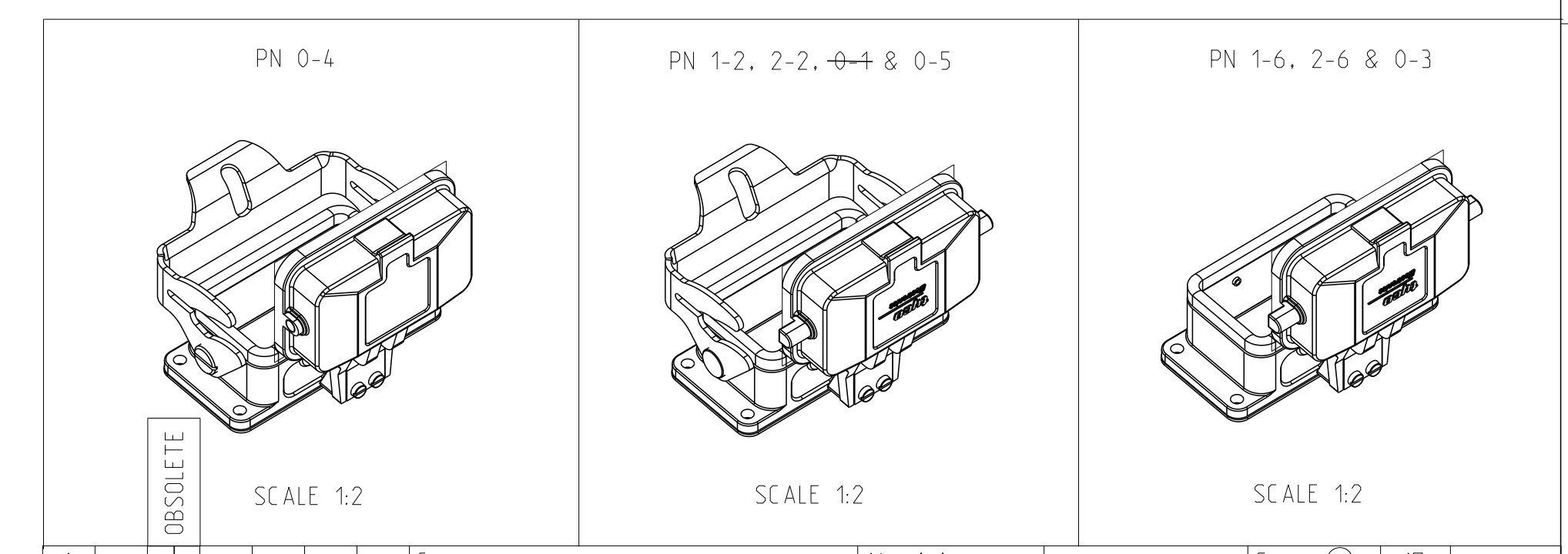
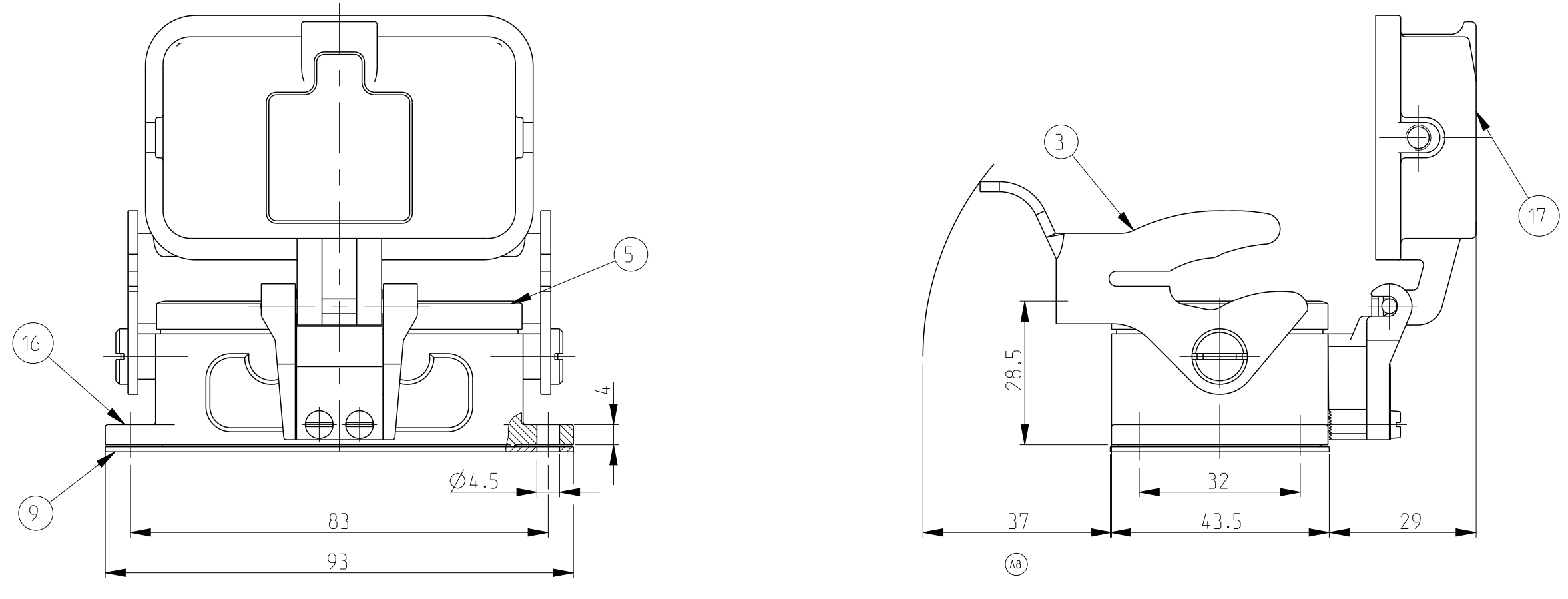
- NOTES
- Material : Housing : Aluminium diecasting alloy
 - Surface: Varnisch-Black
 -Aluminium oxide+Varnisch black
 -ChromitAl TCP-Passivation
 -Grey
 - Varnisch on the inside not necessary
 - Packaging
 Quantify 5 pieces in a box

REVISIONS				
P	LTM	DESCRIPTION	DATE	APVD
A8		ECR-09-015566	10JUL2009	SR GW
A9		ECR-16-015318	16AUG2017	GR MKO
A10		ECR-16-016768	15NOV2017	GR MKO

PN 1-2, 2-2 .0-1 & 0-5



PN 0-4



QTY	DESCRIPTION	MATERIAL	SURFACE	COLOR	ITEM NO	NOTES
1	Cover	Aluminium		Grey (4)	17	
1	Surface mounted housing bottom entry HB	Aluminium		Grey (4)	16	
1	Profile seal	Neoprene		Black	15	Conductive
1	Cover	Aluminium	SEE NOTE (A)	Black	14	
1	Surface mounted housing bottom entry HB-EMV	Aluminium	SEE NOTE (A)	Black	13	
4	Clip bolt	Stainless steel		Blank	12	
4	Clip bolt	Steel	Zinc plated	Blue	11	
	Flange seal	Viton		Black	10	
1	Flange seal	Neoprene		Black	9	
1	Cover	Aluminium	Aluminium oxide	Black	8	
1	Cover	Aluminium		Grey	7	
	Profile seal	Viton		Grey	6	
1	Profile seal	Neoprene		Black	5	
	LB-Side clip	Stainless steel		Blank	4	
1	LB-Side clip	Steel	Zinc plated	Blue	3	
1	Surface mounted housing bottom entry HB-K	Aluminium	Aluminium Oxide	Black	2	
1	Surface mounted housing bottom entry HB	Aluminium		Grey	1	
0-5	DESCRIPTION	MATERIAL	SURFACE	COLOR	ITEM NO	NOTES
HB-10-AGD-LB						
HB-EMV-10-AGD-LB						
HB-K-10-AGD-LB-V						
HB-K-10-AGD						
HB-K-10-AGD-LB						
HB-10-AGD-LB						
ORDERING TEXT						

THIS DRAWING IS A CONTROLLED DOCUMENT. DWN: 18.05.2000
 CKE: 18.05.2000
 SCHWEIGER

DIMENSIONS: mm

TOLERANCES UNLESS OTHERWISE SPECIFIED:
 0 PLC ±
 1 PLC ±
 2 PLC ±
 3 PLC ±
 4 PCC ±
 ANGLES ±

MATERIAL FINISH

WEIGHT

CUSTOMER DRAWING

NAME: Surface mounted housing bottom entry HB.10.AGD

SIZE: A1 CAGE CODE: 00779 DRAWING NO: 1102283

SCALE: 1:1 SHEET: 1 OF 1

REV: A10

X-ON Electronics

Largest Supplier of Electrical and Electronic Components

Click to view similar products for [Heavy Duty Power Connectors](#) category:

Click to view products by [TE Connectivity](#) manufacturer:

Other Similar products are found below :

[1424439](#) [1424438](#) [09330062652](#) [2-8675P1](#) [605601-1](#) [6340G1](#) [6341G1](#) [6360G1](#) [6373G1](#) [6374g2](#) [6396G1](#) [647757-1](#) [66394-4](#) [6643411-1](#)
[6646058-2](#) [6646137-1](#) [6646138-1](#) [6646348-1](#) [6646479-1](#) [6646608-1](#) [6646786-1](#) [6646940-1](#) [6651091-1](#) [6651525-1](#) [6651529-1](#) [6651778-1](#)
[6651788-1](#) [696465-1](#) [696475-1](#) [73000005059](#) [73000005349](#) [73000005642](#) [73080255059](#) [73080965046](#) [765-15-0080A](#) [765-16-0080B](#)
[789.700-44](#) [789.700-54](#) [80-1010](#) [80-9](#) [827381-1](#) [829992-1](#) [902-77-02113](#) [PL00U-301-10D10](#) [PM103MOOLOO](#) [PM16S1620S32-50](#)
[PM212MOOLOO](#) [PM309FOOLOO](#) [PM324FOOLCH](#) [PMHPAF11S03](#)