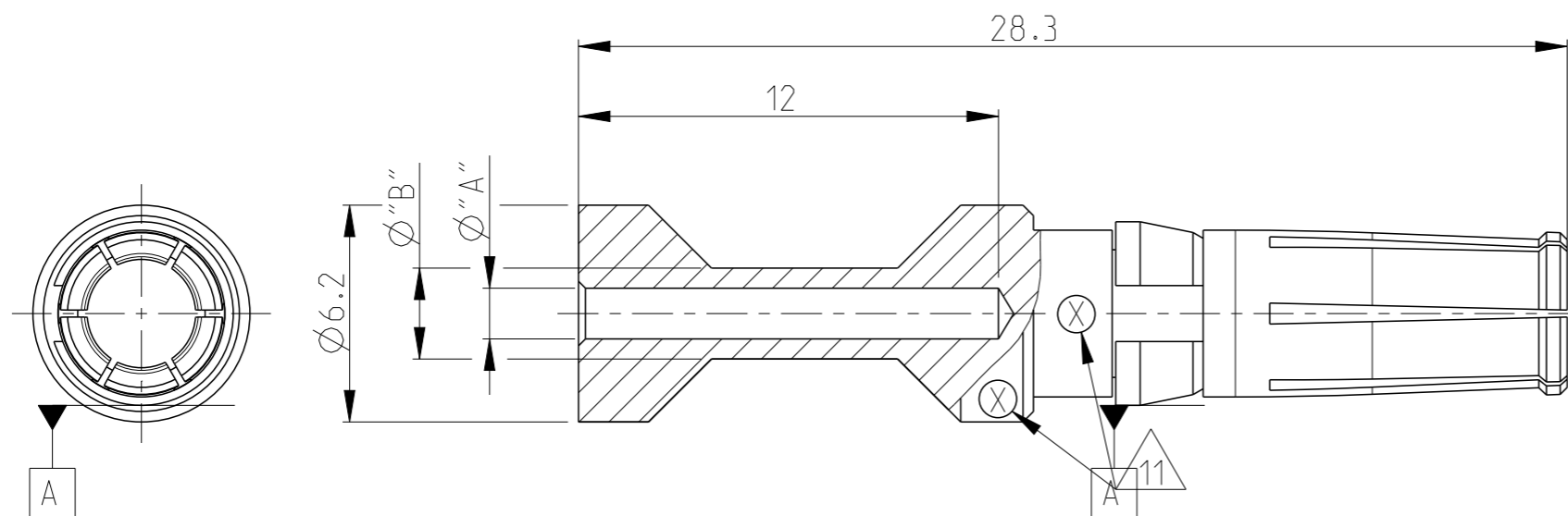


REVISIONS

P	LTR	DESCRIPTION	DATE	DWN	APVD
A2		PN3-2; 5-2; 6-2 OBSOLETE	Eg00-1426-03	15.05.03	SR SM
A3		ECR-09-005436		11MAR2010	VG MH
A4		ECR-16-016696		18AUG2017	GCM MKO



Notes

- 1 MATERIAL: BRASS
- 2 FINISH SILVER PLATING: 2 μm Ag MIN. OVER Cu
- 3 FINISH GOLD PLATING: 0.75 μm Au MIN. OVER Ni
- 4 NO VENTILATION HOLE REQUIRED AT CROSS-SECTION >4.0 MM²
- 5 WEIGHT: 2.8 g, VOLUME: 324mm³ (APPROX.)
- 6 SUITABLE PIN CONTACT: CUSTOMER DRAWING 1105251
- 7 SUITABLE INSERTS: SERIES HSM, CUSTOMER DRAWING
- 8 SUITABLE CRIMP TOOL: PN 1-1105850-8
- 9 SUITABLE INSERTION TOOL: PN 0-1102855-6
- 10 SUITABLE EXTRACTION TOOL: PN 0-1102855-4
- 11 CROSS-SECTION MARKING
- 12 STANDARDS: DIN EN 61984, DIN EN 60664-1

ORDERING TEXT	PLATING	CROSS SECTION	DIMENSIONS	CROSS-SECTION MARKINGS	STRIPPING-LENGTH
OBSOLETE		HSM.Bu.C.Au 10.0mm ²	10	4.35 5.9	8 12
OBSOLETE		HSM.Bu.C.Au 6.0mm ²	6.0	3.5 4.9	7 12
OBSOLETE		HSM.Bu.C.Au 4.0mm ²	4.0	2.85 3.9	6 12
OBSOLETE		HSM.Bu.C.Au 2.5mm ²	2.5	2.2 3.2	5 12
OBSOLETE		HSM.Bu.C.Au 1.5mm ²	1.5	1.8 3.0	4 12
OBSOLETE		HSM.Bu.C.Au 0.75mm ²	0.75-1.0	1.45 2.6	3 12
		HSM.Bu.C.Ag 10.0mm ²	10	4.35 5.9	8 12
		HSM.Bu.C.Ag 6.0mm ²	6.0	3.5 4.9	7 12
		HSM.Bu.C.Ag 4.0mm ²	4.0	2.85 3.9	6 12
		HSM.Bu.C.Ag 2.5mm ²	2.5	2.2 3.2	5 12
		HSM.Bu.C.Ag 1.5mm ²	1.5	1.8 3.0	4 12
		HSM.Bu.C.Ag 0.75mm ²	0.75-1.0	1.45 2.6	3 12
		[MM ²]	"A"	"B"	[mm]

PARTS LIST

THIS DRAWING IS A CONTROLLED DOCUMENT.

DWN K.SCHROEDER 03APR2008
 CHK H.BRAUN 03APR2008
 APVD T.SCHNURPFIL 03APR2008

TE Connectivity

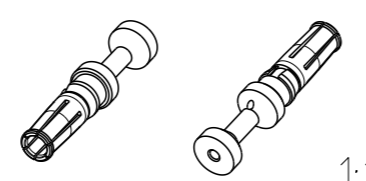
NAME SOCKET CONTACT SERIES HSM

PRODUCT SPEC APPLICATION SPEC WEIGHT

SIZE A3 CAGE CODE 00779 DRAWING NO C=1105251 RESTRICTED TO -

CUSTOMER DRAWING SCALE 5:1 SHEET 1 OF 1 REV A4

DIMENSIONS:	TOLERANCES UNLESS OTHERWISE SPECIFIED:
mm	0 PLC ±
	1 PLC ±
	2 PLC ±
	3 PLC ±
	4 PLC ±
	ANGLES ±0.5°



X-ON Electronics

Largest Supplier of Electrical and Electronic Components

Click to view similar products for [Heavy Duty Power Connectors](#) category:

Click to view products by [TE Connectivity](#) manufacturer:

Other Similar products are found below :

[1424439](#) [1424438](#) [09330062652](#) [2-8675P1](#) [605601-1](#) [6340G1](#) [6341G1](#) [6360G1](#) [6373G1](#) [6374g2](#) [6396G1](#) [647757-1](#) [66394-4](#) [6643411-1](#)
[6646058-2](#) [6646137-1](#) [6646138-1](#) [6646348-1](#) [6646479-1](#) [6646608-1](#) [6646786-1](#) [6646940-1](#) [6651091-1](#) [6651525-1](#) [6651529-1](#) [6651778-1](#)
[6651788-1](#) [696465-1](#) [696475-1](#) [73000005059](#) [73000005349](#) [73000005642](#) [73080255059](#) [73080965046](#) [765-15-0080A](#) [765-16-0080B](#)
[789.700-44](#) [789.700-54](#) [80-1010](#) [80-9](#) [827381-1](#) [829992-1](#) [902-77-02113](#) [PL00U-301-10D10](#) [PM103MOOLOO](#) [PM16S1620S32-50](#)
[PM212MOOLOO](#) [PM309FOOLOO](#) [PM324FOOLCH](#) [PMHPAF11S03](#)