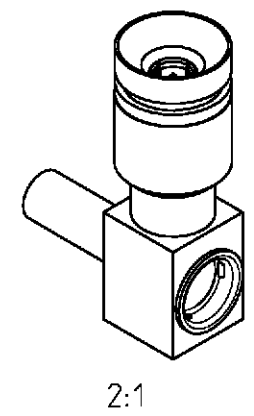
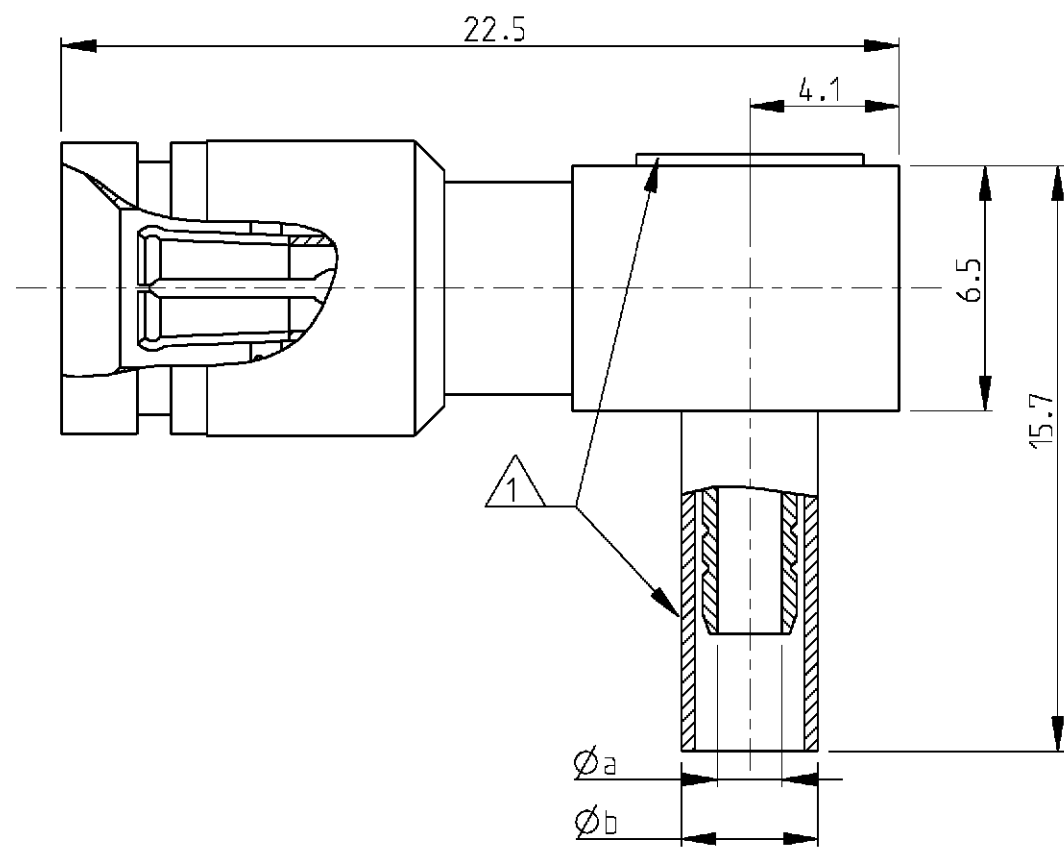


THIS DRAWING IS UNPUBLISHED. RELEASED FOR PUBLICATION 2000
 © COPYRIGHT 2000 BY TYCO ELECTRONICS CORPORATION. ALL RIGHTS RESERVED.

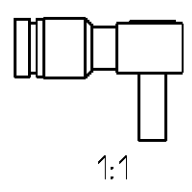
LOC	DIST	REVISIONS				
P	LTR	DESCRIPTION	DATE	DWN	APVD	
GW	-	A	-	05APR2001	CM	KM
		A1	REVISE PER ECO-17-007972	12JAN2017	LN	RS



2. Mating face according to DIN 47297 and CECC 22230
 1 Supplied as loose part

Old Nr	Tyco Nr	Cable type	Dim a	Dim b	Description	Material	Plating
	V23614-B263-P76	9-1393670-2 02Y(ST)CY 0.45/2.0	2.15	5.2	Dielectric PTFE Outer Con. Cu Be Center Con. Brass	1µm Au min in contact area	
	V23614-B202-P25	9-1393670-1 ST 214	3.8	7.93	Dielectric PTFE Outer Con. Cu Be Center Con. Brass	1µm Au min in contact area	
	V23614-A263-P76	7-1393670-0 02Y(ST)CY 0.45/2.0	2.15	5.2	Dielectric PTFE Outer Con. Cu Be Center Con. Brass	1µm Au min in contact area	
	V23614-A263-P34A	5-1419149-0 Pirelli s353/164	2.35	6.4	Dielectric PTFE Outer Con. Cu Be Center Con. Brass	1µm Au min in contact area	
OBSOLETE	V23600-A263-P71	2-1393670-6 RG179 B/U RG316/U	1.7	3.6	Dielectric PTFE Outer Con. Cu Be Center Con. Brass	1µm Au min in contact area	

OBSOLETE



<small>THIS DRAWING IS A CONTROLLED DOCUMENT FOR TYCO ELECTRONICS CORPORATION. IT IS SUBJECT TO CHANGE AND THE CONTROLLING ENGINEERING ORGANIZATION SHOULD BE CONTACTED FOR THE LATEST REVISION.</small>		DWN MOROBE 2APR2001 CHK MATTHEEUS 3APR2001 APVD BOZZER 5APR2001		tyco Electronics Tyco Electronics Oostkamp - Belgium	
DIMENSIONS: - TOLERANCES UNLESS OTHERWISE SPECIFIED: 0 PLC ± 1 PLC ±0.5 2 PLC ±0.13 3 PLC ±0.013 4 PLC ±0.0001 ANGLES ±		PRODUCT SPEC 108-71032 APPLICATION SPEC 114-71010 WEIGHT -		NAME CABLE ANGLE PLUG 1.0/2.3 50/75 Ohm SIZE A3 CAGE CODE 00779 DRAWING NO C-2-1393670-6 RESTRICTED TO -	
MATERIAL - FINISH -		SCALE 10/1 SHEET 1 OF 1 REV A1			

X-ON Electronics

Largest Supplier of Electrical and Electronic Components

Click to view similar products for [RF Connectors / Coaxial Connectors](#) category:

Click to view products by [TE Connectivity](#) manufacturer:

Other Similar products are found below :

[R125315120](#) [8915-1511-000](#) [89674-0827](#) [5916-1103-603](#) [0106-001-000](#) [6-0001-3](#) [6001-7071-019](#) [6002-7051-003](#) [6002-7551-202](#) [6059674-1](#) [619550-1](#) [630059-000](#) [M39012/25-0021](#) [M39012/79-3008](#) [M39030/3-01N](#) [M39030/3-03N](#) [M3933/25-36N](#) [6500-7071-046](#) [6501-1071-002](#) [M83723/72W2457N](#) [6769](#) [CX050L2AQ](#) [7002-1541-010](#) [7002-1572-002](#) [7003-1572-002](#) [7004-1512-000](#) [7009-1511-004](#) [7010-1511-000](#) [7029-1511-060](#) [7101-1541-010](#) [7101-1571-002](#) [7105-1521-002](#) [7145-1521-002](#) [7209-1511-011](#) [7210-1511-012](#) [7210-1511-015](#) [7210-1511-019](#) [7210-1511-040](#) [7225-1512-050](#) [7242-1511-000](#) [73137-5015](#) [73251-0111](#) [73251-0672](#) [73276-1501](#) [73366-0013](#) [73404-2300](#) [73413-6080](#) [73415-5721](#) [7405-1521-005](#) [7405-1521-802](#)