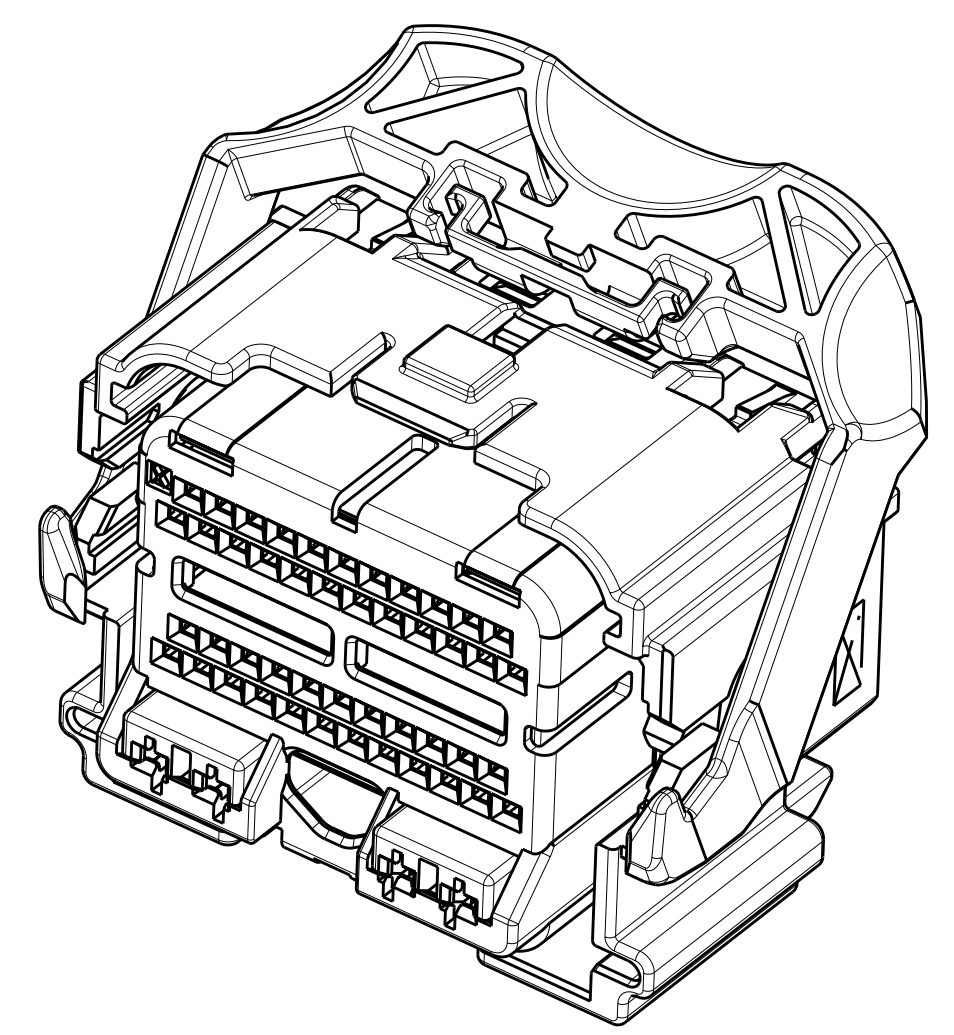
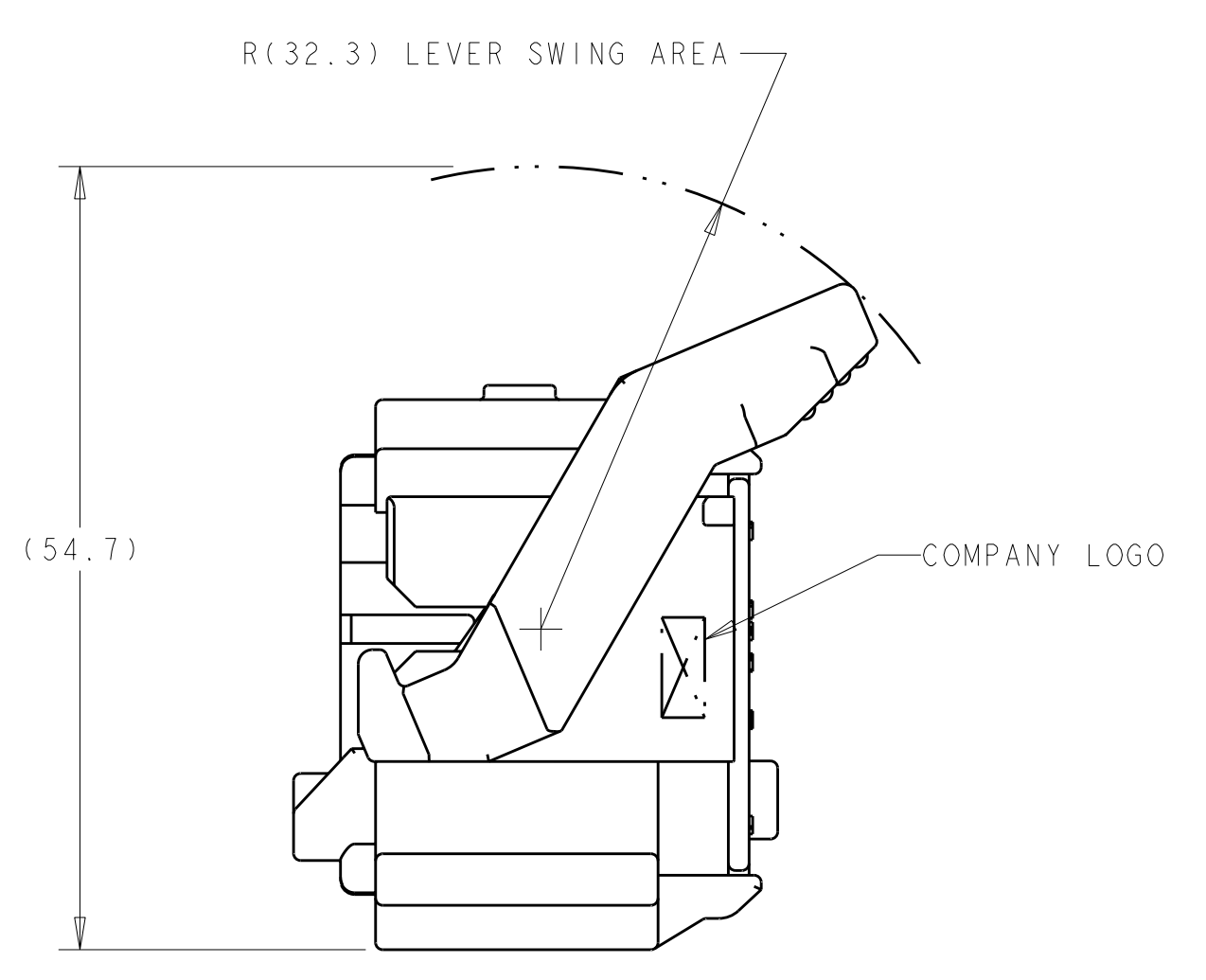
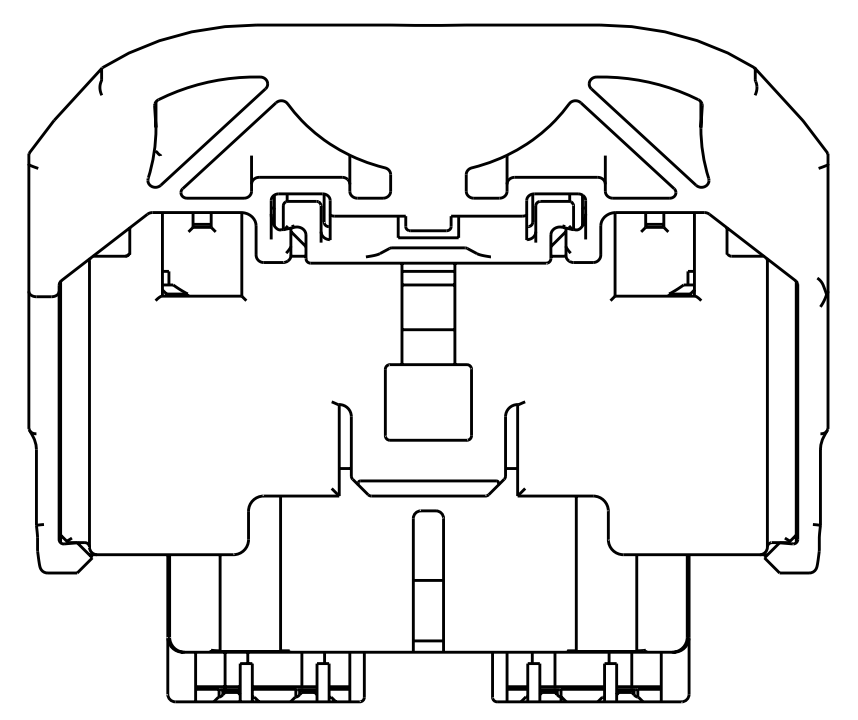


LOC	DIST	REV	DATE	BY	APP'D
FX	00	A11	22NOV2010	DLD	DCM

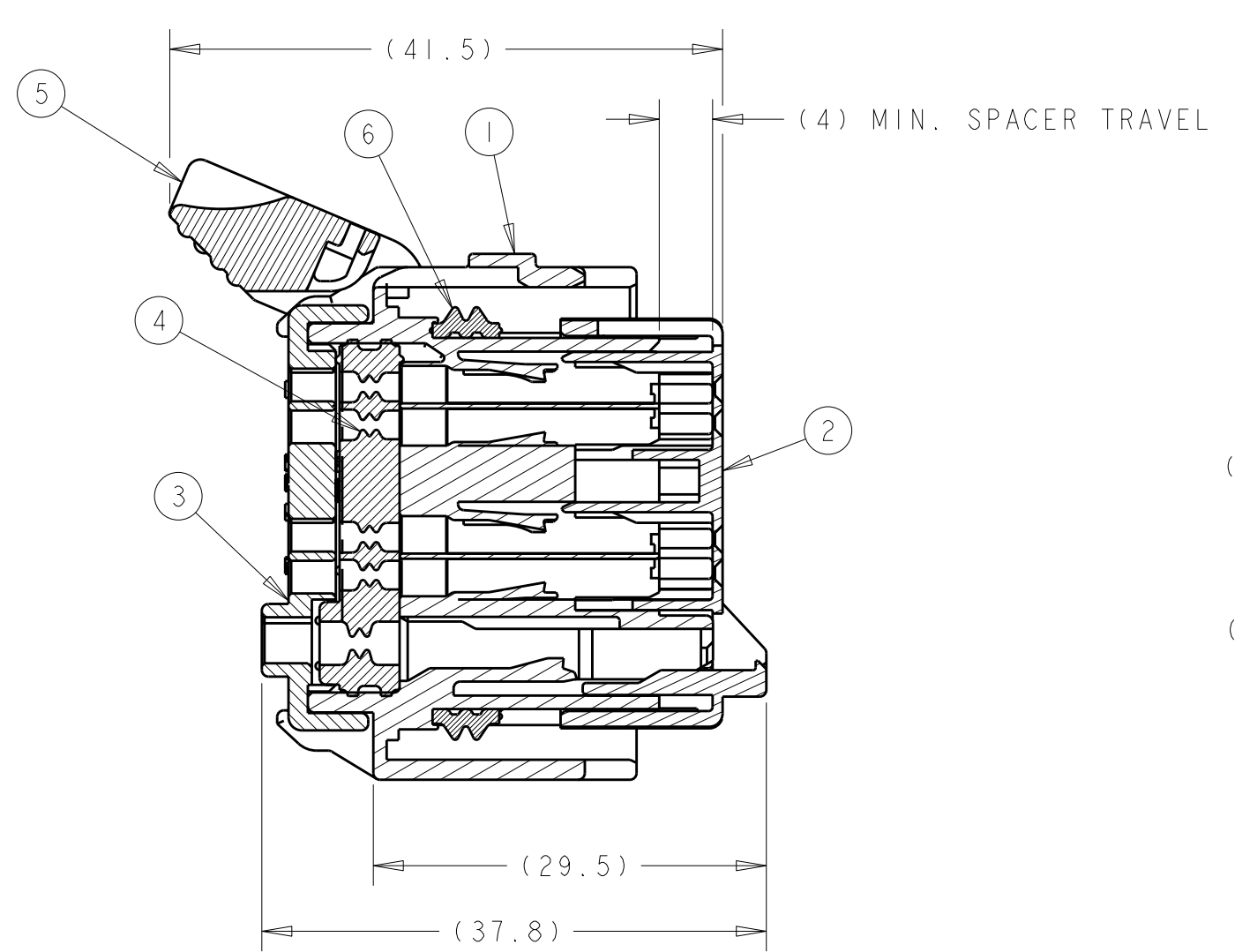


PART NUMBER:
1438693-1
SHOWN WITH SPACER
IN SEATED POSITION
SCALE 2:1

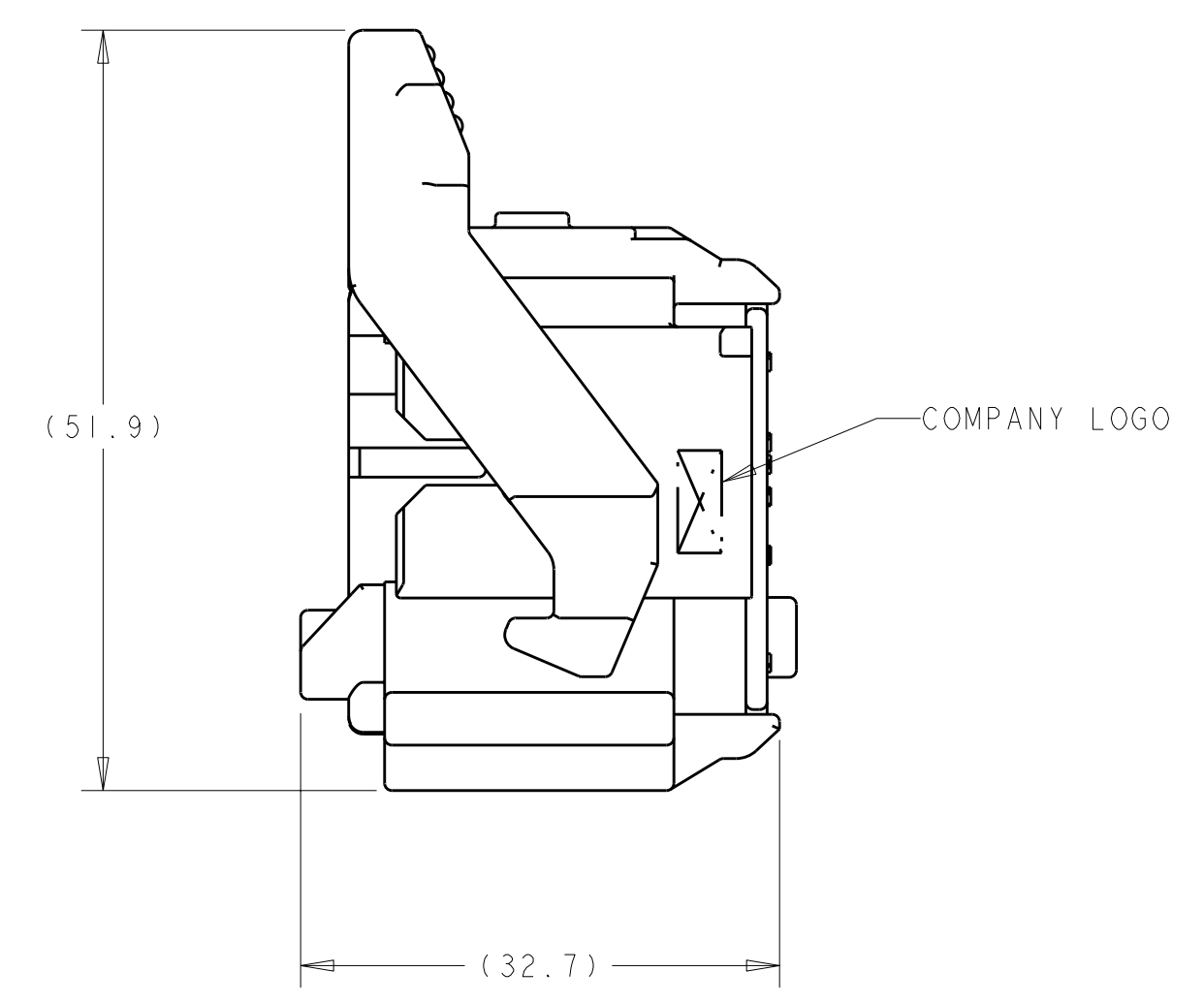
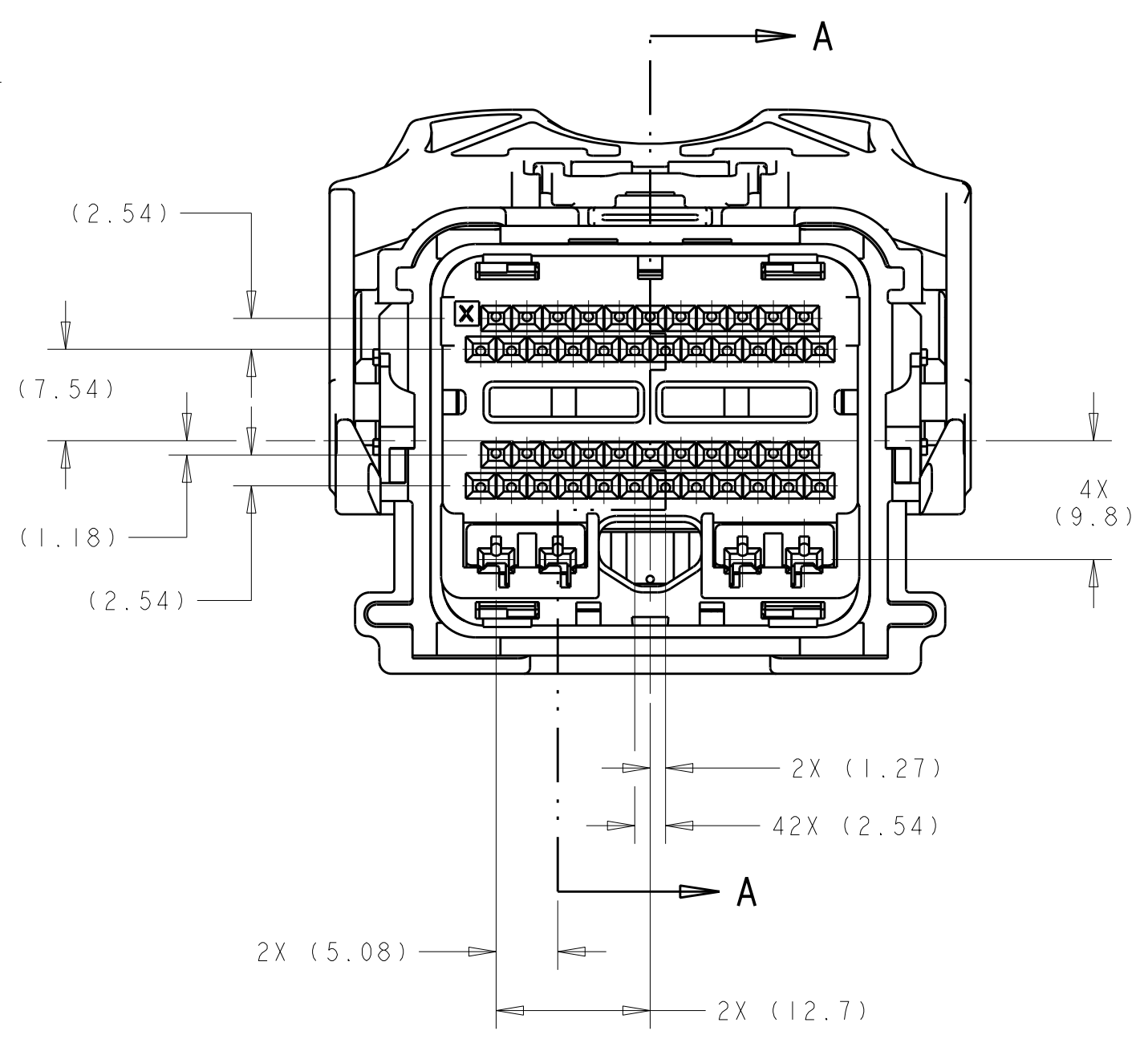


SHOWN WITH SPACER IN SEATED POSITION

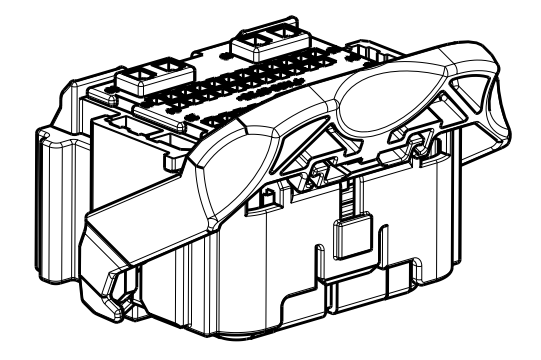
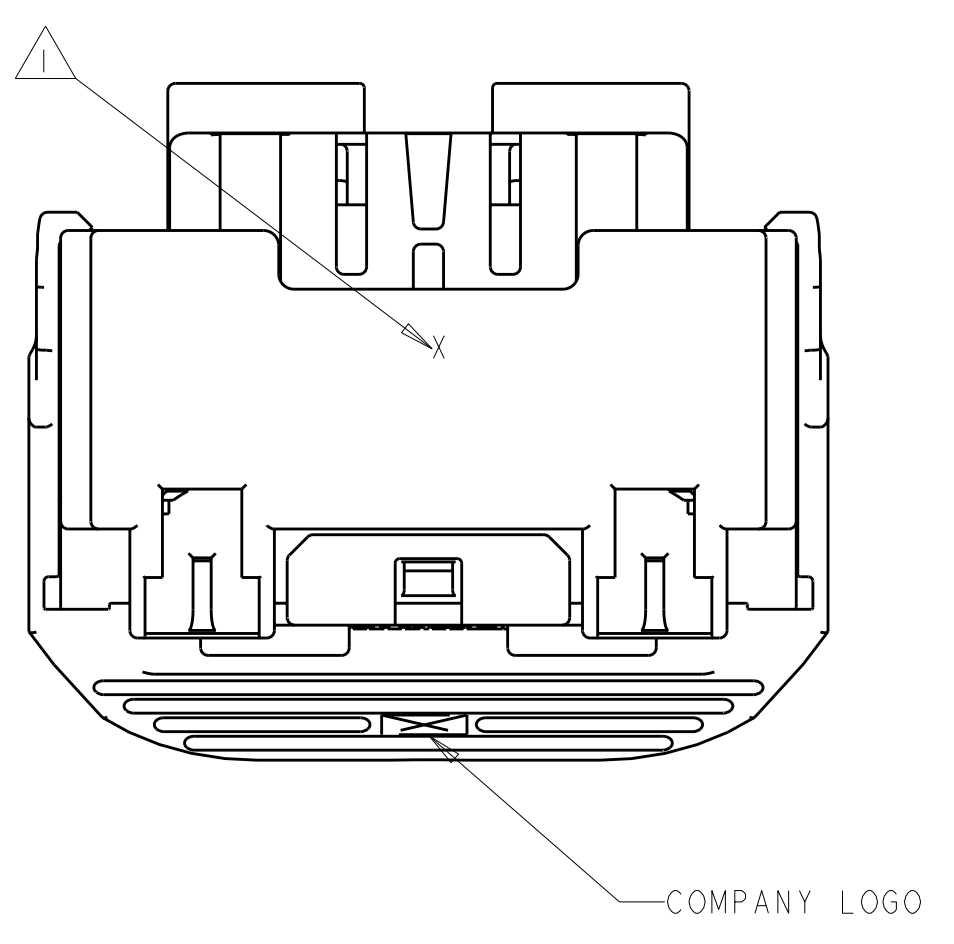
- △ PRINT TYCO ELECTRONICS PART NUMBER AND TRACEABILITY (YY : 2 DIGIT YEAR, JJJ = JULIAN DATE, HH = 2 DIGIT MILITARY HOUR CODE) IN THE LOCATION AT ASSEMBLY.
- △ OPTIONAL WIRE SHIELD PART NUMBERS (SOLD SEPARATELY) 1438126, 1438180, 1488373, AND 1488572. CONTACT TYCO ELECTRONICS ENGINEER FOR MINIMUM FEED THRU CONDITION.
- 3. APPLICABLE TERMINAL PART NUMBERS (SOLD SEPARATELY)
 FOR TIN APPLICATIONS: 1393367 AND 1393366
 FOR GOLD APPLICATIONS: 1393365 AND 1393364
 FOR TERMINATION AND REELING OPTIONS SEE DRAWINGS 1393367, 1393366, 1393365, AND 1393364.
- 4. APPLICABLE MOLEX (1.5) POWER TERMINAL PART NUMBERS:
 33012-0002 TIN 0.50-1.50mm²
- 5. CAM LEVER AND SPACER ARE SHIPPED IN THEIR PRE-ASSEMBLED POSITIONS.



SECTION A-A
SPACER AND LEVER IN
PRE-SEATED POSITION
(DELIVERY CONDITION)



SHOWN WITH CAM
LEVER AND SPACER
IN LOADED POSITION



SCALE 1:1

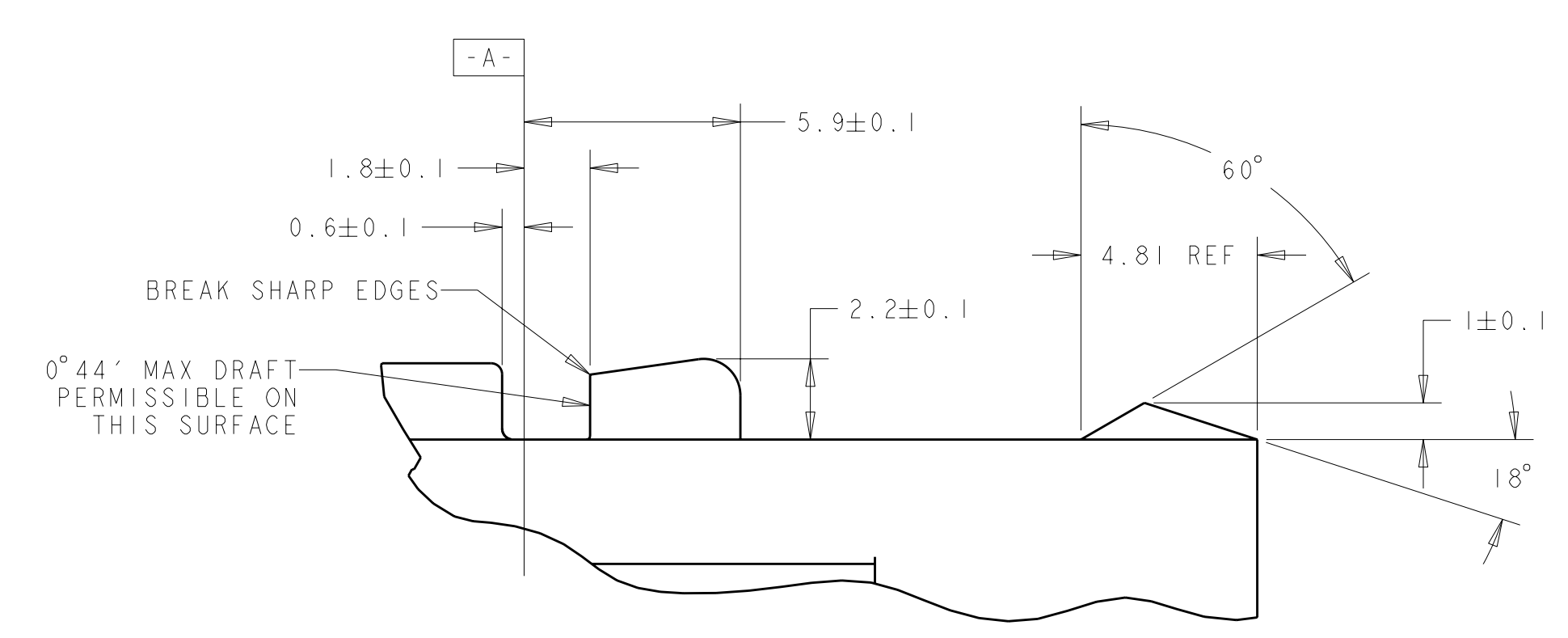
PART COLOR	DESCRIPTION	ITEM NO.
GREEN	PERIMETER SEAL	6
GRAY	LEVER	5
BROWN	GROMMET SEAL	4
BLACK	COVER	3
NATURAL	SPACER	2
BLACK	HARNESS, KEY "C"	1

DIMENSIONS: mm 		TOLERANCES UNLESS OTHERWISE SPECIFIED: 9 PLC ± 1 PLC ±0.3 2 PLC ±0.10 3 PLC ± 4 PLC ± ANGLES ±1° FINISH		DWN B. CRISAMORE 21 JUL 2004 CHK M. HITCHCOCK 21 JUL 2004 APVD C. MARTIN 21 JUL 2004 NAME PRODUCT SPEC APPLICATION SPEC WEIGHT CUSTOMER DRAWING		Tyco Electronics Harrisburg, PA 17105-3608 NAME PCMC 50-WAY HARNESS ASSEMBLY KEY C SIZE CAGE CODE DRAWING NO A11 00779 C=1438693 SCALE 2:1 SHEET 1 OF 4 REV ALL	
-----------------------	--	--	--	--	--	---	--

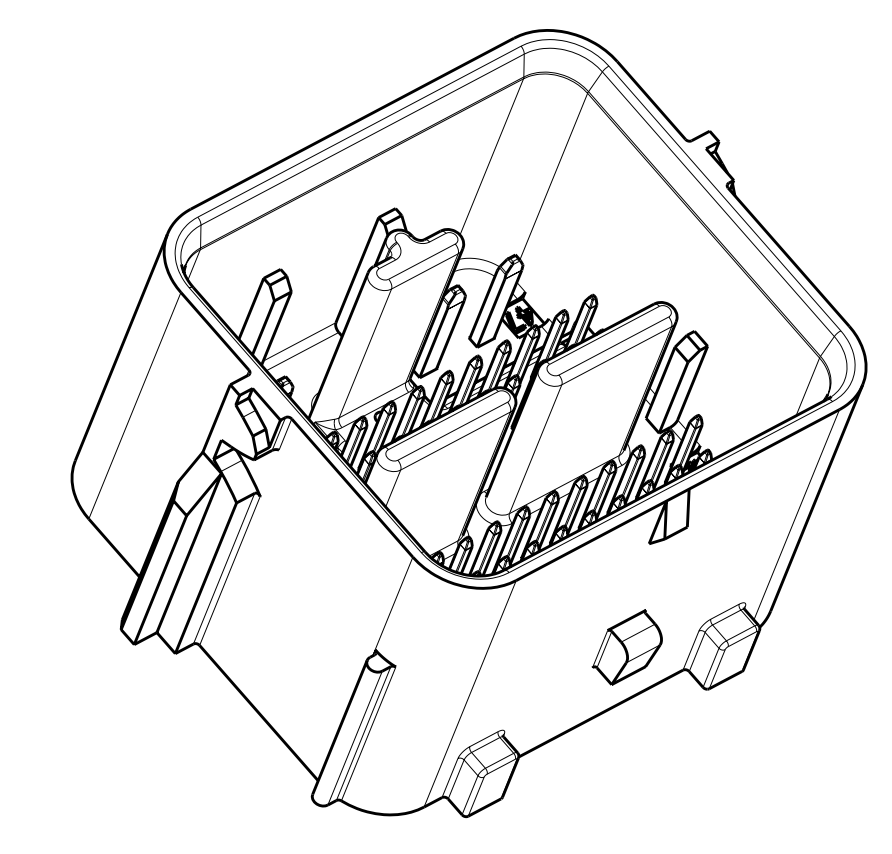
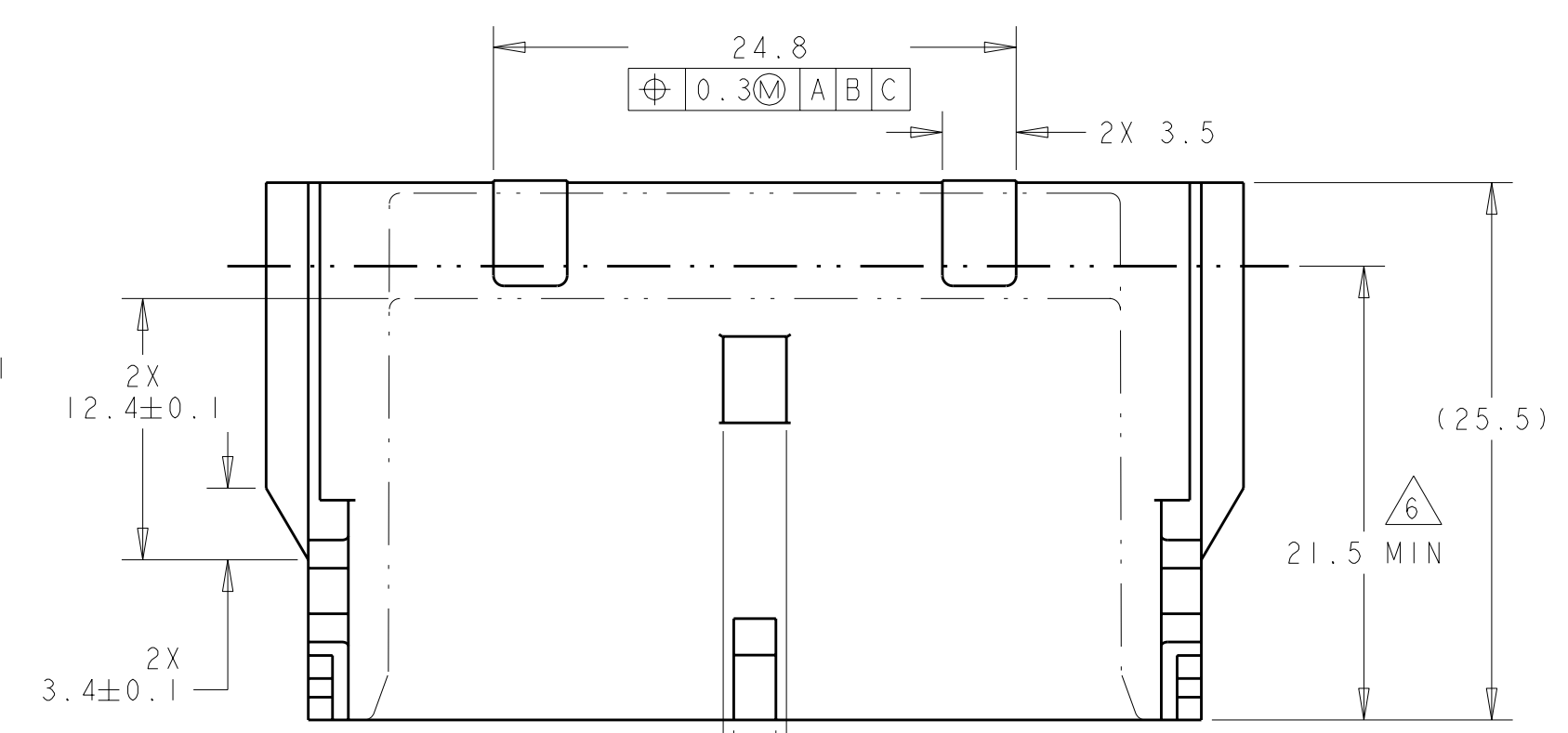
APPLICABLE HEADER INTERFACE SPECIFICATION

SHOWN WITHOUT KEYING OPTIONS

LOC	DIST	REVISIONS			
FX	00	REV	DATE	BY	APP'D
		1	SEE SHEET 1		

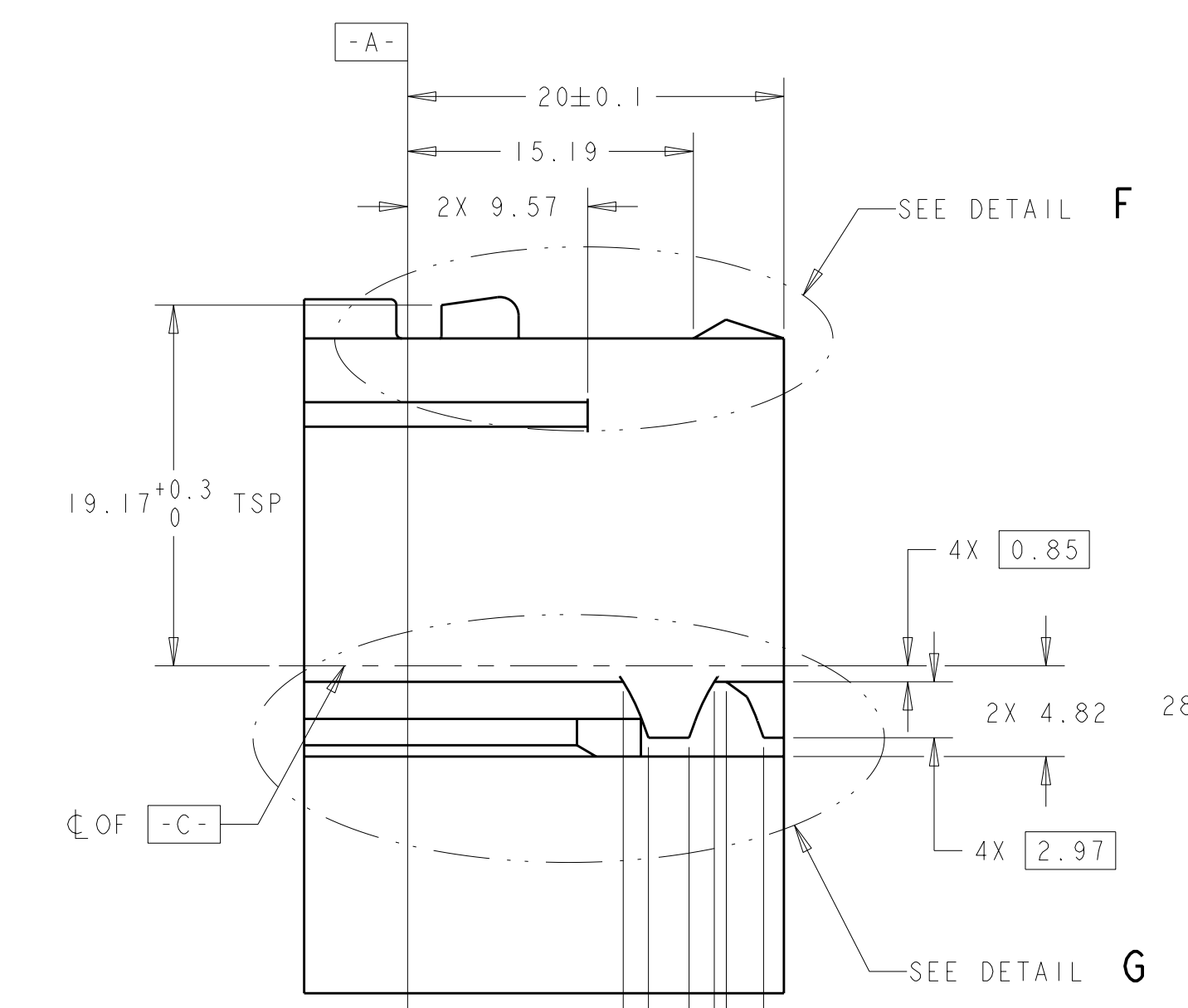


DETAIL F
SCALE 6:1

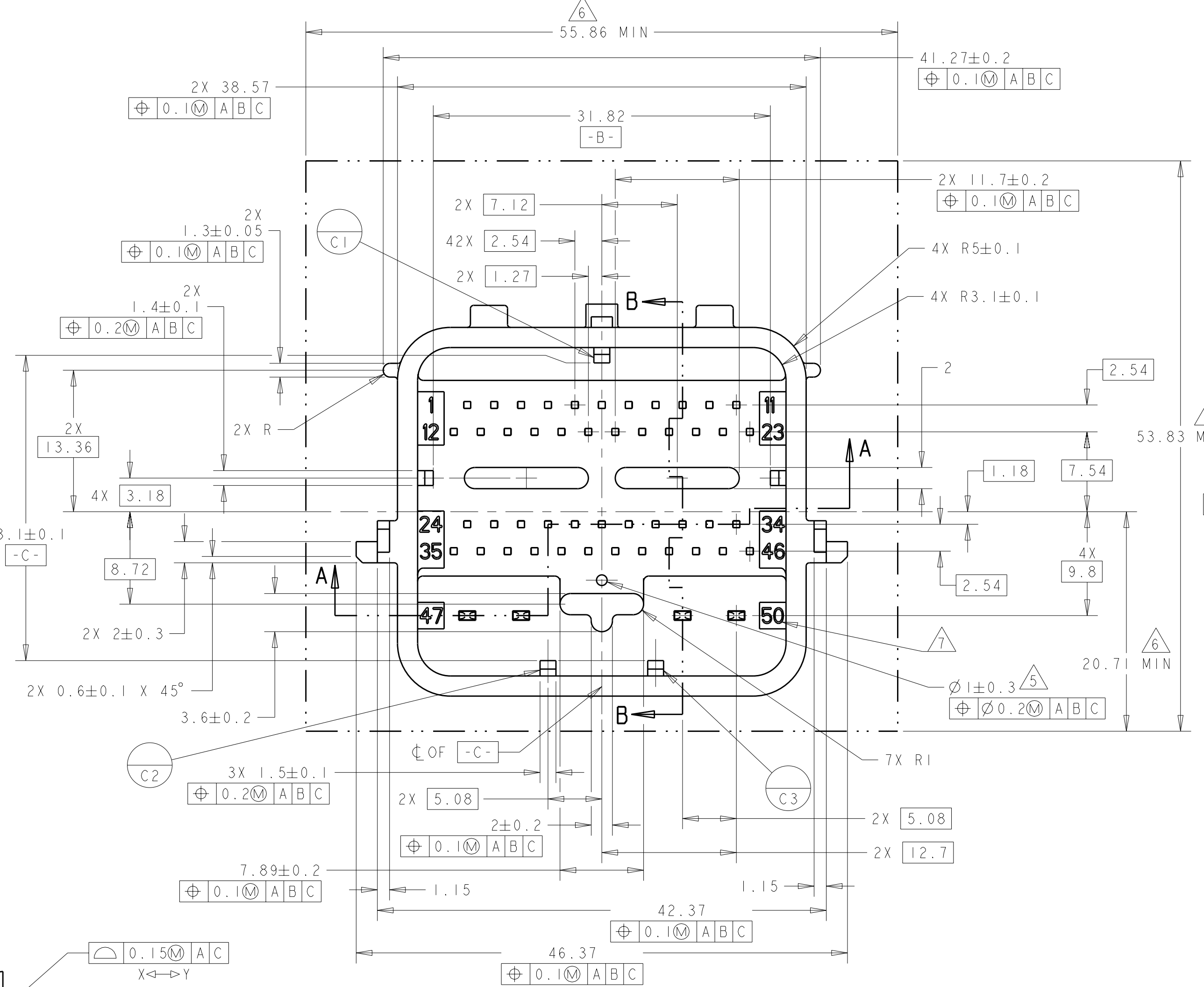


SCALE 2:1

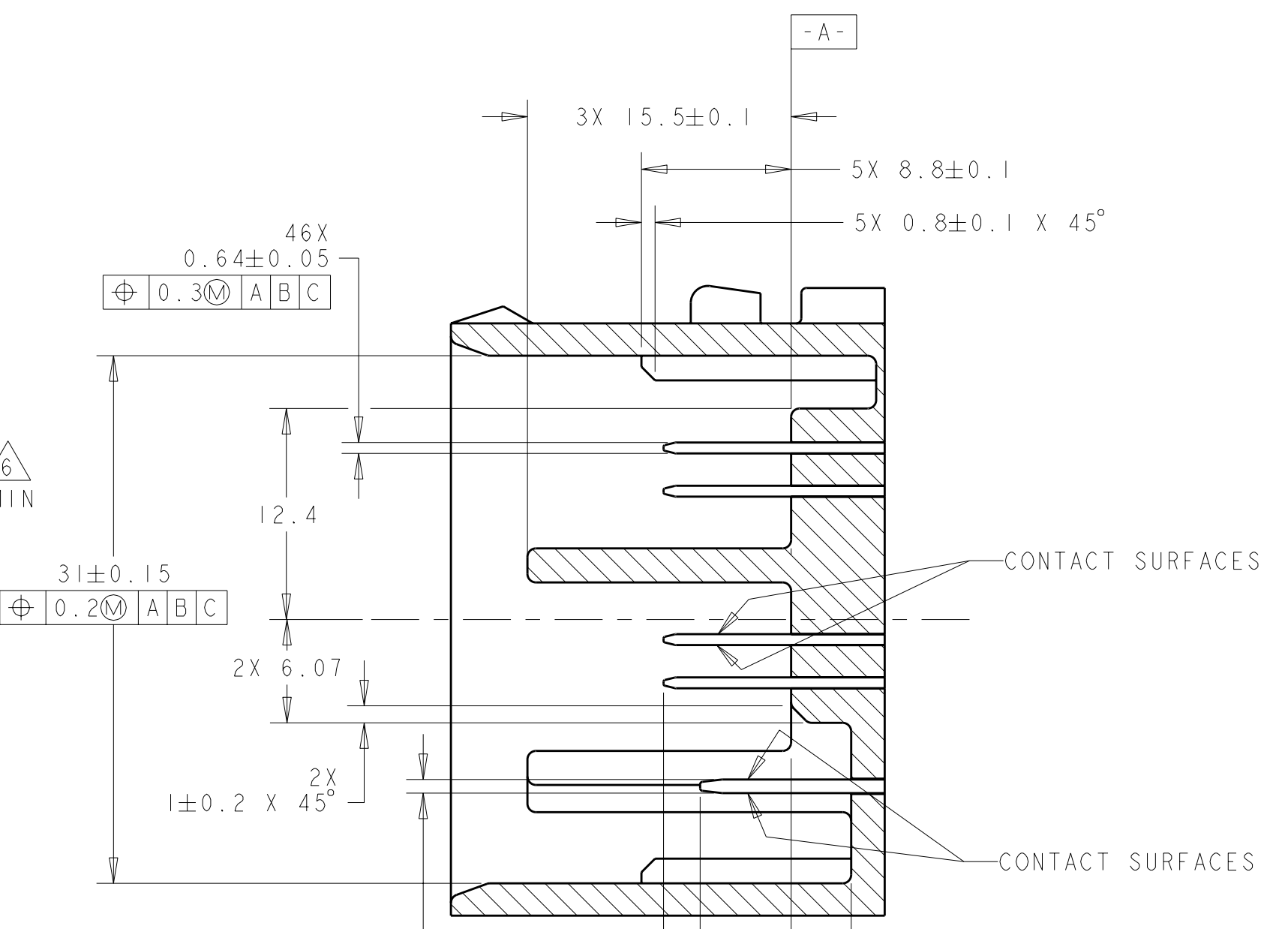
- NOTES: UNLESS OTHERWISE SPECIFIED
1. GENERAL TOLERANCE:
 ±0.3 ALL ONE PLACE DIMENSIONS
 ±0.10 ALL TWO PLACE DIMENSIONS
 ±1°00" ALL ANGULAR DIMENSIONS
 2. DRAFT ANGLE PERMISSIBLE ONLY WITHIN DRAWING TOLERANCE.
 3. SEALING SURFACE, NO WITNESS LINES OR DAMAGE PERMITTED.
 4. ALL UNMARKED RADII TO BE 0.5 MAX., UNLESS OTHERWISE SPECIFIED.
 5. VENT HOLE SIZE AND LOCATION IS OPTIONAL.
 6. THIS AREA TO REMAIN CLEAR FOR THE HARNESS ASSEMBLY.
 7. TERMINAL POSITION IDENTIFICATION.



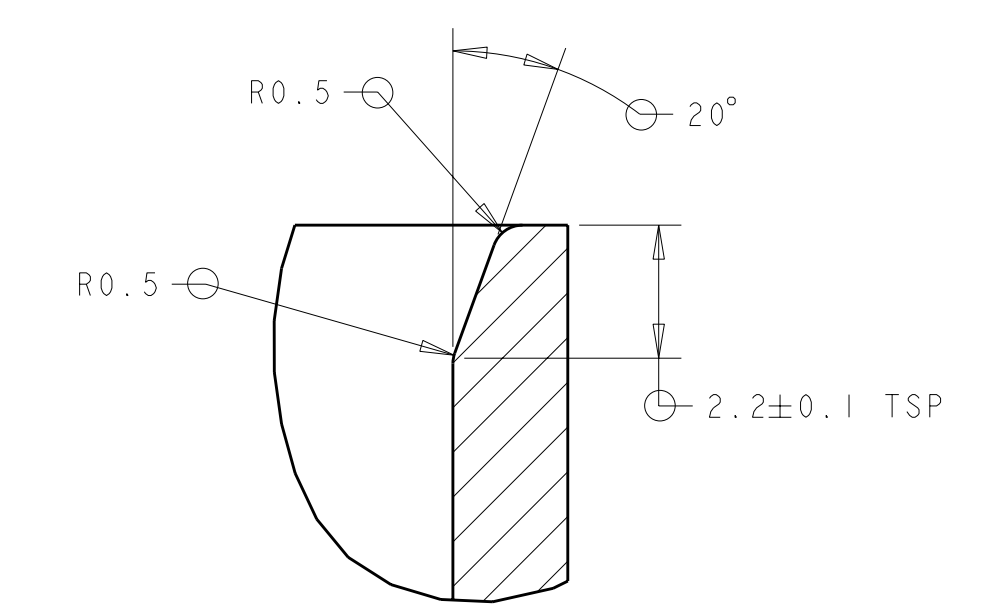
DETAIL G
SCALE 6:1
2 PLC



SECTION A-A



SECTION B-B



DETAIL E
SCALE 8:1

DIMENSIONS:		TOLERANCES UNLESS OTHERWISE SPECIFIED:		MATERIAL:		FINISH:		WEIGHT:		CUSTOMER DRAWING:	
mm	PLC	±	0.3								
	PLC	±	0.10								
	PLC	±									
	PLC	±									
	PLC	±									

DWN	B. CRISAMORE	21 JUL 2004		Tyco Electronics	Harrisburg, PA 17105-3608
CHK	M. HITCHCOCK	21 JUL 2004		NAME	PCM
APVD	C. MARTIN	21 JUL 2004		PRODUCT SPEC	50-WAY HARNESS ASSEMBLY
APVD	C. MARTIN	21 JUL 2004		APPLICATION SPEC	KEY C
SIZE	CAGE CODE	DRAWING NO	RESTRICTED TO		
A1	00779	C=1438693			

X-ON Electronics

Largest Supplier of Electrical and Electronic Components

Click to view similar products for [Automotive Connectors](#) category:

Click to view products by [TE Connectivity](#) manufacturer:

Other Similar products are found below :

[003-018-000](#) [600858](#) [60403001](#) [60993906-B](#) [60993913-B](#) [629515004020001](#) [M902-2131](#) [M902-2161](#) [M902-2344](#) [72.330.1035.1](#)
[73.353.4028.0](#) [F118010](#) [F119300-B](#) [F132210](#) [F132210-B](#) [F166900](#) [F180100](#) [F258300](#) [F258300-B](#) [F294300-B](#) [F339100](#) [F339700](#) [F358300-](#)
[B](#) [F374110](#) [F407400](#) [F412210](#) [F427600](#) [F444110](#) [F487000](#) [F495100-B](#) [F500900-B](#) [F509500B-B](#) [770444-1](#) [776880-1](#) [827153-1](#) [881735-1](#)
[8N1515-32-24P](#) [9-1326729-8](#) [925467-1](#) [925474-1](#) [928905-1](#) [936398-2](#) [964562-1](#) [964562-4](#) [964731-2](#) [965051-1](#) [968782-1](#) [GT17SA-8DS-](#)
[HU](#) [GT17VS-10DP-5.2CF](#) [98315-0001](#)