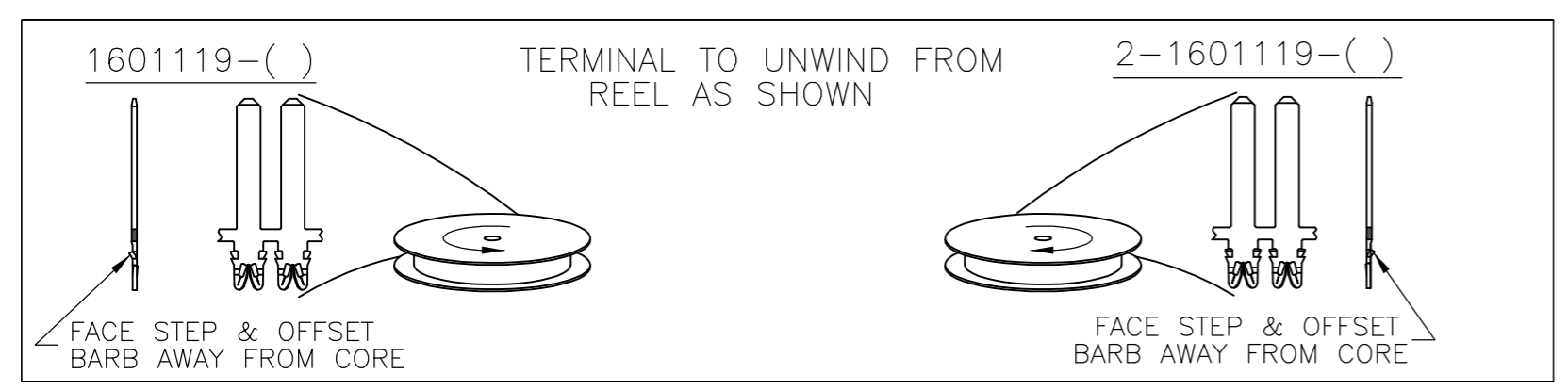
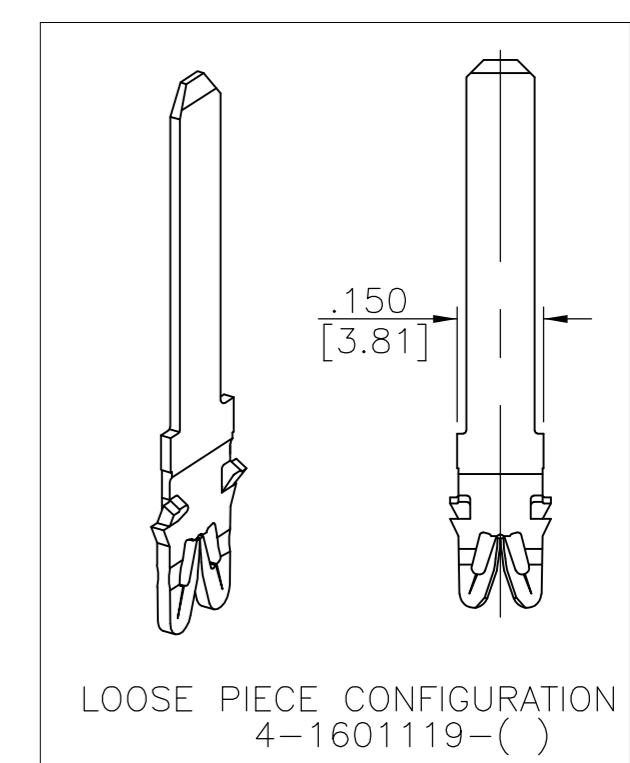
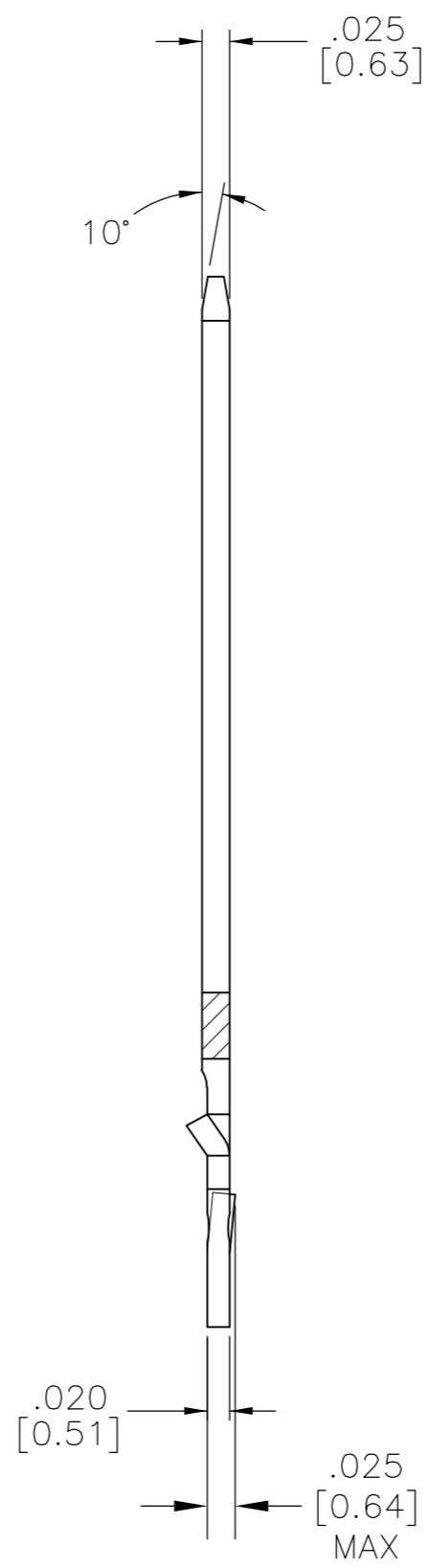
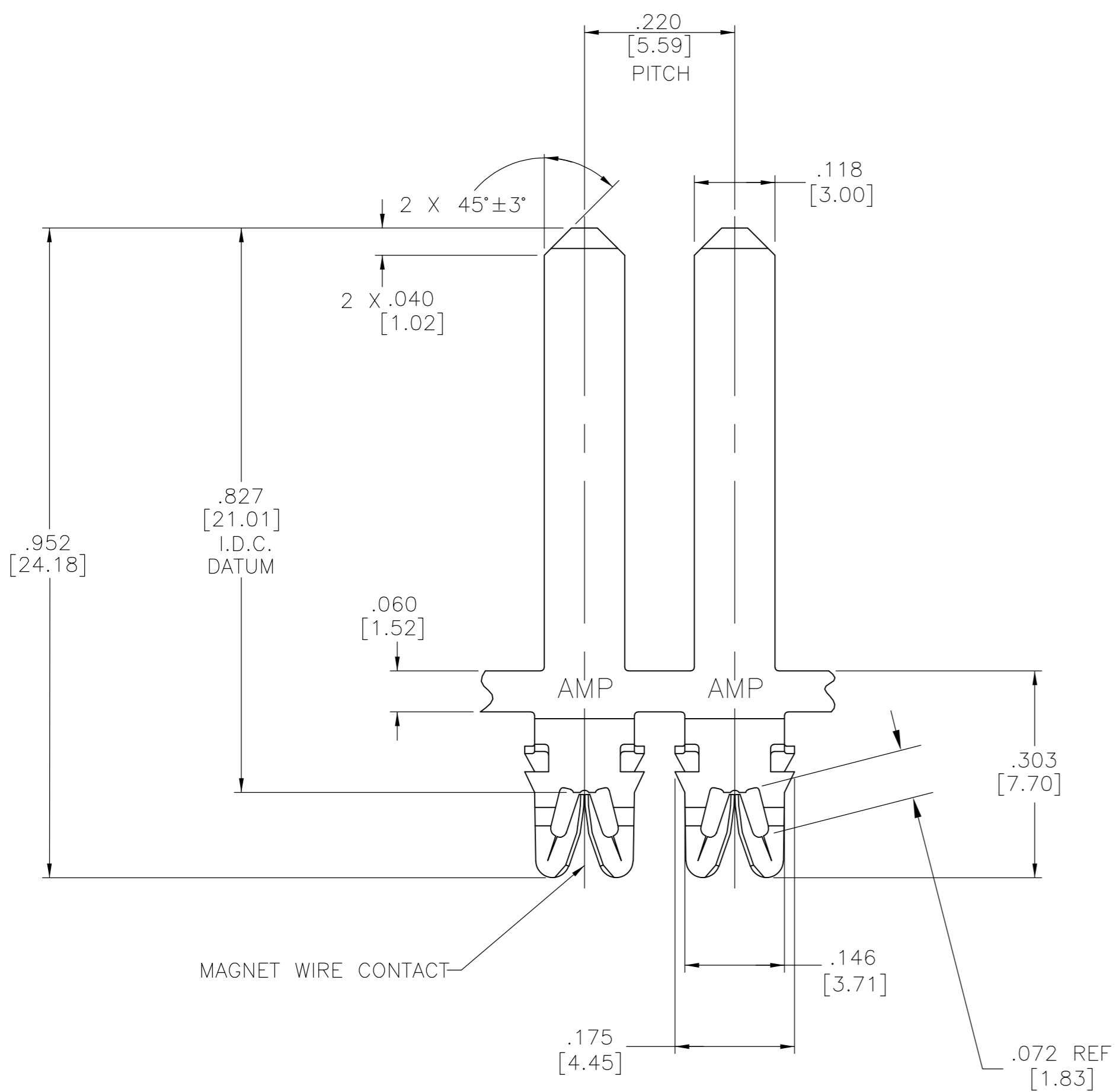


THIS DRAWING IS UNPUBLISHED. RELEASED FOR PUBLICATION  
 © COPYRIGHT BY TYCO ELECTRONICS CORPORATION. ALL RIGHTS RESERVED.

LOC	DIST	REVISIONS			
P	LTR	DESCRIPTION	DATE	DWN	APVD
AF	50	F	REVISED PER ECR-07-029303	19FEB08	HMR GJ

- SPECIFICATIONS: MAGNET WIRE #27 - #36 AWG .015"(0.38mm) - .005"(0.13mm) DIA COPPER.
- POCKET RECOMMENDATION: FOR POCKET DESIGN SEE #1601475
- TERMINAL APPLICATION TO COMPLY WITH TYCO ELECTRONICS SPECIFICATION 114-13166 FIGURE 12.
- TERMINALS SUPPLIED ON REELS, CAN BE SUPPLIED LOOSE PIECE,



OBSOLETE	PRE-TIN PLATE	2-1601119-3
	PRE-TIN PLATE	2-1601119-2
OBSOLETE	PRE-TIN PLATE	1601119-3
	PRE-TIN PLATE	1601119-2
	FINISH	PART NUMBER

THIS DRAWING IS A CONTROLLED DOCUMENT.		DWN MICHAEL S. FEHER 26APR2002	Tyco Electronics Corporation Harrisburg, PA 17105-3608	
DIMENSIONS: INCHES		CHK GENE JACONO 26APR2002	NAME	
TOLERANCES UNLESS OTHERWISE SPECIFIED:		APVD GENE JACONO 26APR2002	PRODUCT SPEC	
0 PLC ± -		108-2244		
1 PLC ± -		APPLICATION SPEC		
2 PLC ± .01[0.25]		3		
3 PLC ± .005[0.13]		SIZE		
4 PLC ± -		CAGE CODE		
ANGLES ± 2°		DRAWING NO		
MATERIAL BRASS, 3/4 HARD	FINISH SEE TABLE	WEIGHT -	RESTRICTED TO	
CUSTOMER DRAWING		SCALE 6:1	SHEET 1 of 1	
		REV F		

## X-ON Electronics

Largest Supplier of Electrical and Electronic Components

*Click to view similar products for [Terminals](#) category:*

*Click to view products by [TE Connectivity](#) manufacturer:*

Other Similar products are found below :

[HT-13-10](#) [71M-250-32-NB](#) [01-2065-1-0216](#) [00581P0075](#) [M10-10RX](#) [M10BCK](#) [60205-1](#) [604200-1](#) [60598-1-CUT-TAPE](#) [60617-1-C](#) [60873-1](#) [M14-516R/SK](#) [M14-6RSX](#) [M18-10FLX](#) [M18-8FBX](#) [M18-8R/LX](#) [M18BCK](#) [61314-6-C](#) [61-S](#) [61-SN-A](#) [62-NBM-A](#) [63-S](#) [640179-1](#) [640917-2-CUT-TAPE](#) [6501550002](#) [66107-2-C](#) [696683-1](#) [696834-1](#) [696861-1](#) [696931-1](#) [696999-1](#) [M8-516RK](#) [M86700006](#) [MA250DMFMX-A](#) [701-2007](#) [701-2307](#) [701-7761-03](#) [70F-110-32-PB](#) [718-N-A](#) [71M-187-20-NBL](#) [71M-250-32-NBL](#) [72F-187-20-NBL](#) [72M-250-32-NBL](#) [7310](#) [73F-250-32](#) [73F-250-32-NBL](#) [73F-250-32-NL](#) [F14-10C](#) [F-1M](#) [751-250](#)