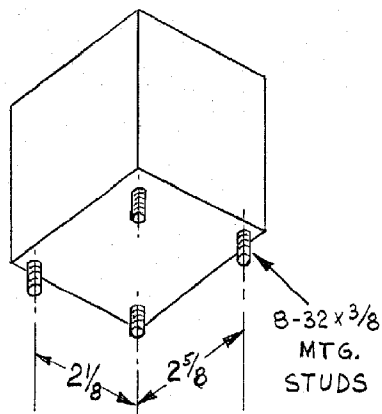
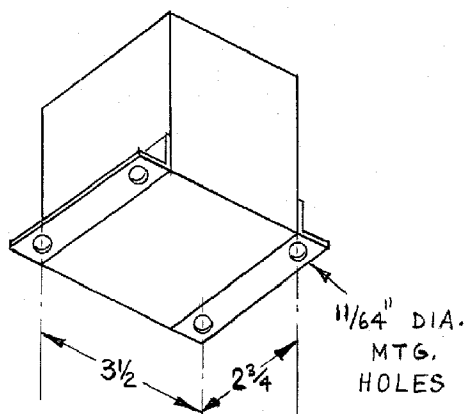


MOUNTING CONFIGURATIONS



STUD MOUNTING

MODEL 710
MODELS 720 THRU 724



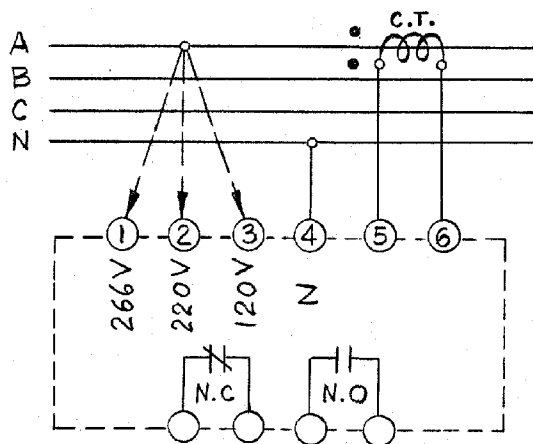
BRACKET MOUNTING (SUFFIX "X")

MODEL 710 X
MODELS 720 X THRU 724 X

CONNECTIONS

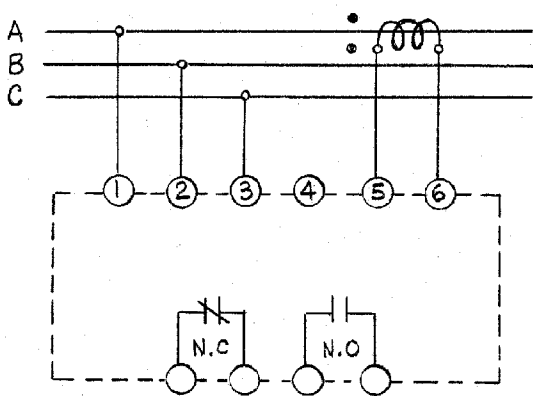
A. MODEL 710 (OR MODEL 710 X)

THIS MODEL IS DESIGNED FOR 120V, 220V OR 266V LINE TO NEUTRAL CONNECTION.



B. MODELS 720(X) THRU 724(X)

FOR USE WITH THREE PHASE THREE WIRE SYSTEMS.



MODEL	INPUT VOLTAGE, 3 ϕ
720 (X)	120 VOLTS, L-L
721 (X)	230 VOLTS, L-L
722 (X)	380 VOLTS, L-L
723 (X)	460 VOLTS, L-L
724 (X)	575 VOLTS, L-L

UNLESS OTHERWISE SPECIFIED DIMENSIONS ARE IN INCHES
TOLERANCES ON FRACTIONS DECIMALS ANGLES
 $\pm 1/32$ $\pm .010$ $\pm 1/2^\circ$
BREAK ALL SHARP EDGES .015 MAX. AND DEBURR
MATERIAL:

APPLICATION	NEXT ASSY	USED ON

ZONE		LTR		REVISIONS		DESCRIPTION		DATE	APPROVED

SPECIFICATIONS

LINE VOLTAGE:

A. THE MODEL 710 (X) IS DESIGNED FOR 120V, 220V OR 266V LINE TO NEUTRAL SENSING.

B. THE TABLE BELOW PROVIDES A LIST OF AVAILABLE MODELS FOR THREE PHASE SENSING.

LINE FREQUENCY: 50 - 500 HZ.

CURRENT REQUIREMENTS: 0 TO 5 AMP. MAX. DIRECT OR FROM C.T.

OPERATION: THE SELF CONTAINED OUTPUT RELAY ACTUATES WHEN REVERSE POWER FLOW EXCEEDS THE PRE-SET VALUE.

TRIP ADJUSTMENT: SCREWDRIVER ADJUSTABLE 4% TO 20% (OF THE 5 AMP. RESISTIVE RATING).

OUTPUT CONTACTS: ONE SET N.C., ONE SET N.O.

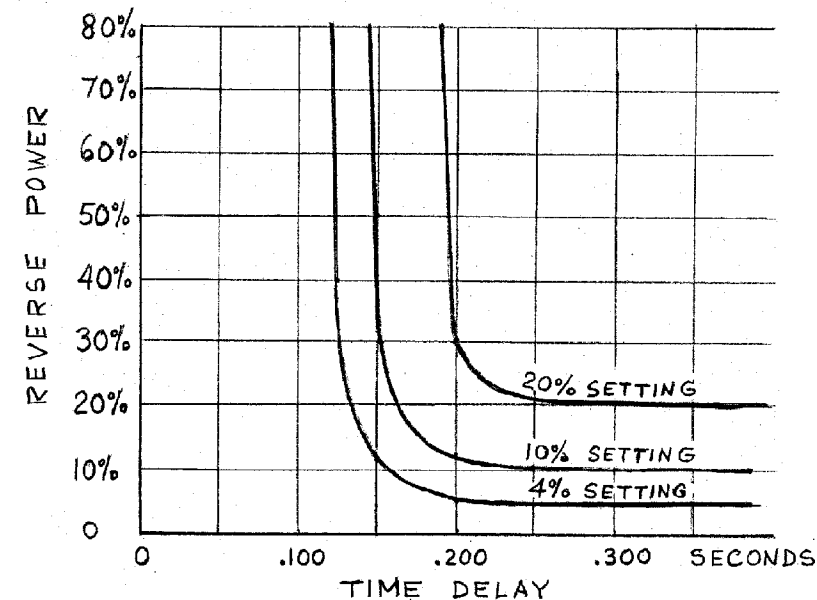
CONTACT RATING: 5 AMP RESISTIVE AT 120VAC OR 28VDC. POWER CONSUMPTION:

VOLTAGE CIRCUIT: 2VA MAX.

CURRENT CIRCUIT: 4VA MAX.

CONSTRUCTION: SOLID STATE SENSOR WITH RELAY OUTPUT ENCLOSED IN A SEALED STEEL CAN.

NOTE: CLOCKWISE ROTATION OF THE PICK-UP ADJUSTMENT WILL RAISE THE REVERSE POWER TRIP POINT. REMOVE SCREW FOR ACCESS TO THE PICK-UP ADJUSTMENT.



QTY REQD	SYM	DESCRIPTION	CODE IDENT NO.	PART NO.	SPEC	MATERIAL OR NOTE	ITEM NO.
LIST OF MATERIAL							
CONTRACT NO.				WILMAR			
DRAWN				ELECTRONICS, INC.			
CHECKED				TORRANCE, CALIFORNIA			
DESIGN APPROVAL				TITLE REVERSE POWER RELAY 710 AND 720 SERIES			
PROJECT APPROVAL							
DESIGN ACTIVITY APPROVAL							
APPROVAL				SIZE	CODE IDENT NO.	DWG NO.	
				C	25248	21-313	
				SCALE	WEIGHT	SHEET	

X-ON Electronics

Largest Supplier of Electrical and Electronic Components

Click to view similar products for [General Purpose Relays](#) category:

Click to view products by [TE Connectivity](#) manufacturer:

Other Similar products are found below :

[APF30318](#) [JVN1AF-4.5V-F](#) [PCN-105D3MHZ](#) [5JO-10000S-SIL](#) [5JO-1000CD-SIL](#) [5JO-400CD-SIL](#) [LY2S-AC220/240](#) [LYQ20DC12](#)
[6031007G](#) [6131406HQ](#) [6-1393099-3](#) [6-1393099-8](#) [6-1393122-4](#) [6-1393123-2](#) [6-1393767-1](#) [6-1393843-7](#) [6-1415012-1](#) [6-1419102-2](#) [6-](#)
[1423698-4](#) [6-1608051-6](#) [6-1608067-0](#) [6-1616170-6](#) [6-1616248-2](#) [6-1616282-3](#) [6-1616348-2](#) [6-1616350-1](#) [6-1616350-8](#) [6-1616358-7](#) [6-](#)
[1616359-9](#) [6-1616360-9](#) [6-1616931-6](#) [6-1617039-1](#) [6-1617052-1](#) [6-1617090-2](#) [6-1617090-5](#) [6-1617347-5](#) [6-1617353-3](#) [6-1617801-8](#) [6-](#)
[1617802-2](#) [6-1618107-9](#) [6-1618248-4](#) [M83536/1-027M](#) [CX-4014](#) [MAHC-5494](#) [MAVCD-5419-6](#) [703XCX-120A](#) [7-1393100-5](#) [7-1393111-7](#)
[7-1393144-5](#) [7-1393767-8](#)