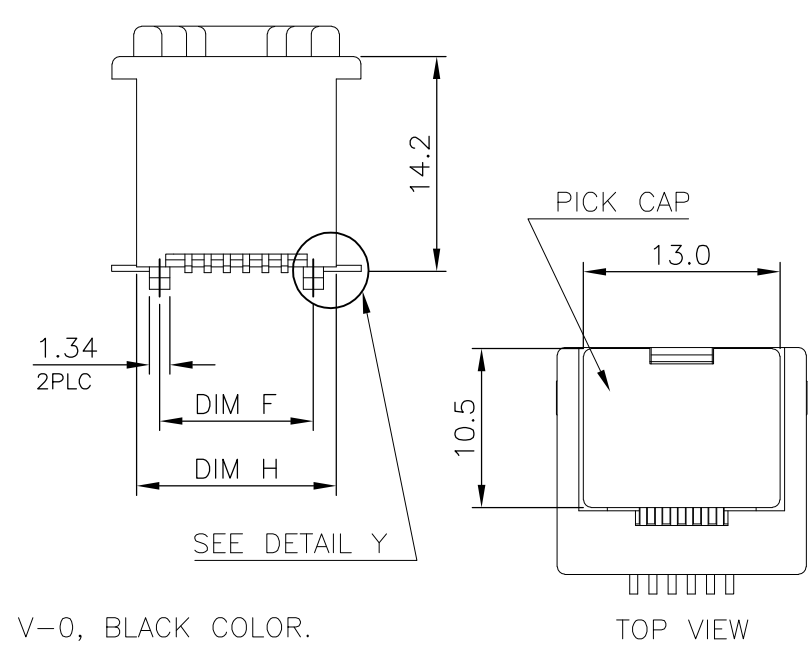
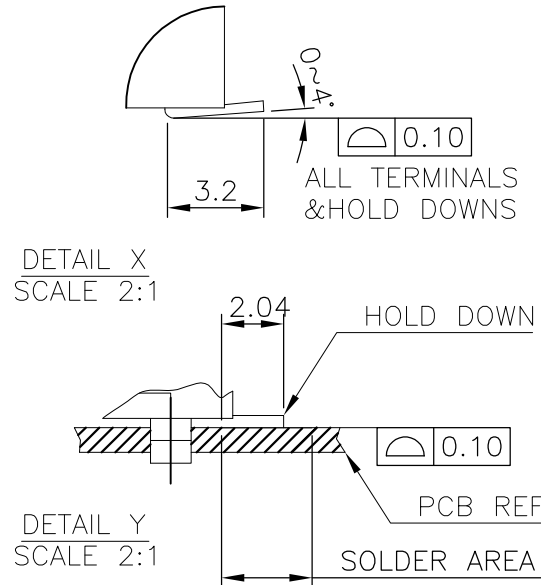
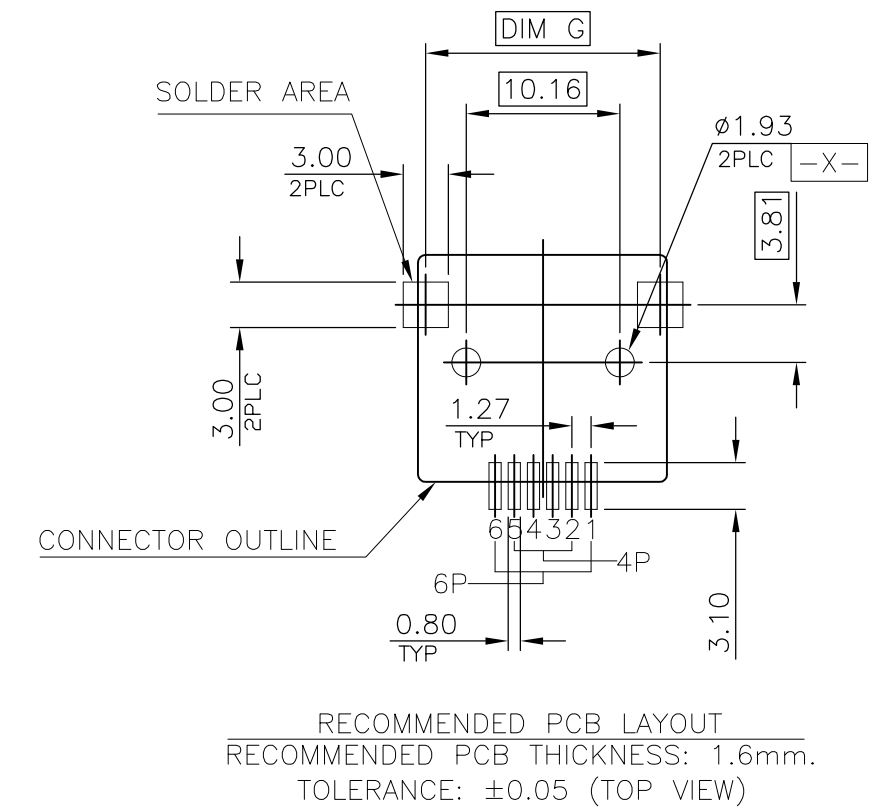
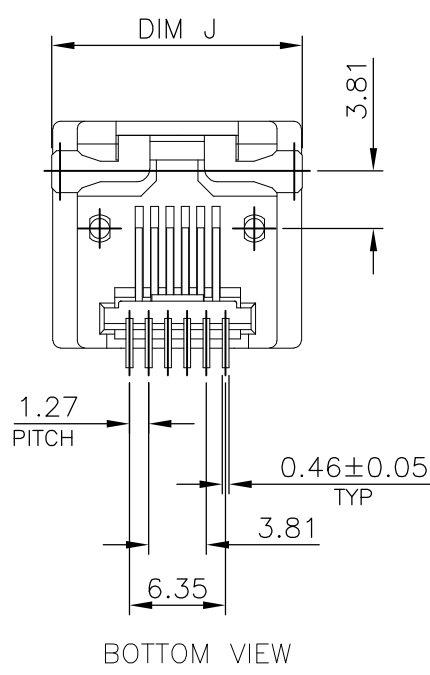
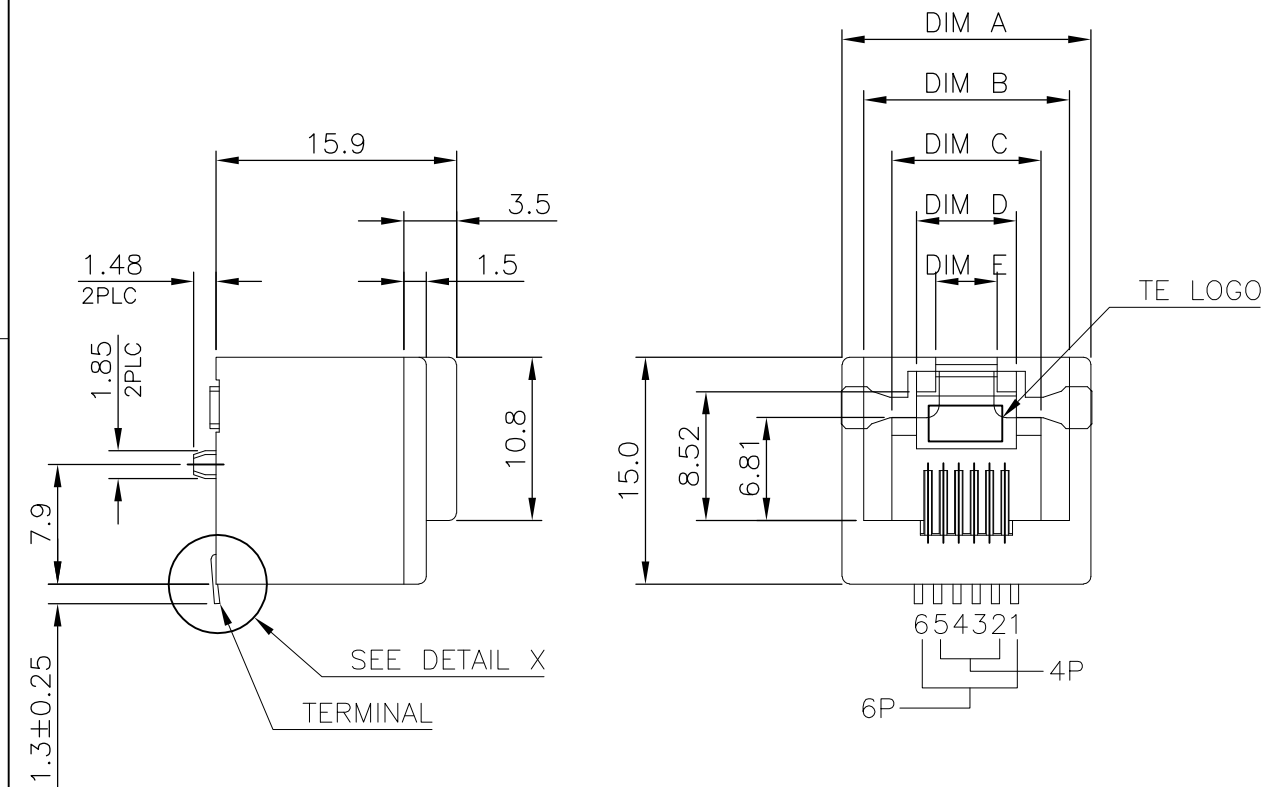


THIS DRAWING IS UNPUBLISHED. RELEASED FOR PUBLICATION  
 © COPYRIGHT - TE Connectivity ALL RIGHTS RESERVED.

REVISIONS					
P	LTR	DESCRIPTION	DATE	DWN	APVD
B		ECO-17-008182	01JUN2017	LL	SH



NOTE:  
 1. MATERIAL:  
 1.1 HOUSING: PA9T, WITH 30% GF, UL94 V-0, BLACK COLOR.  
 1.2 INSERT HOUSING: PA9T, WITH 30% GF, UL94 V-0, BLACK COLOR.  
 1.3 PICK CAP: PA46, WITH 30% GF, UL94 V-0, BLACK COLOR.  
 1.4 CONTACTS: PHOSPHOR BRONZE.  
 1.5 HOLD DOWN: BRASS.  
 2. FINISH:  
 2.1 CONTACTS: (SEE TABLE) GOLD PLATED ON CONTACT AREA, GOLD FLASH ON SOLDER TAIL, 1.27um [50u"] MIN. NICKEL UNDERPLATED OVERALL.  
 2.2 HOLD DOWN: 2.54um [100u"] MIN. MATTE TIN PLATED.  
 3. REFLOW SOLDER CAPABLE TO 260°C PER TEC-109-201, CONDITION B.  
 ⚠️ OBSOLETE PARTS: OBSOLETE CIS STREAMLINING PER D.RENAUD/D.SINISI

WITH	DIM J	DIM H	DIM G	DIM F	DIM E	DIM D	DIM C	DIM B	DIM A	RJ11	PICK CAP	MIN.GOLD THICKNESS	PART NUMBER
WITH	16.50	13.10	15.50	10.16	4.06	6.60	9.87	13.60	16.46	6P6C		1-1734858-8	
												1-1734858-7	
												1-1734858-6	
												1-1734858-5	
WITHOUT	14.50	11.10	13.50	7.62	3.05	5.50	7.87	11.60	14.44	4P4C	WITHOUT	1-1734858-4	
												1-1734858-3	
												1-1734858-2	
												1-1734858-1	

THIS DRAWING IS A CONTROLLED DOCUMENT.

DWN O. HU 06NOV2007  
 CHK S. HOU 06NOV2007  
 APVD W. KODAMA 06NOV2007

PRODUCT SPEC 108-57464  
 APPLICATION SPEC

STE TE Connectivity

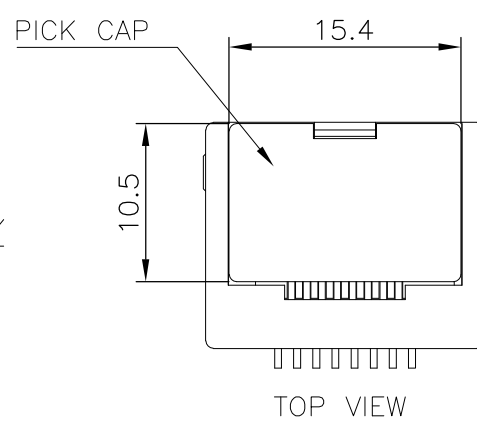
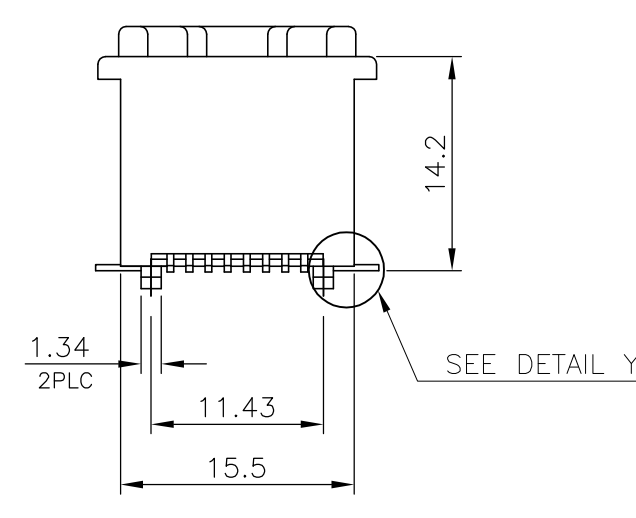
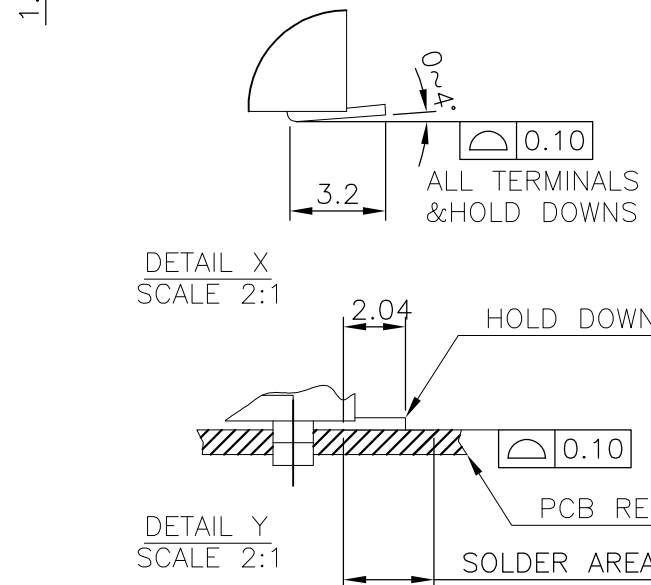
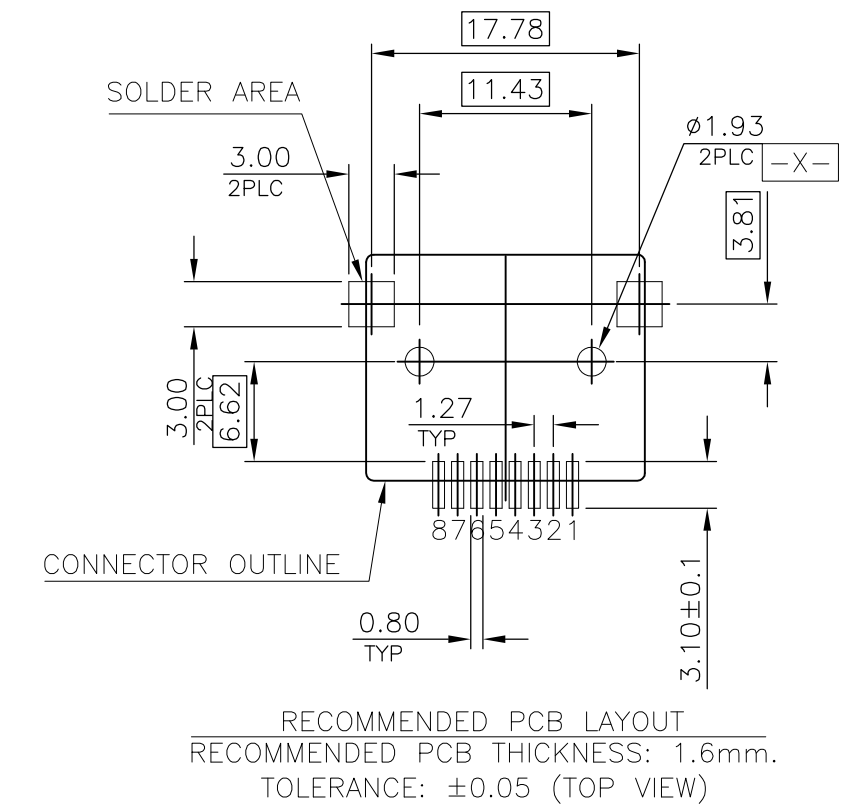
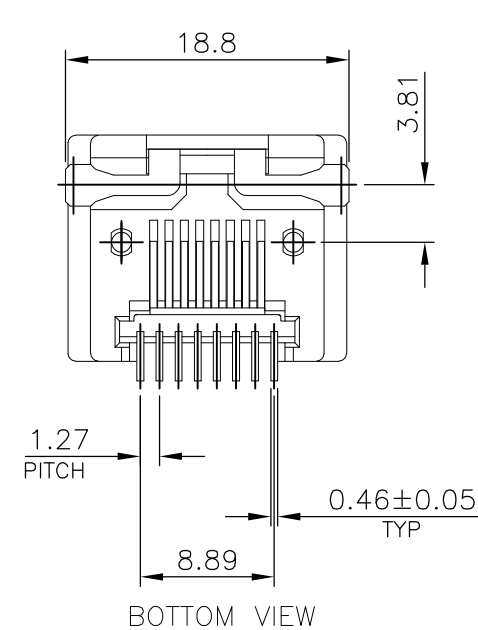
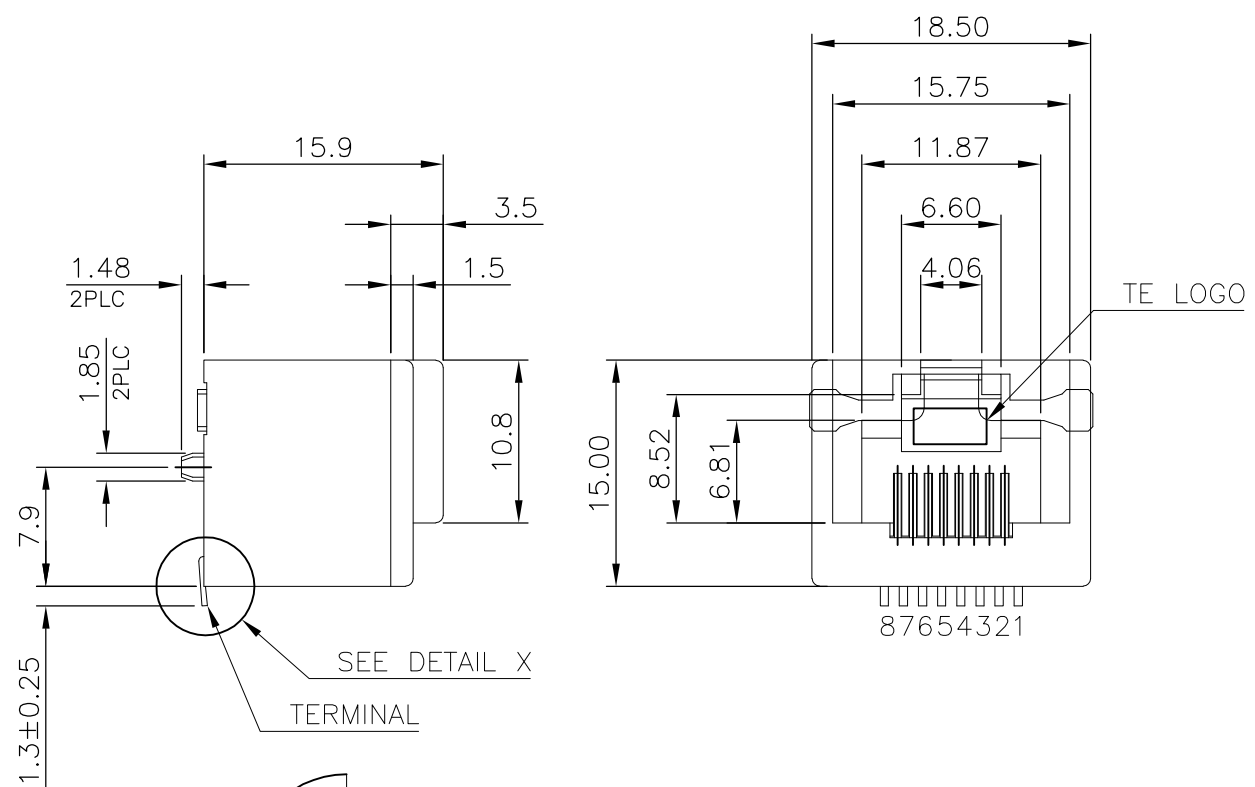
MODULAR JACK RJ45/RJ11 TOP ENTRY, SMT TYPE

SIZE A3 CAGE CODE 00779 DRAWING NO C-1734858 RESTRICTED TO -

WEIGHT 3.3

CUSTOMER DRAWING SCALE 1:1 SHEET 1 OF 3 REV B

P	LTR	DESCRIPTION	DATE	DWN	APVD
-	-	SEE SHEET 1	-	-	-



OBSOLETE	8P8C	WITH	1.27µm [50µ"]	<del>2-1734858-8</del>
			0.76µm [30µ"]	<del>2-1734858-7</del>
			0.38µm [15µ"]	<del>2-1734858-6</del>
OBSOLETE	8P8C	WITHOUT	0.15µm [6µ"]	<del>2-1734858-5</del>
			1.27µm [50µ"]	<del>2-1734858-4</del>
			0.76µm [30µ"]	<del>2-1334858-3</del>
			0.38µm [15µ"]	<del>2-1734858-2</del>
			0.15µm [6µ"]	<del>2-1734858-1</del>
	RJ45	PICK CAP	MIN.GOLD THICKNESS	PART NUMBER

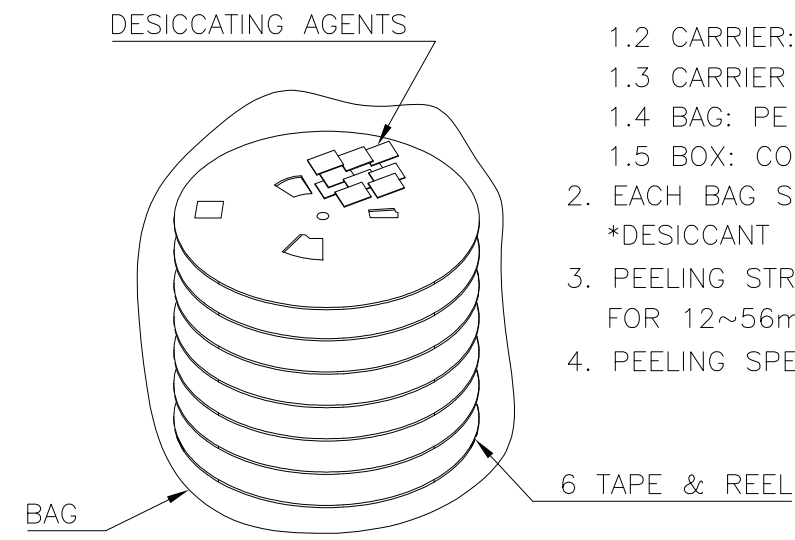
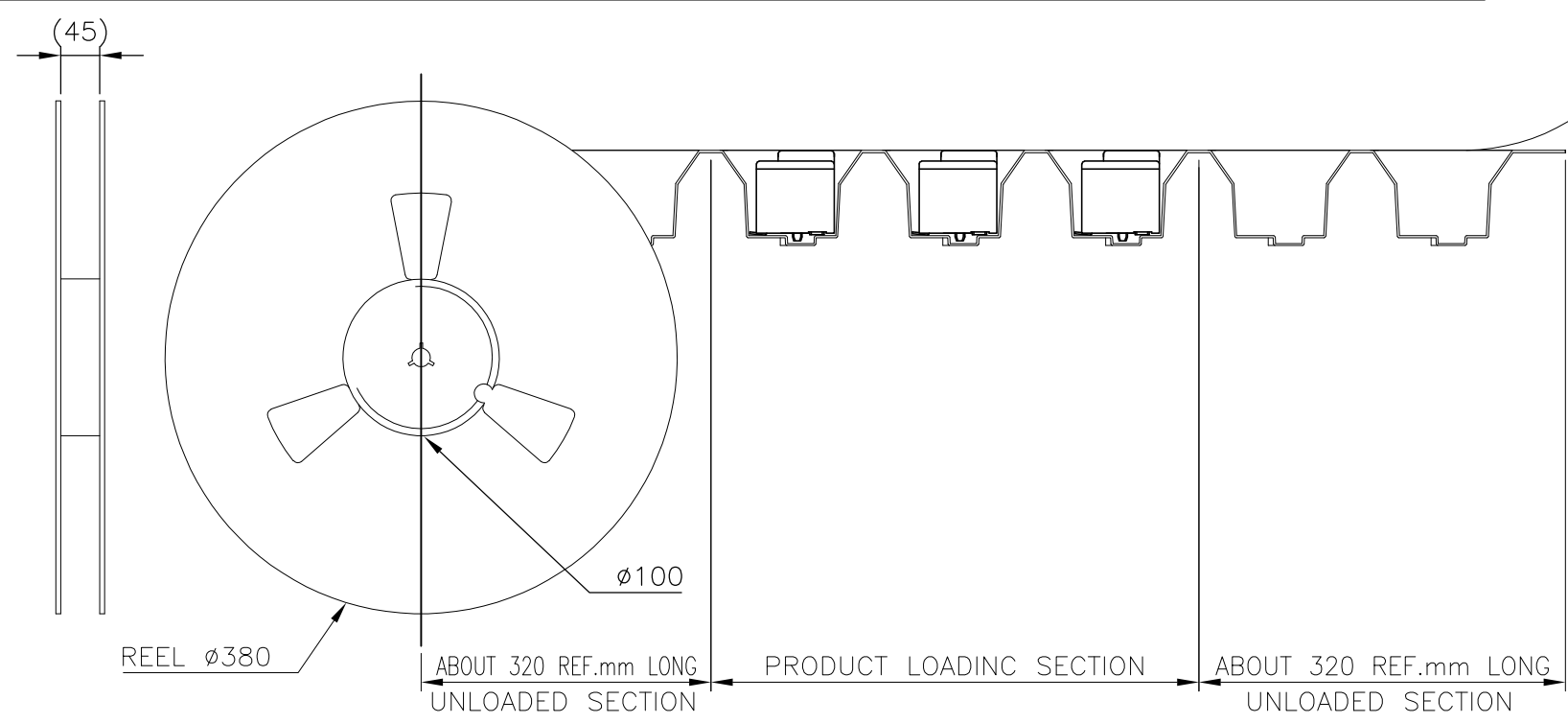
NOTE:

- MATERIAL:
  - HOUSING: PA9T, WITH 30% GF, UL94 V-0, BLACK COLOR.
  - INSERT HOUSING: PA9T, WITH 30% GF, UL94 V-0, BLACK COLOR.
  - PICK CAP: PA46, WITH 30% GF, UL94 V-0, BLACK COLOR.
  - CONTACTS: PHOSPHOR BRONZE.
  - HOLD DOWN: BRASS.
- FINISH:
  - CONTACTS: (SEE TABLE) GOLD PLATED ON CONTACT AREA, GOLD FLASH ON SOLDER TAIL, 1.27µm [50u"] MIN. NICKEL UNDERPLATED OVERALL.
  - HOLD DOWN: 2.54µm [100u"] MIN. MATTE TIN PLATED.
- REFLOW SOLDER CAPABLE TO 260°C PER TEC-109-201, CONDITION B.
- OBSOLETE PARTS: OBSOLETE CIS STREAMLINING PER D.RENAUD/D.SINISI

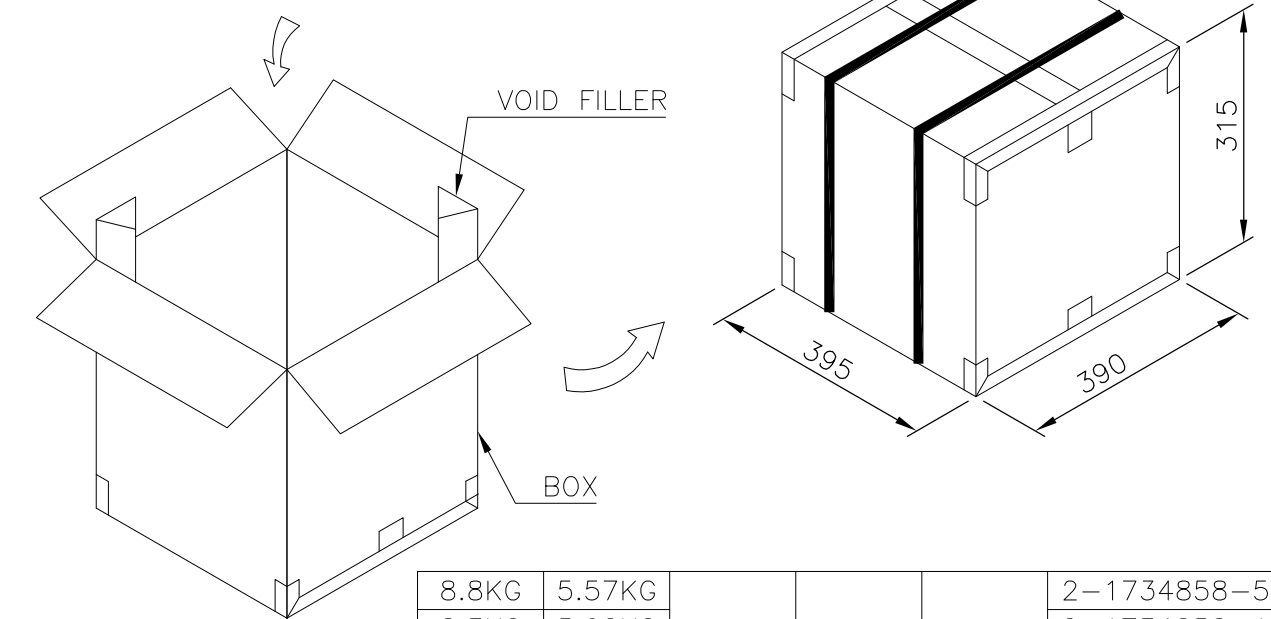
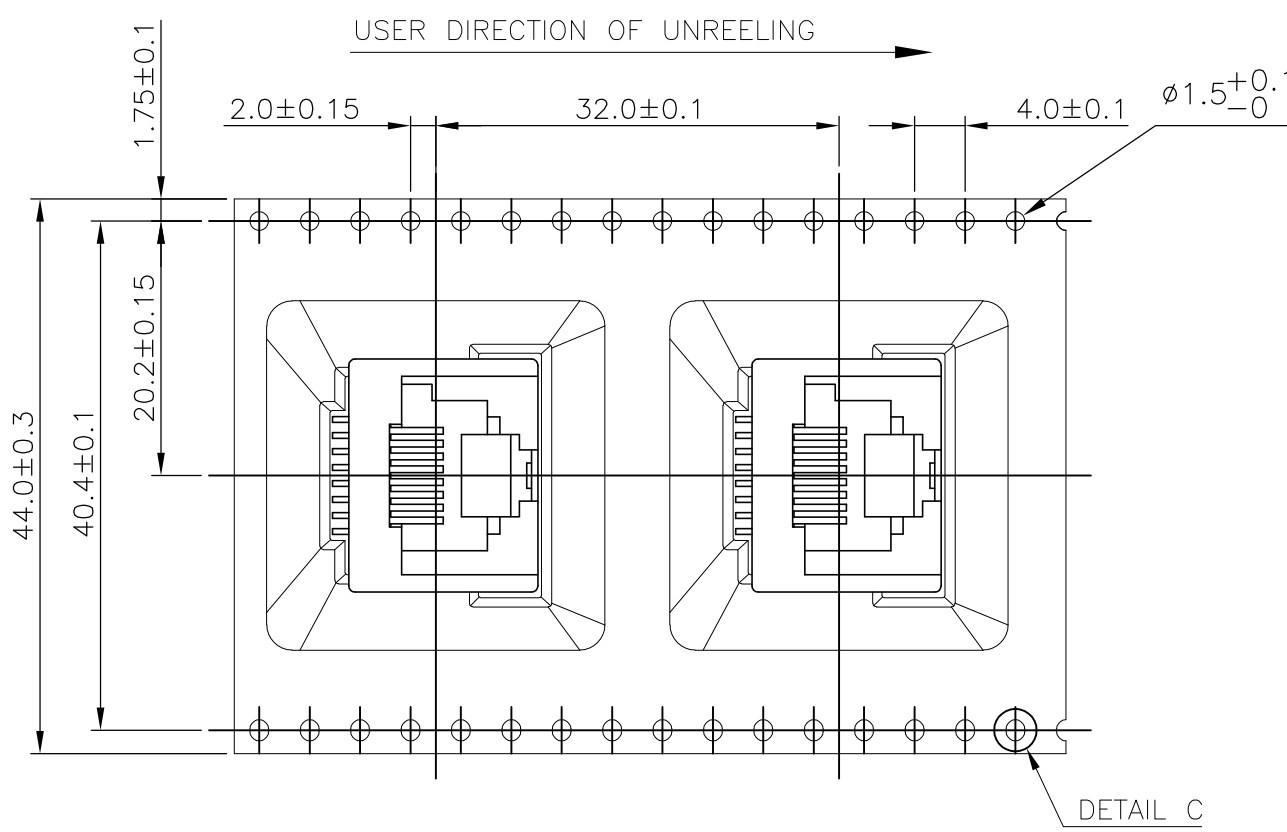
THIS DRAWING IS A CONTROLLED DOCUMENT.		DWN O. HU 06NOV2007			
		CHK S. HOU 06NOV2007			
		APVD W. KODAMA 06NOV2007	NAME		
DIMENSIONS: mm		TOLERANCES UNLESS OTHERWISE SPECIFIED:		108-57464	
		0 PLC ± -	PRODUCT SPEC		
		1 PLC ± 0.3	APPLICATION SPEC		
MATERIAL SEE NOTE		FINISH SEE NOTE	WEIGHT 3.3	SIZE A3	CAGE CODE 00779
CUSTOMER DRAWING			SCALE 1:1	DRAWING NO C-1734858	RESTRICTED TO -
			SHEET 2 of 3	REV B	

THIS DRAWING IS UNPUBLISHED. RELEASED FOR PUBLICATION  
 © COPYRIGHT - TE Connectivity ALL RIGHTS RESERVED.

REVISIONS					
P	LTR	DESCRIPTION	DATE	DWN	APVD
-	-	SEE SHEET 1	-	-	-

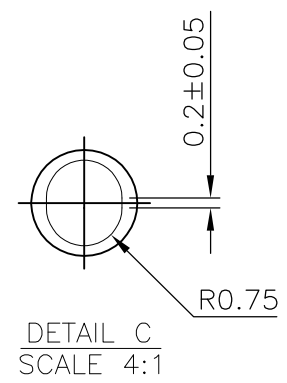
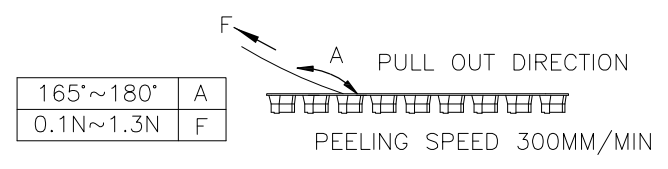


- NOTE:
- PACKAGING MATERIAL:
    - COVER TAPE: COMPOSITE OF POLYETHYLENE TEREPHTHALATE (PET)
    - CARRIER: POLYSTYRENE (PS)
    - CARRIER REEL: CORRUGATED FIBER
    - BAG: PE
    - BOX: CORRUGATED FIBER.
  - EACH BAG SHALL BE INCLUDED:
    - \*DESICCANT
  - PEELING STRENGTH: 0.1~1.3N(1~130 GRAMS) FOR 12~56mm WIDE CARRIER TAPES
  - PEELING SPEED: 300mm/MINUTES.



8.8KG	5.57KG				2-1734858-5~8
8.3KG	5.02KG				2-1734858-1~4
8.1KG	4.91KG	150	6	900	1-1734858-5~8
7.7KG	4.49KG				1-1734858-1~4
7.1KG	3.88KG				1734858-X
GROSS WEIGHT	NET WEIGHT	PCS/ REEL	REEL/ BOX	PCS/ BOX	PART NUMBER

\* COVER TAPE PEELING FORCE:



THIS DRAWING IS A CONTROLLED DOCUMENT.		DWN O. HU 06NOV2007	TE Connectivity		
DIMENSIONS: mm		CHK S. HOU 06NOV2007			
TOLERANCES UNLESS OTHERWISE SPECIFIED:		APVD W. KODAMA 06NOV2007	NAME		
0 PLC ± -		PRODUCT SPEC			
1 PLC ± 0.3		108-57464			
2 PLC ± 0.2		APPLICATION SPEC			
3 PLC ± 0.15		-			
4 PLC ± -		SIZE			
ANGLES ± -		CAGE CODE			
FINISH ± -		DRAWING NO			
MATERIAL SEE NOTE		RESTRICTED TO			
		WEIGHT 3.3			
		A300779 C-1734858			
		CUSTOMER DRAWING		SCALE 1:1	SHEET 3 OF 3
				REV B	

## X-ON Electronics

Largest Supplier of Electrical and Electronic Components

*Click to view similar products for [Modular Connectors / Ethernet Connectors](#) category:*

*Click to view products by [TE Connectivity](#) manufacturer:*

Other Similar products are found below :

[RJE231881317T](#) [MP1010RX-1000](#) [MP44RX-1000](#) [GAX-3-66](#) [GAX-8-62](#) [93606-0253](#) [GD-A-44](#) [GDCX-PA-66-50](#) [GDCX-PN-64](#) [GDCX-PN-66](#) [GDCX-PN-66-50](#) [GDLX-A-66](#) [GDLX-A-88](#) [GDLX-N-66](#) [GDLX-S-88K](#) [GDTX-S-88-50](#) [GDX-PA-1010](#) [GLX-N-1010M-BLK](#) [GLX-N-44M](#) [GLX-S-88M-BLK](#) [GMX-N-1010](#) [GMX-S-1010](#) [GMX-S-66](#) [GMX-SMT2-N-1010](#) [GMX-SMT2-N-64-50](#) [GMX-SMT2-S6-88](#) [GMX-SMT4-N-88](#) [GPX-2-64](#) [GRT1-BT1-5](#) [GSGX-N-2-88](#) [GSX-NS2-88-3.05](#) [GSX-NS2-88-3.05-50](#) [GSX-NS-88-3.05-30](#) [GSX-NS-88-3.05-50](#) [GSX-NS-88-3.68](#) [1-1775629-2](#) [GWLX-S-88-GR](#) [GWLX-S9-88-YG](#) [1300500326](#) [1300500227](#) [1300530003](#) [1300570002](#) [1324640-4](#) [RJ11FTVC2G](#) [RJ11FTVC2N](#) [RJFTVX2SA1G](#) [132764-001](#) [1400000](#) [1413176](#) [1413235](#)