

LH	(FREE DIA)	MAT'L	LENGTH	MATING HOLE Ø REF	PLATING	NUM LOUV	MAT'L THK	REF	PART NO.
[.050]	--	BeCu	NOTE12	--	3-2	--	0.10[.004]	01050	192008-1
[.050]	--	BeCu	NOTE12	--	UNPL	--	0.15[.006]	01042	192008-2
[.050]	--	BeCu	NOTE12	--	3-2	--	0.15[.006]	01014	192008-3
[.050]	[.49]	BeCu	[5.20]	--	3-2	52	0.15[.006]	01040	192008-4
[.050]	[.49]	BeCu		12.7[.500]	UNPL	14	0.15[.006]	01215	192008-5
[.050]	[.49]	BeCu		12.7[.500]	3-2	14	0.15[.006]	01140	192008-6
[.050]	[.53]	BeCu		14.1[.554]	3-2	17	0.15[.006]	01142	192008-7
[.052]	[.56]	BeCu		16.0[.630]	3-2	18	0.20[.008]	01149	192008-8
[.050]	[.69]	BeCu		19.0[.750]	UNPL	22	0.15[.006]	--	192008-9
[.050]	[.69]	BeCu		19.0[.750]	3-2	22	0.15[.006]	01157	192008-10
[.050]	[.69]	BeCu		19.0[.750]	1-2	22	0.15[.006]	01160	192008-11
[.052]	[.69]	BeCu		19.0[.750]	UNPL	22	0.20[.008]	01295	192008-12
[.052]	[.69]	BeCu		19.0[.750]	3-2	22	0.20[.008]	01158	192008-13
[.052]	[.69]	BeCu		19.0[.750]	1-2	22	0.20[.008]	01236	192008-14
[.050]	[.72]	BeCu		19.8[.781]	3-2	23	0.15[.006]	01316	192008-15
[.052]	[.75]	BeCu		20.2[.796]	UNPL	24	0.20[.008]	01159	192008-16
[.052]	[.75]	BeCu		20.2[.796]	3-2	24	0.20[.008]	01222	192008-17
[.050]	[.81]	BeCu		22.3[.879]	3-2	26	0.15[.006]	01162	192008-18
[.052]	[.81]	BeCu		22.3[.879]	UNPL	26	0.20[.008]	01277	192008-19
[.052]	[.81]	BeCu		22.3[.879]	3-2	26	0.20[.008]	01221	192008-20
[.052]	[.81]	BeCu		22.3[.879]	3-2	26	0.20[.008]	01171	192008-21
[.050]	[.94]	BeCu		25.4[1.000]	UNPL	30	0.15[.006]	01180	192008-22
[.050]	[.94]	BeCu		25.4[1.000]	3-2	30	0.15[.006]	01182	192008-23
[.052]	[.94]	BeCu		25.4[1.000]	UNPL	30	0.20[.008]	01183	192008-24
[.052]	[.94]	BeCu		25.4[1.000]	3-2	30	0.20[.008]	01184	192008-25
[.050]	[1.00]	BeCu		27.1[1.068]	3-2	32	0.15[.006]	--	192008-26
[.050]	[1.07]	BeCu		28.7[1.129]	3-2	34	0.15[.006]	01188	192008-27
[.052]	[1.07]	BeCu		28.7[1.129]	3-2	34	0.20[.008]	01191	192008-28
[.050]	[1.10]	BeCu		30.2[1.188]	3-2	35	0.15[.006]	01190	192008-29
[.052]	[1.16]	BeCu		30.3[1.195]	3-2	37	0.20[.008]	01194	192008-30
[.050]	[1.13]	BeCu		30.4[1.197]	3-2	36	0.15[.006]	01114	192008-31
[.052]	[1.13]	BeCu		30.4[1.197]	UNPL	36	0.20[.008]	01226	192008-32
[.052]	[1.13]	BeCu		30.4[1.197]	3-2	36	0.20[.008]	01213	192008-33
[.050]	[1.16]	BeCu		31.8[1.250]	3-2	37	0.15[.006]	01231	192008-34
[.050]	[1.16]	BeCu		31.8[1.250]	3-2	37	0.15[.006]	01237	192008-35
[.050]	[1.26]	BeCu		33.0[1.300]	3-2	40	0.15[.006]	01238	192008-36
[.048]	[1.04]	CNCL		33.0[1.300]	UNPL	33	0.15[.006]	01312	192008-37
[.050]	[1.29]	BeCu		34.9[1.375]	3-2	41	0.15[.006]	01324	192008-38
[.052]	[2.00]	BeCu		58.4[2.300]	3-2	72	0.25[.010]	--	192008-39
[.052]	[2.00]	BeCu		58.4[2.300]	UNPL	72	0.25[.010]	--	192008-40
[.050]	[1.40]	BeCu		--	3-2	44	0.15[.006]	--	192008-41
[.052]	--	BeCu	NOTE 12	--	3-2	--	0.20[.008]	--	192008-42
[.052]	--	BeCu	NOTE 12	--	3-2	--	0.25[.010]	--	192008-43
[.050]	--	BeCu		22.00 [.866]	3-2	26	0.10[.004]	--	192008-44
[.050]	--	BeCu		51.33 [2.021]	3-2	62	0.10[.004]	--	192008-45

THIS DRAWING IS A CONTROLLED DOCUMENT. RA JAYNE 06-30-92

CUSTOMER DRAWING SCALE NTS SHEET 1 of 1 REV L

RESTRICTED TO

CONTACT BAND, MALE

TE Connectivity

SEE TABLE

SEE TABLE

MATERIAL

DIMENSIONS: INCHES

TOLERANCES UNLESS OTHERWISE SPECIFIED:

0 PLC ±

1 PLC ±

2 PLC ± 0.5[.02]

3 PLC ±

4 PLC ±

FINISHES

APVD

NAME

PRODUCT SPEC

APPLICATION SPEC

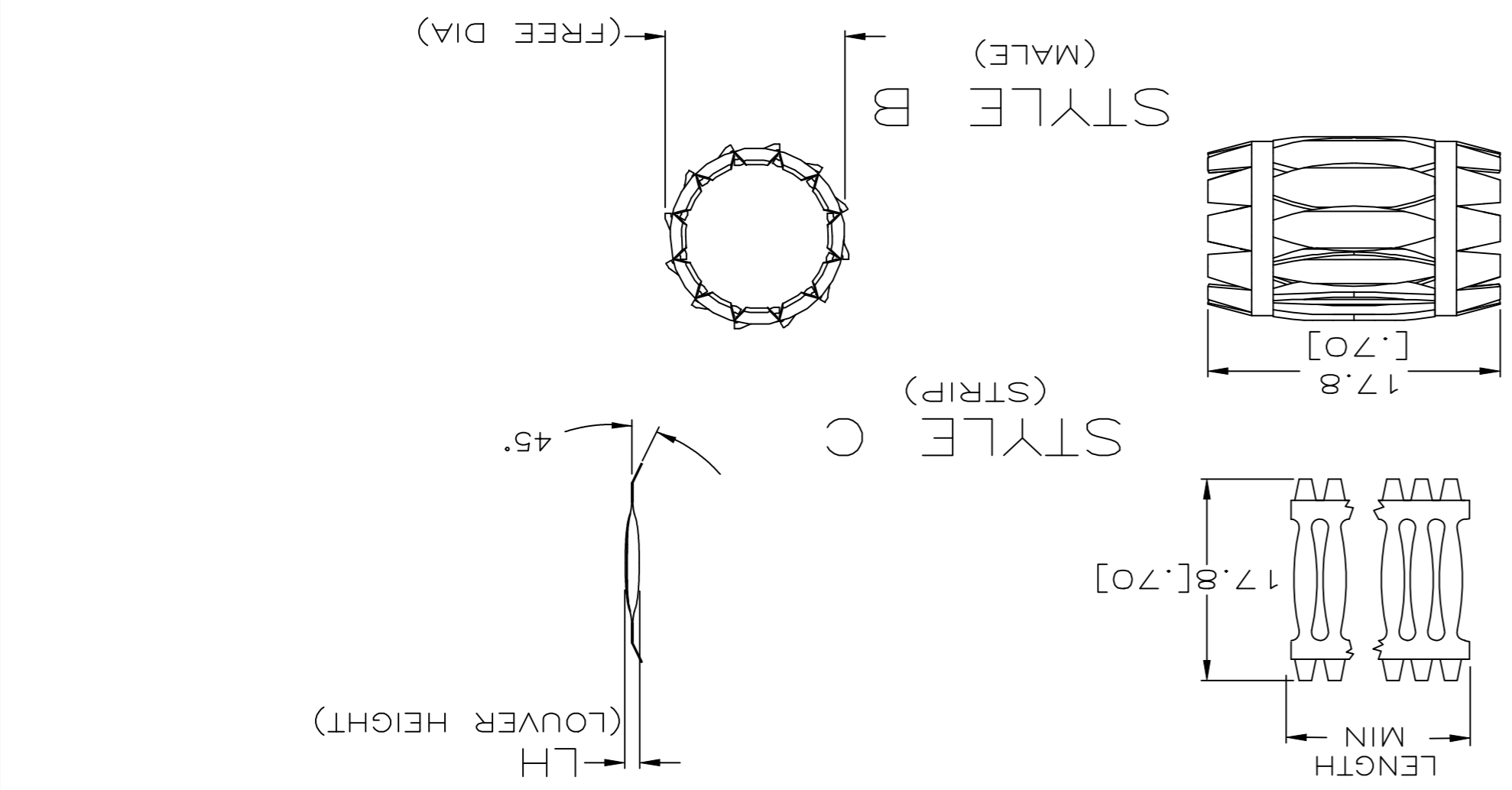
WEIGHT

SIZE A2

CAGE CODE 00779

DRAWING NO 192008

- 1 FINISH: GOLD PLATE 10 µIN MIN.
- 2 FINISH: NICKEL PLATE 40 µIN MIN.
- 3 FINISH: SILVER PLATE 200 µIN MIN.
- 4 NOT USED.
- 5 NOT USED.
- 6 NOT USED.
- 7 NOT USED.
- 8 NOT USED.
- 9 NOT USED.
- 10 NOT USED.
- 11 PLATING NOTES TO BE INTERPRETED AS FOLLOWS, 3-2 AS 3 OVER 2.
- 12 PRODUCT IS SOLD BY FOOT, 3 FEET MINIMUM.
- 13 PRELIMINARY PART NUMBER.
- 14 OBSOLETE PARTS: OBSOLETE CIS STREAMLINING PER D.RENAUD/D.SINISI



REVISIONS	P	LTR	DESCRIPTION	DATE	DWN	APVD
	L		REVISED PER ECO-18-016616	22OCT2018	RS	MZ
	K		REVISED PER ECO-17-013721	16NOV2017	RS	MZ
	J1		REVISED PER ECO-16-012453	24AUG2016	NK	MZ

192008

X-ON Electronics

Largest Supplier of Electrical and Electronic Components

Click to view similar products for [Heavy Duty Power Connectors](#) category:

Click to view products by [TE Connectivity](#) manufacturer:

Other Similar products are found below :

[1424439](#) [1424438](#) [09330062652](#) [2-8675P1](#) [605601-1](#) [6340G1](#) [6341G1](#) [6360G1](#) [6373G1](#) [6374g2](#) [6396G1](#) [647757-1](#) [66394-4](#) [6643411-1](#)
[6646058-2](#) [6646137-1](#) [6646138-1](#) [6646348-1](#) [6646479-1](#) [6646608-1](#) [6646786-1](#) [6646940-1](#) [6651091-1](#) [6651525-1](#) [6651529-1](#) [6651778-1](#)
[6651788-1](#) [696465-1](#) [696475-1](#) [73000005059](#) [73000005349](#) [73000005642](#) [73080255059](#) [73080965046](#) [765-15-0080A](#) [765-16-0080B](#)
[789.700-44](#) [789.700-54](#) [80-1010](#) [80-9](#) [827381-1](#) [829992-1](#) [902-77-02113](#) [PL00U-301-10D10](#) [PM103MOOLOO](#) [PM16S1620S32-50](#)
[PM212MOOLOO](#) [PM309FOOLOO](#) [PM324FOOLCH](#) [PMHPAF11S03](#)