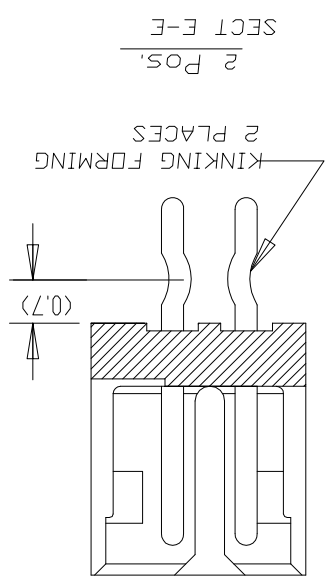
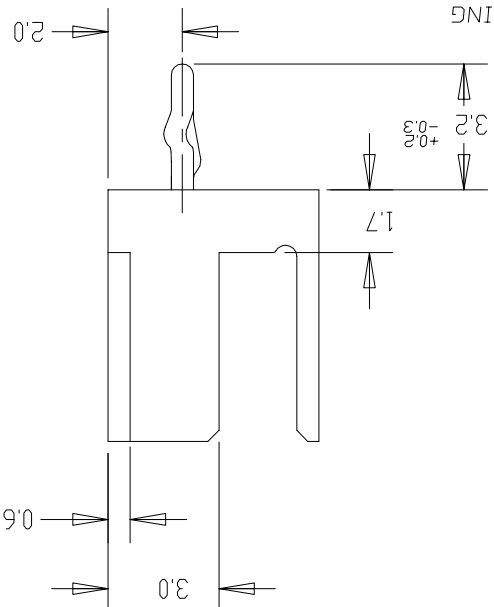
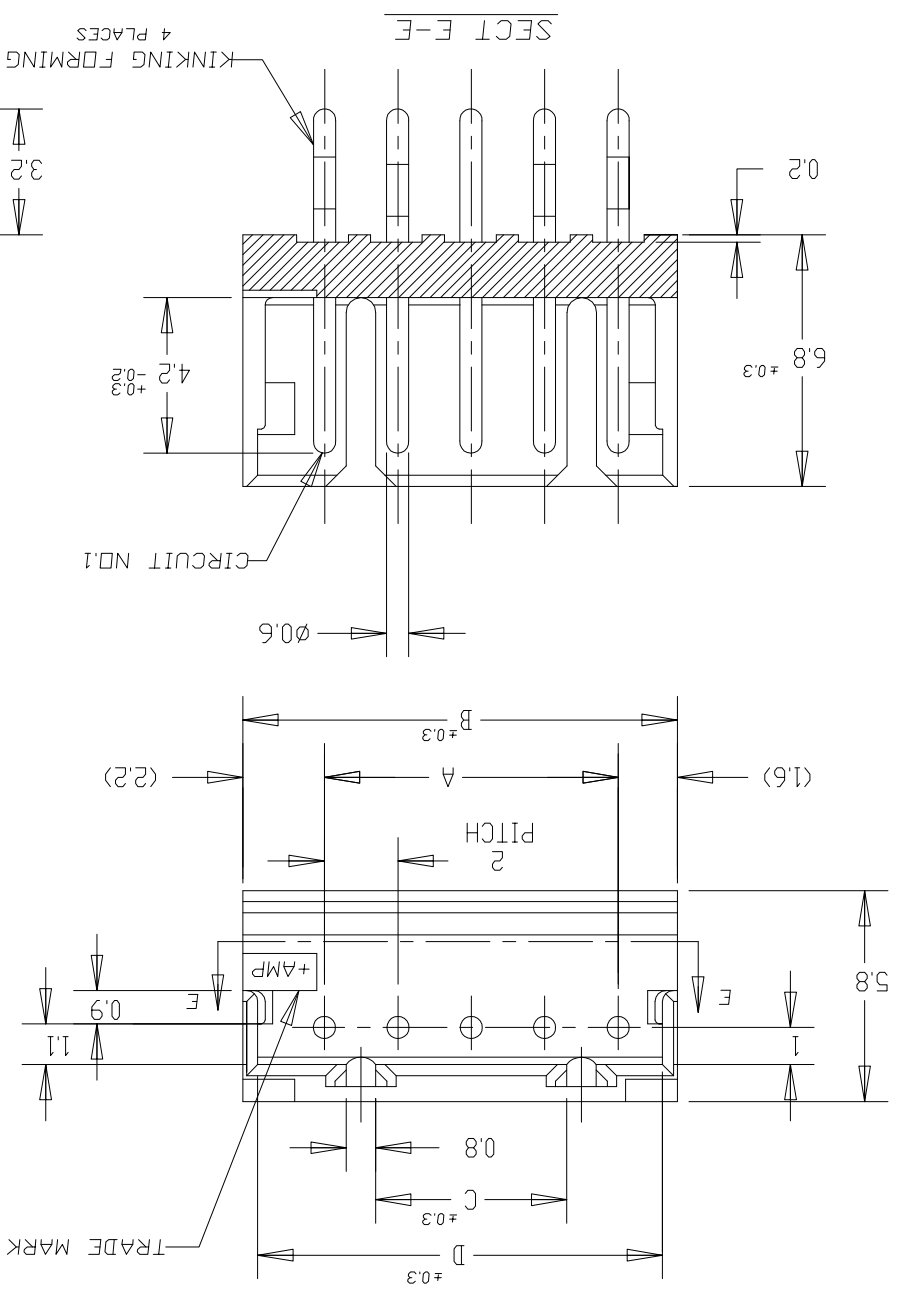


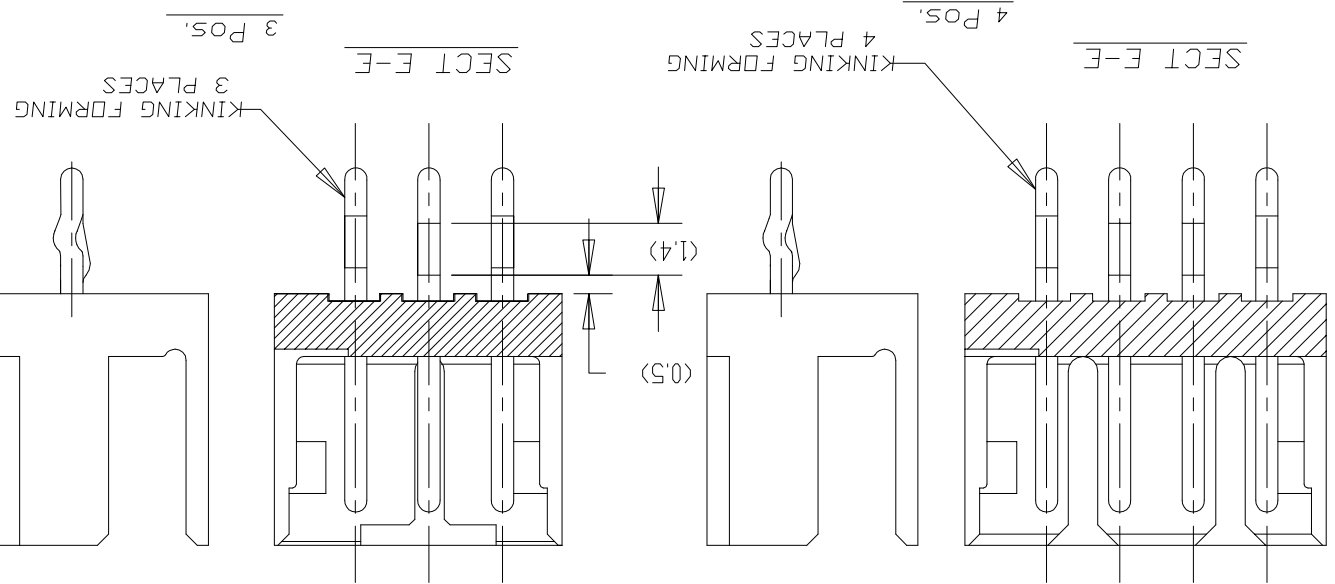
S Pos.



MATERIAL: MM		DIMENSIONS: MM	
FINISH: 4 PLG ±, 3 PLG ±, 2 PLG ±, 1 PLG ±, 0 PLG ±		TOLERANCES UNLESS OTHERWISE SPECIFIED: ±0.2	
APVD: J. JIANG, S. YAO, T. SASAKI		CHK: 23JAN03, 23JAN03	
NAME: Tycos Electronics Corporation		Shanghai, P.R.China, 200233	
PRODUCT SPEC: 108-60016		APPLICATION SPEC: 23JAN03	
WEIGHT: 0.3		SIZE: 00779	
CAGE CODE: 292132		DRAWING NO: 292132	

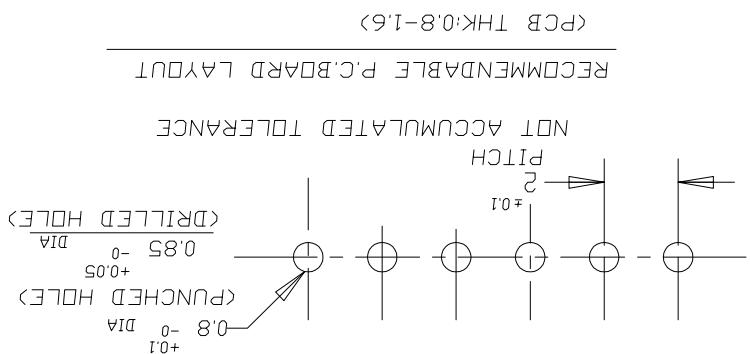
REV A2	SHEET 1 OF 2	SCALE 5:1	CUSTOMER DRAWING
RESTRICTED TO		POST HEADER ASS'Y (BOX-V DIP) (AMP CT CONNECTOR 2mm PITCH)	
Tycos Electronics Corporation		Shanghai, P.R.China, 200233	

PART NO.	Pos.				RED	BLACK	YELLOW	BLUE	NATURAL	A	B	C	D
	1	2	3	4									
7-292132-5	5	5	5	5	-4	-4	-4	-4	-4	28	31.8	25.2	31.0
5-292132-5	3	3	3	3	-4	-4	-4	-4	-4	14	29.8	23.2	29.0
3-292132-5	1	1	1	1	-3	-3	-3	-3	-3	13	27.8	21.2	27.0
1-292132-5	1	1	1	1	-2	-2	-2	-2	-2	12	25.8	19.2	25.0
6-292132-2	6	6	6	6	-4	-4	-4	-4	-4	15	21.0	15.0	21.0
4-292132-2	4	4	4	4	-4	-4	-4	-4	-4	14	17.8	11.2	17.0
2-292132-2	2	2	2	2	-3	-3	-3	-3	-3	10	9.8	3.2	9.0
8-292132-6	8	8	8	8	-6	-6	-6	-6	-6	13	13.8	7.2	13.0
6-292132-2	6	6	6	6	-4	-4	-4	-4	-4	8	11.8	5.2	11.0
6-292132-2	6	6	6	6	-4	-4	-4	-4	-4	6	9.8	3.2	9.0
6-292132-2	6	6	6	6	-3	-3	-3	-3	-3	4	7.8	—	7.0
6-292132-2	6	6	6	6	-2	-2	-2	-2	-2	2	5.8	—	5.0



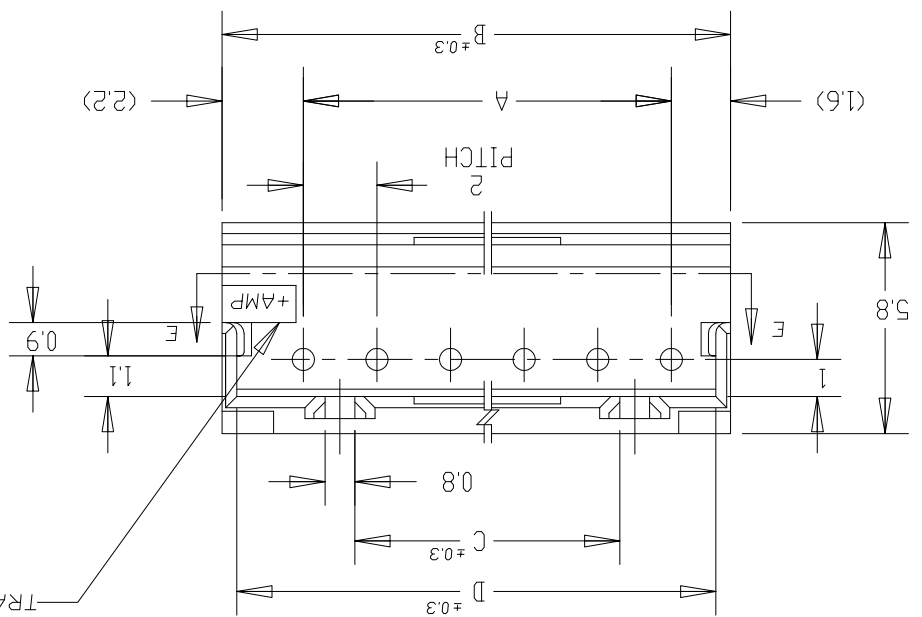
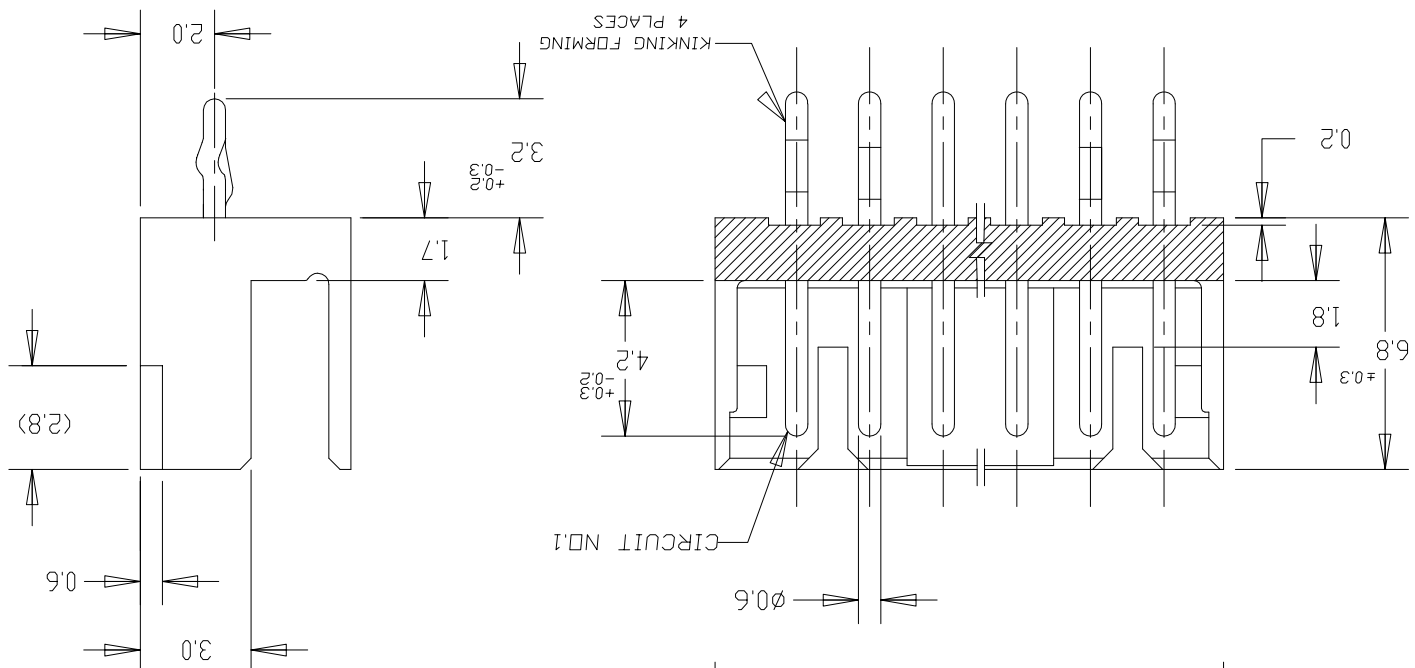
NOTES:
 ▲ MATERIAL: HOUSING - 66 NYLON (UL94V-0)
 POST - TIN BRASS
 7-292132-3 WAS OBSOLETE.

REV A2	REVISED	ECR-14-006619	DATE	DWN	APVD
00	FB	LDC	DIST	00	00



6~15 Pos.

SECT E-E



MATERIAL
MM

DIMENSIONS:

FINISH
ANGLES
±
0 PLC
±
1 PLC
±
2 PLC
±
3 PLC
±
4 PLC

TOLERANCES UNLESS OTHERWISE SPECIFIED:
±0.2

CUSTOMER DRAWING

APVD NAME: Tyco Electronics Corporation
Shanghai, P.R.China, 200233

CHK NAME: Tyco Electronics Corporation

DWN NAME: Tyco Electronics Corporation

PRODUCT SPEC

APPLICATION SPEC

WEIGHT

SIZE 3

CAGE CODE 00779

DRAWING NO 292132

SCALE 5:1

SHEET 2 OF 2

REV A2

RESTRICTED TO

PART NO.	Pos.			
	RED	BLACK	YELLOW	BLUE
6-292132-2	6-3	6-4	6-5	6-6
4-292132-2	4-3	4-4	4-5	4-6
2-292132-2	2-3	2-4	2-5	2-6
8-292132-6	8-6	8-7	8-8	8-9
6-292132-6	6-7	6-8	6-9	6-10
6-292132-6	6-8	6-9	6-10	6-11
6-292132-6	6-9	6-10	6-11	6-12
6-292132-6	6-10	6-11	6-12	6-13
6-292132-6	6-11	6-12	6-13	6-14
6-292132-6	6-12	6-13	6-14	6-15
6-292132-6	6-13	6-14	6-15	6-16
6-292132-6	6-14	6-15	6-16	6-17
6-292132-6	6-15	6-16	6-17	6-18
6-292132-6	6-16	6-17	6-18	6-19
6-292132-6	6-17	6-18	6-19	6-20
6-292132-6	6-18	6-19	6-20	6-21
6-292132-6	6-19	6-20	6-21	6-22
6-292132-6	6-20	6-21	6-22	6-23
6-292132-6	6-21	6-22	6-23	6-24
6-292132-6	6-22	6-23	6-24	6-25
6-292132-6	6-23	6-24	6-25	6-26
6-292132-6	6-24	6-25	6-26	6-27
6-292132-6	6-25	6-26	6-27	6-28
6-292132-6	6-26	6-27	6-28	6-29
6-292132-6	6-27	6-28	6-29	6-30

NOTES:
 MATERIAL: HOUSING - 66 NYLON (UL94V-0)
 POST - TIN BRASS

REV	DESCRIPTION	DATE	DWN	APVD
1	SEE SHEET 1	-	-	-

LDC FB 00
DIST

X-ON Electronics

Largest Supplier of Electrical and Electronic Components

Click to view similar products for [Headers & Wire Housings](#) category:

Click to view products by [TE Connectivity](#) manufacturer:

Other Similar products are found below :

[95000-104TRLF](#) [10135584-644402LF](#) [DF62W-EP2022PCA](#) [95000-106TRLF](#) [DF62W-2022SCA](#) [DF62W-EP2022PC](#) [2203348](#) [DF62W-2022SC](#) [1084018](#) [1029039](#) [1084017](#) [802-10-012-10-002000](#) [1112640](#) [1112639](#) [000-34000](#) [0009482033](#) [0009507031](#) [57102-S06-03LF](#) [57202-S52-04LF](#) [PCN6-15S-2.5E](#) [0039019024](#) [58102-G61-06LF](#) [582553-1](#) [0009485154](#) [0009508121](#) [0022285053](#) [0050291907](#) [018731A](#) [LY20-4P-DT1-P1E-BR](#) [02.125.8002.8](#) [60101931](#) [60598-1 \(Cut Strip\)](#) [M1625-3R/100](#) [61062-3](#) [61082-181009](#) [636-1427](#) [638009-1](#) [641938-9](#) [641991-4](#) [644168-1](#) [647662-1](#) [65039-019ELF](#) [65817-002LF](#) [65817-015LF](#) [65863-015LF](#) [66207-023LF](#) [67016-026LF](#) [67046-001LF](#) [67095-007LF](#) [67230-005LF](#)