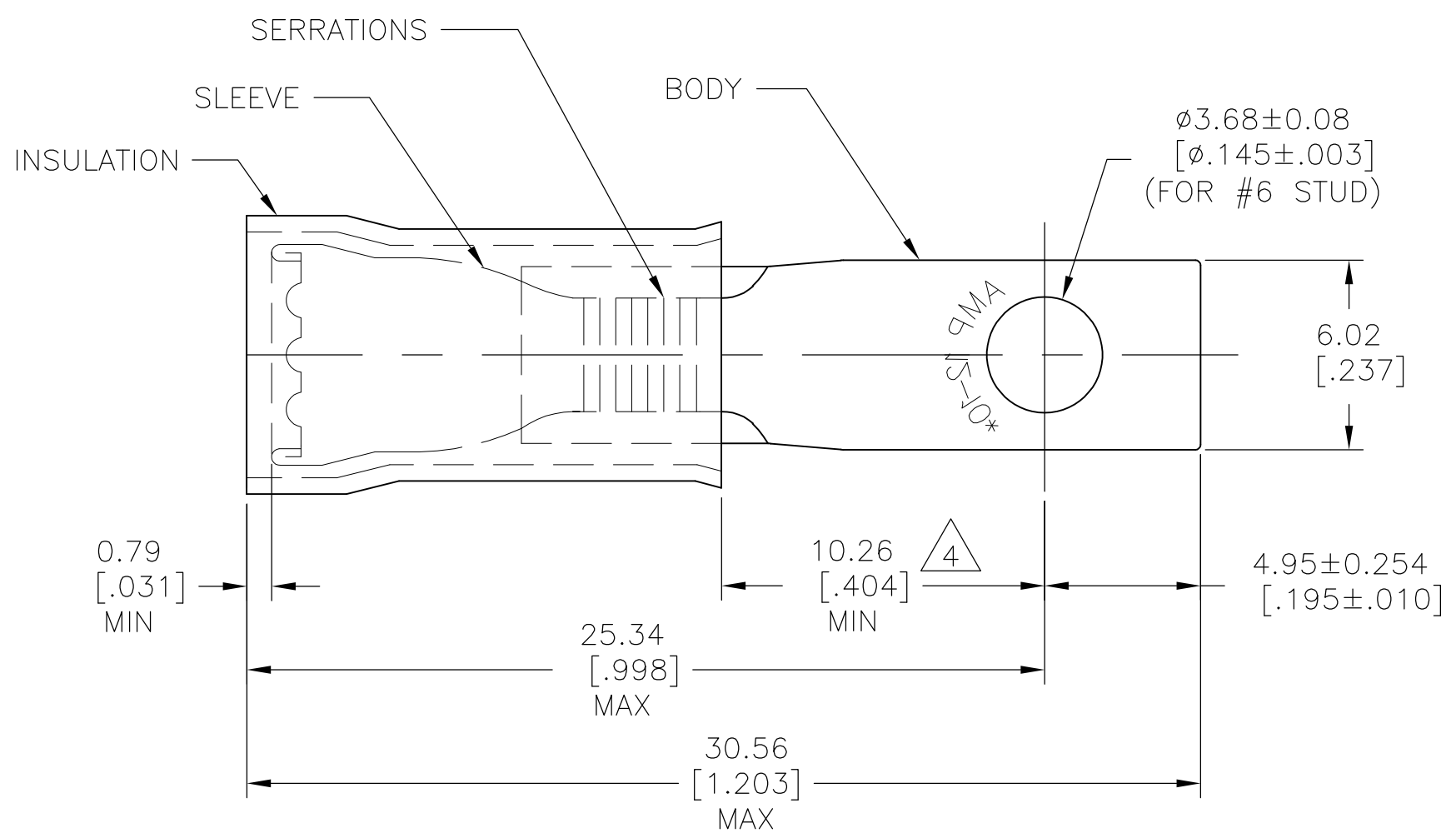


THIS DRAWING IS UNPUBLISHED. RELEASED FOR PUBLICATION  
 © COPYRIGHT - By - ALL RIGHTS RESERVED.

LOC	DIST	REVISIONS					
G	14	P	LTR	DESCRIPTION	DATE	DWN	APVD
			K3	REVISED PER ECO-11-004917	11MAR11	RK	HMR



- 1 TONGUE MATERIAL THK:  $1.02 \pm 0.05$  [.040 ± .002]
- 2 FOR 3.81 [.150] TO 5.84 [.230] WIRE INSULATION DIA
- 3 SUPERSEDED BY 2-327960-1
- 4 APPLIES FROM THE METAL EDGE OF THE BARREL TO THE CENTER OF THE STUD
- 5 MEETS MS17143-15, CLASS 1 & 2
- 6 MEETS MS17143-15, CLASS 2

QTY	DESCRIPTION	MATERIAL & FINISH	PART NO
1	ON TAPE	BODY & SLEEVE: COPPER (ASTM-B152) TIN PL (ASTM-B545)	6 2-327960-2
OBSOLETE 1	2-327960-1 ON TAPE	INSULATION: NYLON (ASTM-D4066) TYPE 1 COLOR: YELLOW	<del>2-327960-3</del>
1	WIRE TERMINAL		5 2-327960-1
1	WIRE TERMINAL	BODY: COPPER (ASTM-B152) TIN PL (ASTM-B545) SLEEVE: COPPER (ASTM-B152) INSULATION: PVC COLOR: YELLOW	3 327960

THIS DRAWING IS A CONTROLLED DOCUMENT.		DWN RAGHAVENDRA 01SEP09	<b>STE</b> TE Connectivity	
DIMENSIONS: mm [INCHES]		CHK JEFF RUTH 01SEP09		
TOLERANCES UNLESS OTHERWISE SPECIFIED:		APVD TOM MICHIELUTTI 01SEP09	NAME	
0 PLC ± - 1 PLC ± - 2 PLC ± - 3 PLC ± 0.20 [.008] 4 PLC ± - ANGLES ± 5°		PRODUCT SPEC	WIRE TERMINAL PIDG - RECTANGULAR TONGUE WIRE SIZE: 12-10	
MATERIAL SEE TABLE		FINISH SEE TABLE	APPLICATION SPEC	RESTRICTED TO
		WEIGHT -	SIZE A3	CAGE CODE 00779
		CUSTOMER DRAWING	DRAWING NO C-327960	RESTRICTED TO -
		SCALE 5:1	SHEET 1 OF 1	REV K3

## X-ON Electronics

Largest Supplier of Electrical and Electronic Components

*Click to view similar products for [Terminals](#) category:*

*Click to view products by [TE Connectivity](#) manufacturer:*

Other Similar products are found below :

[HT-13-10](#) [71M-250-32-NB](#) [01-2065-1-0216](#) [00581P0075](#) [M10-10RX](#) [M10BCK](#) [60205-1](#) [604200-1](#) [60598-1-CUT-TAPE](#) [60617-1-C](#) [60873-1](#) [M14-516R/SK](#) [M14-6RSX](#) [M18-10FLX](#) [M18-8FBX](#) [M18-8R/LX](#) [M18BCK](#) [61314-6-C](#) [61-S](#) [61-SN-A](#) [62-NBM-A](#) [63-S](#) [640179-1](#) [640917-2-CUT-TAPE](#) [6501550002](#) [66107-2-C](#) [696683-1](#) [696834-1](#) [696861-1](#) [696931-1](#) [696999-1](#) [M8-516RK](#) [M86700006](#) [MA250DMFMX-A](#) [701-2007](#) [701-2307](#) [701-7761-03](#) [70F-110-32-PB](#) [718-N-A](#) [71M-187-20-NBL](#) [71M-250-32-NBL](#) [72F-187-20-NBL](#) [72M-250-32-NBL](#) [7310](#) [73F-250-32](#) [73F-250-32-NBL](#) [73F-250-32-NL](#) [F14-10C](#) [F-1M](#) [751-250](#)