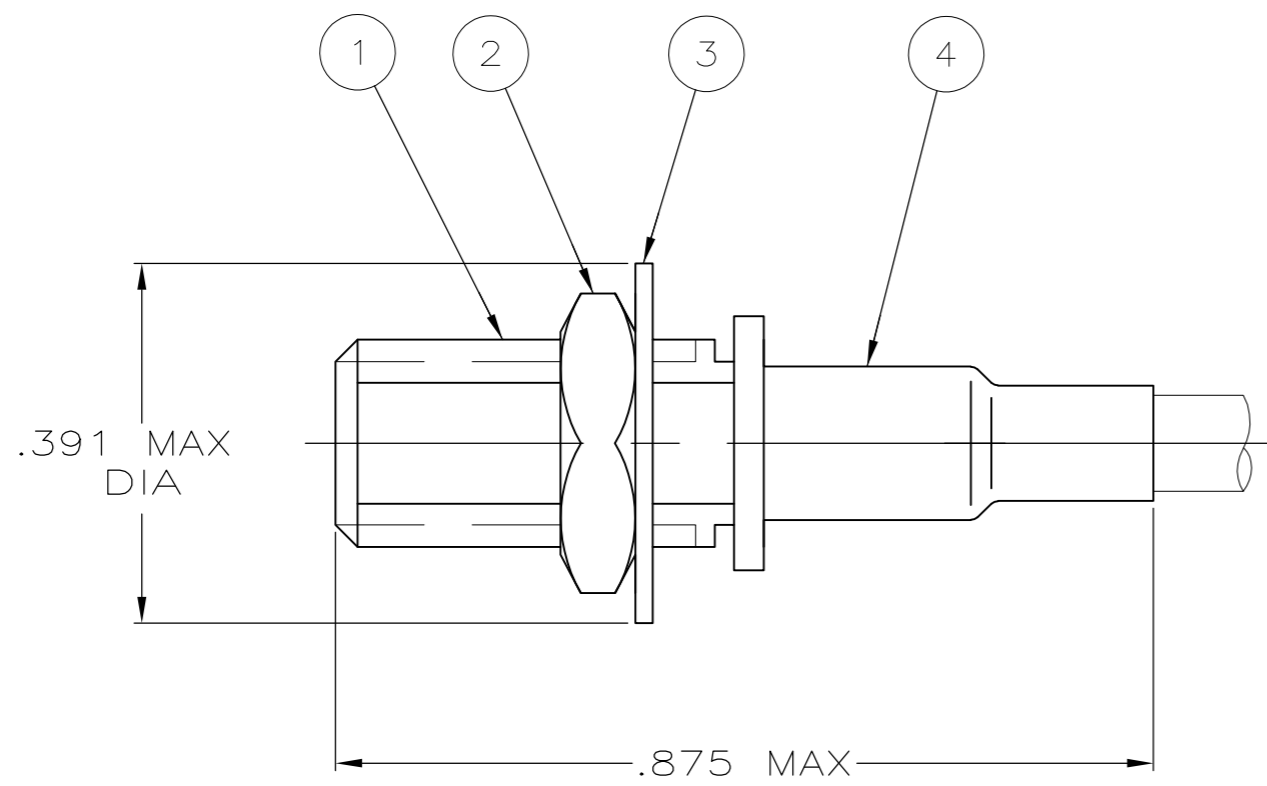
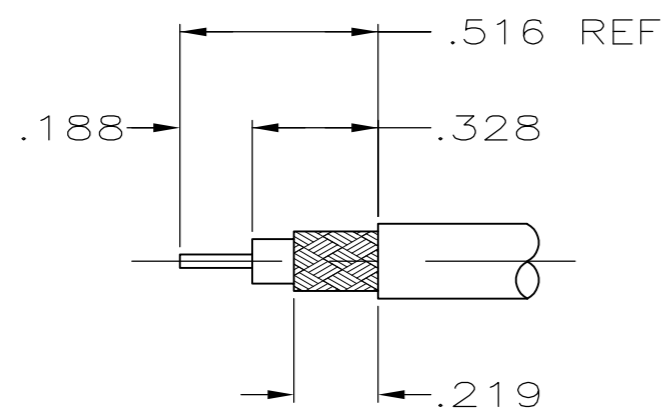


THIS DRAWING IS UNPUBLISHED. RELEASED FOR PUBLICATION  
 © COPYRIGHT - By - ALL RIGHTS RESERVED.

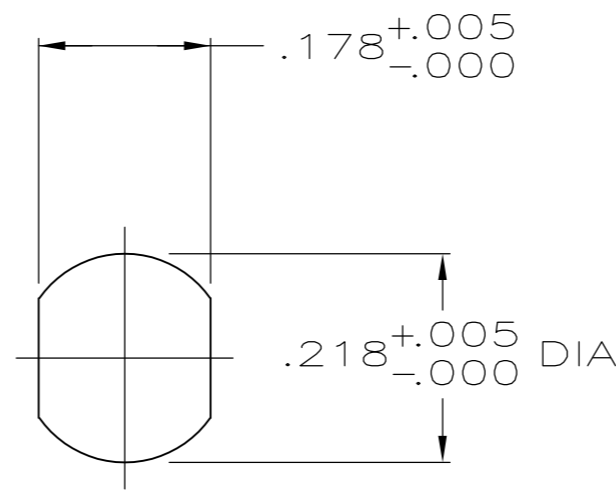
REVISIONS				
P	LTR	DESCRIPTION	DATE	APVD
T1		REV PER ECR-17-009545	14JUL2017	AS RS



- 1. .125 MAX PANEL THICKNESS
- 2. SEE I.S. 1771



RECOMMENDED STRIP LENGTH



RECOMMENED PANEL CUTOUT

	45609 & 69142	RG-161/U,178/U,178A/U, & 196/U	5-329067-0	5-328691-0	5-328690-0	5-330347-0	7-330312-2
	69188-1	RG-174/U,179A/U,187/U,188/U,21-596, & 21-598	5-329038-0	5-328691-0	5-328690-0	5-330347-0	7-330312-1
	69188-1	RG-174/U,179A/U,187/U & 188/U	1-329038-3	1-328691-2	1-328690-2	222262-2	2-330312-8
	45609 & 69142	RG-161/U,178/U,178A/U, & 196/U	1-329067-1	1-328691-2	1-328690-2	222262-2	2-330312-7
OBSOLETE	69188-1	RG-161/U,178/U,178A/U, & 196/U	5-329067-0	5-328691-0	5-328690-0	415158-1	2-330312-6
OBSOLETE	45609 & 69142	RG-174/U,179A/U,187/U,188/U,21-596, & 21-598	5-329038-0	5-328691-0	5-328690-0	415158-1	2-330312-5
	45609 & 69142	RG-174/U,179A/U,187/U,188/U,21-596, & 21-598	5-329038-0	1-328691-3	1-328690-3	222262-1	2-330312-4
	69188-1	RG-161/U,178/U,178A/U, & 196/U	5-329067-0	1-328691-3	1-328690-3	222262-1	2-330312-3
OBSOLETE	69188-1	RG-161/U,178/U,178A/U, & 196/U	5-329067-0	5-328691-0	5-328690-0	5-330347-0	2-330312-2
	45609 & 69142	RG-174/U,179A/U,187/U,188/U,21-596, & 21-598	5-329038-0	5-328691-0	5-328690-0	5-330347-0	2-330312-1
	CRIMP TOOL	CABLE SIZE	④ FERRULE QTY=1	③ LOCKWASHER QTY=1	② JAM NUT QTY=1	① RECEPTACLE ASSEMBLY QTY=1	PART NO

THIS DRAWING IS A CONTROLLED DOCUMENT.

DWN	L. MOSCOSO	9-14-89
CHK	R.E. RUTH	9-14-89
APVD	R. HENRY	9-14-89
PRODUCT SPEC		
APPLICATION SPEC		
WEIGHT	0.000000	
CUSTOMER DRAWING		

**TE** TE Connectivity

CONNECTOR, RECEPTACLE  
SERIES MINIATURE THREADED

SIZE	A2	CAGE CODE	00779	DRAWING NO	C=330312	RESTRICTED TO	-
SCALE	5:1	SHEET	1 of 1	REV	T		

## X-ON Electronics

Largest Supplier of Electrical and Electronic Components

*Click to view similar products for [RF Connectors](#) / [Coaxial Connectors](#) category:*

*Click to view products by [TE Connectivity](#) manufacturer:*

Other Similar products are found below :

[R125315120](#) [8915-1511-000](#) [89674-0827](#) [5916-1103-603](#) [0106-001-000](#) [6-0001-3](#) [6001-7071-019](#) [6002-7051-003](#) [6002-7551-202](#) [6059674-1](#) [619550-1](#) [630059-000](#) [M39012/25-0021](#) [M39012/79-3008](#) [M39030/3-01N](#) [M39030/3-03N](#) [M3933/25-36N](#) [6500-7071-046](#) [6501-1071-002](#) [M83723/72W2457N](#) [6769](#) [CX050L2AQ](#) [7002-1541-010](#) [7002-1572-002](#) [7003-1572-002](#) [7004-1512-000](#) [7009-1511-004](#) [7010-1511-000](#) [7029-1511-060](#) [7101-1541-010](#) [7101-1571-002](#) [7105-1521-002](#) [7145-1521-002](#) [7209-1511-011](#) [7210-1511-012](#) [7210-1511-015](#) [7210-1511-019](#) [7210-1511-040](#) [7225-1512-050](#) [7242-1511-000](#) [73137-5015](#) [73251-0111](#) [73251-0672](#) [73276-1501](#) [73366-0013](#) [73404-2300](#) [73413-6080](#) [73415-5721](#) [7405-1521-005](#) [7405-1521-802](#)