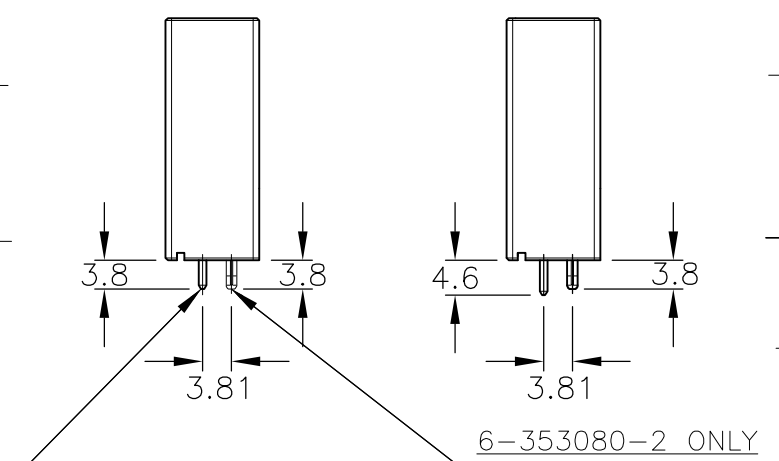
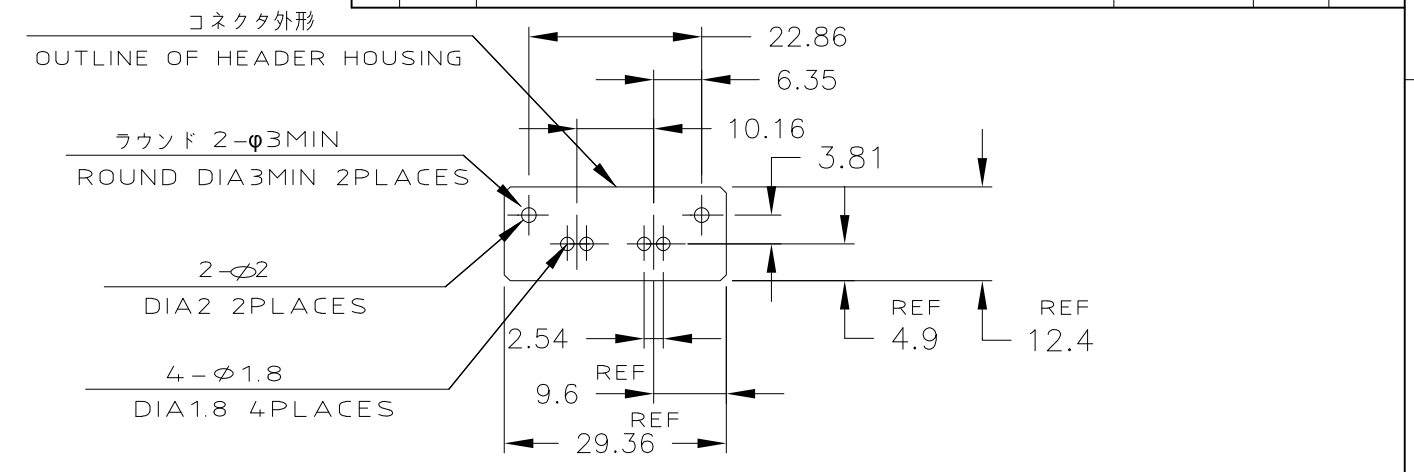
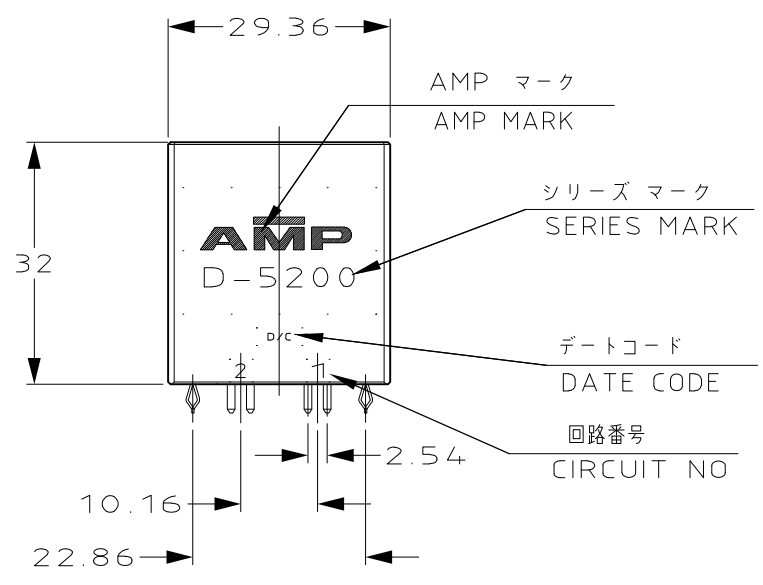
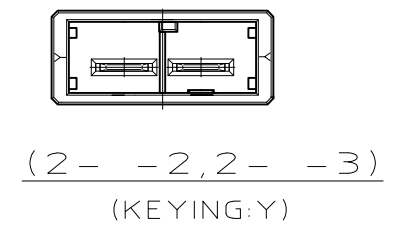
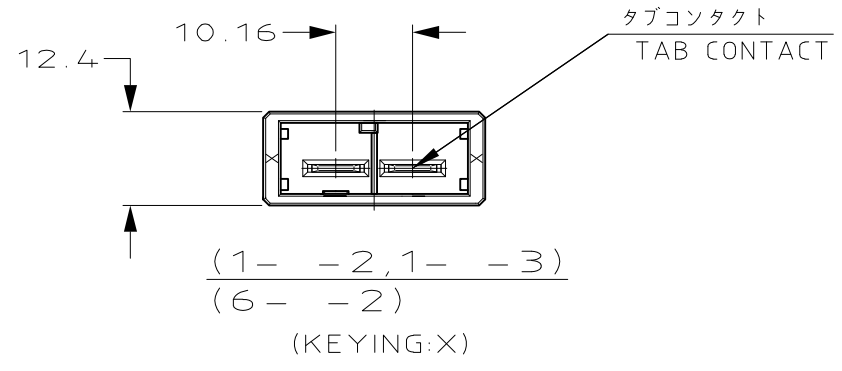


THIS DRAWING IS UNPUBLISHED. RELEASED FOR PUBLICATION
 © COPYRIGHT - Tyco Electronics JAPAN G.K. ALL RIGHTS RESERVED.

| LOC | DIST | REVISIONS | | | | | |
|-----|------|-----------|-----|-------------|---------------|-----------|---------|
| | | P | LTR | DESCRIPTION | DATE | DWN | APVD |
| | | 0 | | REVISED | FJ00-4343-96 | 04JUL1996 | K.I Y.I |
| | | A | | REVISED | FJ00-0096-97 | 03FEB1997 | K.I Y.I |
| | | B | | REVISED | FJD0-0025-03 | 21FEB2003 | T.SSM |
| | | C | | REVISED | FJD0-0039-03 | 03JUN2003 | T.SSM |
| | | D | | REVISED | ECR-12-004468 | 09MAR2012 | H.M N.Y |
| | | E | | REVISED | ECR-15-000660 | 19JAN2015 | K.K N.Y |



| 推奨基板取付け穴寸法 (公差: ±0.05) | RECOMENDED PC BOARD HOLE PATTERN (TOL: ±0.05) |
|-----------------------------------|--|
| PC 基板厚: 1.6 ~ 2.4 ± 0.1 (コネクタ搭載面) | PC BOARD THICKNESS: 1.6 ~ 2.4 ± 0.1 (CONNECTOR MOUNT SIDE) |
| PC 基板厚: 3.2 ± 0.1 6-353080-2 ONLY | PC BOARD THICKNESS: 3.2 ± 0.1 6-353080-2 ONLY |

- 注記
- 材料: ハウジング: ガラス入り熱可塑性ポリエステル樹脂 (94V-0), 色: 黒
 タブコンタクト: 銅合金
 リテンションレグ: 黄銅
 - めっき: コンタクト: 全面Ni下地
 接触部: 0.38 μm MIN 金めっき
 - めっき: コンタクト: 全面Ni下地
 接触部: 0.76 μm MIN 金めっき
 - めっき: リテンションレグとコンタクト半田付部
 : ニッケル下地の上にスズめっき

NOTES

- MATERIAL: HOUSING: GLASS FILED THERMO PLASTIC, POLYESTER (94V-0), COLOR: BLACK
 TAB CONTACT: COPPER ALLOY
 RETENTION LEG: BRASS
- FINISH (CONTACT AREA): 0.38 μm MIN GOLD PLATING OVER Ni PLATING
- FINISH (CONTACT AREA): 0.76 μm MIN GOLD PLATING OVER Ni PLATING
- FINISH (RETENTION LEG): TIN PLATED (CONTACT TAIL) OVER NICKEL

| KEY TYPE | コンタクトのめっき (FINISH) | 製品番号 (PART NO.) |
|----------|--------------------|-----------------|
| Y | ④ ③ | 2-353080-3 |
| | ④ ② | 2-353080-2 |
| X | ④ ③ | 1-353080-3 |
| | ④ ② | 6-353080-2 |
| | ④ ② | 1-353080-2 |

| | | | | |
|--|--|---------------------------|-----------------------------------|-----------------|
| THIS DRAWING IS A CONTROLLED DOCUMENT. | | DWN K.IKEDA 04JUL1996 | TE Connectivity | |
| | | CHK Y.ISHIKAWA 04JUL1996 | | |
| | | APVD S.MANABE 04JUL1996 | NAME | |
| DIMENSIONS: mm | | PRODUCT SPEC 108-5453 | SINGLE ROW HEADER ASSY 2P -V-TYPE | |
| TOLERANCES UNLESS OTHERWISE SPECIFIED: | | APPLICATION SPEC 114-5206 | DYNAMIC D-5200 S | |
| MATERIAL SEE NOTE | | WEIGHT - | SIZE A3 | CAGE CODE 00779 |
| | | CUSTOMER DRAWING | DRAWING NO C-353080 | RESTRICTED TO - |
| | | | SCALE 1:1 | SHEET 1 OF 1 |
| | | | | REV E |

X-ON Electronics

Largest Supplier of Electrical and Electronic Components

Click to view similar products for [Headers & Wire Housings](#) category:

Click to view products by [TE Connectivity](#) manufacturer:

Other Similar products are found below :

[95000-104TRLF](#) [10135584-644402LF](#) [DF62W-EP2022PCA](#) [95000-106TRLF](#) [DF62W-2022SCA](#) [DF62W-EP2022PC](#) [2203348](#) [DF62W-2022SC](#) [1084018](#) [1029039](#) [1084017](#) [802-10-012-10-002000](#) [1112640](#) [1112639](#) [000-34000](#) [0009482033](#) [0009507031](#) [57102-S06-03LF](#) [57202-S52-04LF](#) [PCN6-15S-2.5E](#) [0039019024](#) [58102-G61-06LF](#) [582553-1](#) [0009485154](#) [0009508121](#) [0022285053](#) [0050291907](#) [018731A](#) [LY20-4P-DT1-P1E-BR](#) [02.125.8002.8](#) [60101931](#) [60598-1 \(Cut Strip\)](#) [M1625-3R/100](#) [61062-3](#) [61082-181009](#) [636-1427](#) [638009-1](#) [641938-9](#) [641991-4](#) [644168-1](#) [647662-1](#) [65039-019ELF](#) [65817-002LF](#) [65817-015LF](#) [65863-015LF](#) [66207-023LF](#) [67016-026LF](#) [67046-001LF](#) [67095-007LF](#) [67230-005LF](#)