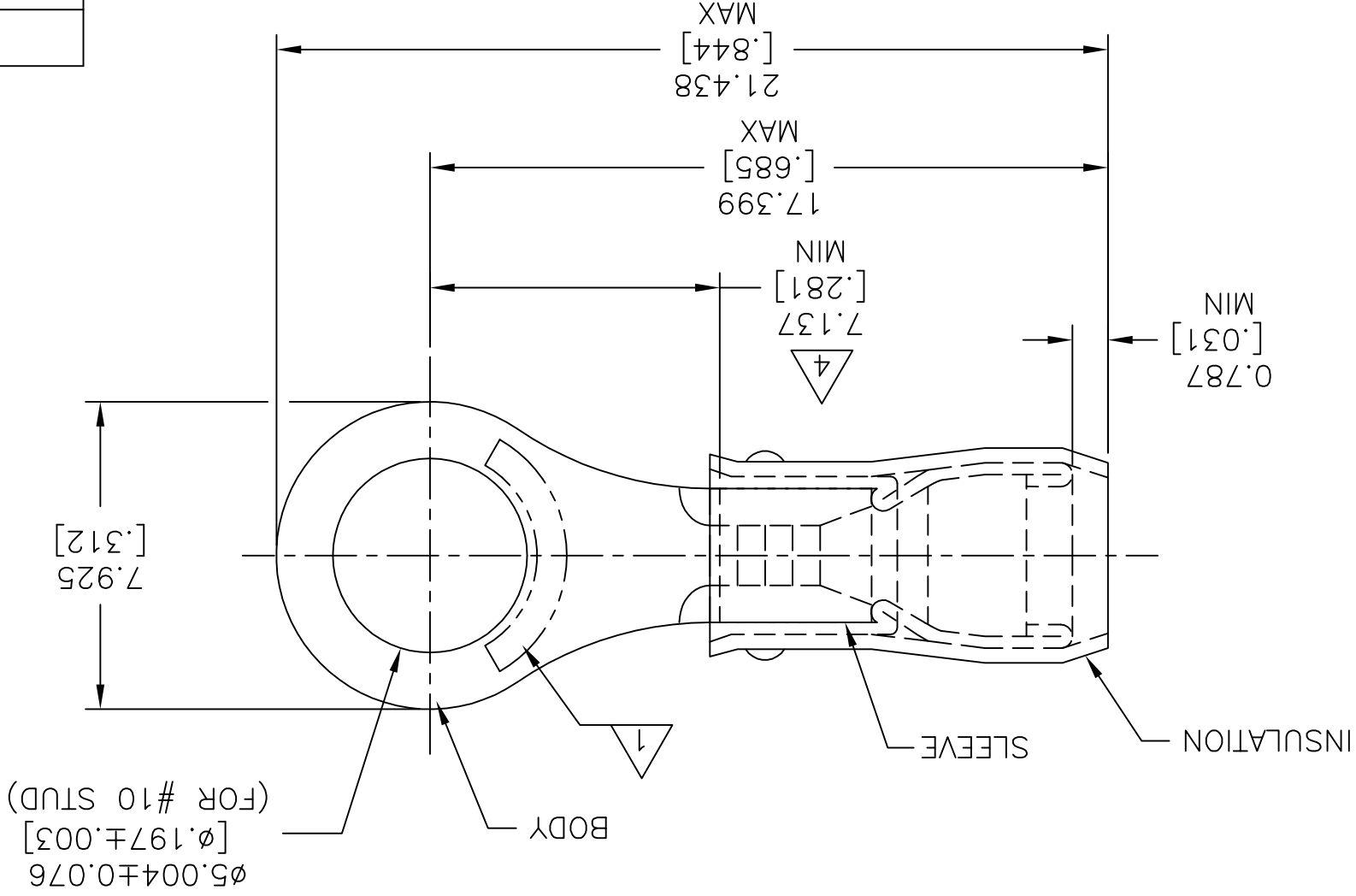


FOR ORDER ENTRY	1-800-526-5142
FOR APPLICATION	TOOLING ASSISTANCE CENTER 1-800-722-1111
FOR ADDITIONAL COPIES OF DRAWINGS AND TECHNICAL DOCUMENTS	PRODUCT INFORMATION CENTER 1-800-522-6752
AMP INCORPORATED CUSTOMER SERVICE SYSTEMS	
MAX RECOMMENDED OPERATING TEMPERATURE: 105°C[221°F] MAX	VOLTAGE RATING: 300 V MAX
CIRCULAR MIL AREA: 0.26-1.65mm <sup>2</sup> [509-3,260] CIR MILS SOLID OR STRANDED	
THIS DRAWING IS A CONTROLLED DOCUMENT FOR AMP INCORPORATED. IT IS SUBJECT TO CHANGE AND THE CONTROLLING ENGINEERING ORGANIZATION SHOULD BE CONTACTED FOR THE LATEST REVISION.	

THIS DRAWING IS A CONTROLLED DOCUMENT.		DIMENSIONS: mm [INCHES]		FINISH		MATERIAL		
DWN DK SCHRUM 9/8/93	CHK RE HERSEY 9/8/93	APVD ML ELLIS 9/8/93	TOLERANCES UNLESS OTHERWISE SPECIFIED:		BODY & SLEEVE: COPPER PER ASTM B-152 INSULATION: NYLON		BODY & SLEEVE: TIN PLATE PER ASTM B545 INSULATION: COLOR-RED	
NAME		SIZE	CAGE CODE	DRAWING NO	WEIGHT	CUSTOMER DRAWING		
TE Connectivity		UL 486 A-B	A3	00779	36153	SCALE NTS		
TERMINAL, RING TONGUE, PIDG, WIRE SIZE, 22-16 AWG		APPLICATION SPEC		DRAWING NO		SHEET 1 OF 2		
RE HERSEY		PRODUCT SPEC		REV AA1		REV AA1		

MILITARY P/N AND CLASS	QUANTITY	PACKAGE TYPE	PART NO
MS25036-103 CLASS 1 & 2	1000	LOOSE PIECE	36153
MS25036-103 CLASS 2	5000	ON TAPE, REEL	2-36153-2
-	100	LOOSE PIECE, BOX	6-36153-1



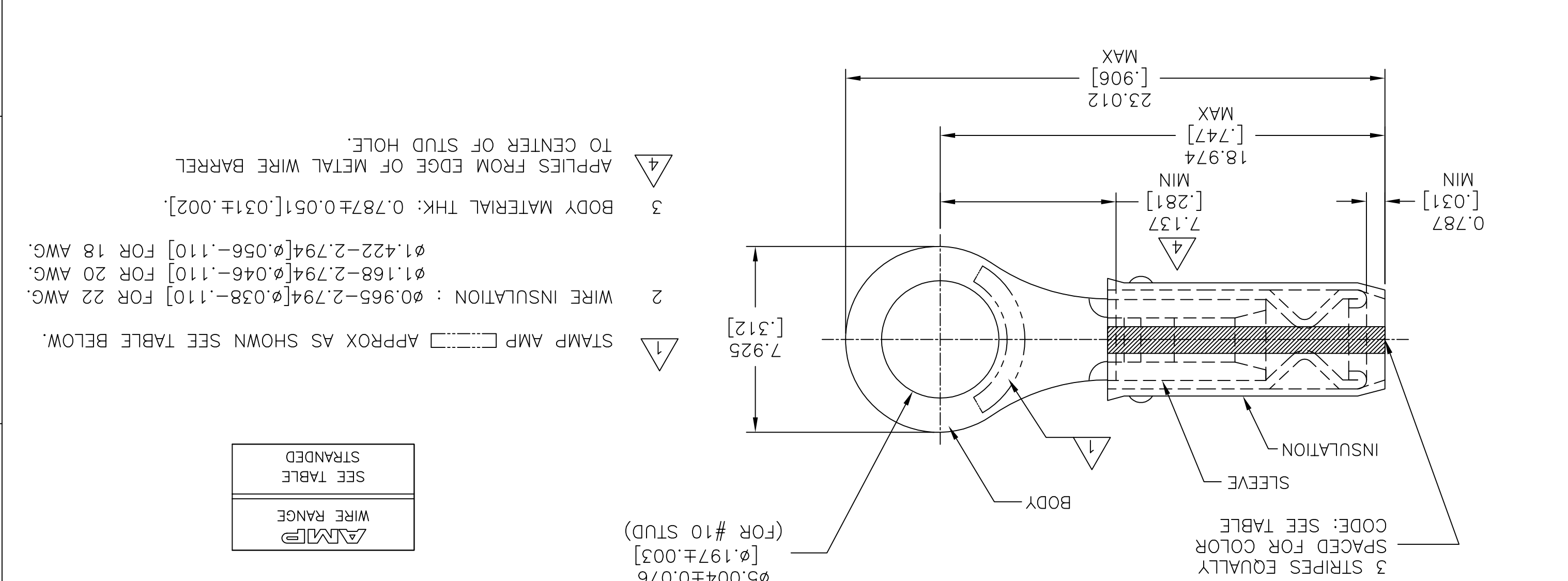
STAMP AMP 22-18\* APPROX AS SHOWN  
 ACCORDANCE WITH MILITARY SPEC MIL-T-7928  
 22-16 TERMINALS ARE STAMPED 22-18 IN  
 COMMERCIAL WIRE RANGE IS 22-16.  
 WIRE INSULATION :  $\phi 2.032-3.175[\phi 0.080-.125]$   
 BODY MATERIAL THK:  $0.787 \pm 0.051[.031 \pm .002]$ .  
 APPLIES FROM EDGE OF METAL WIRE BARREL  
 TO CENTER OF STUD HOLE.

AMP WIRE RANGE E13288	22-16 AWG SOLID OR STRANDED	22-16 AWG SOLID OR STRANDED	22-16 AWG SOLID OR STRANDED
	h Listed		LR7189 Certified

P	LTR	DESCRIPTION	DATE	DWN	APVD
AA	AA	REVISED PER ECO-14-015277	13FEB2015	NK	DR
AA1	AA1	REVISED PER ECO-17-007400	18DEC2017	RS	DR

FOR ORDER ENTRY 1-800-526-5142		FOR ADDITIONAL COPIES OF DRAWINGS AND TECHNICAL DOCUMENTS 1-800-522-6752		FOR APPLICATION TOOLING ASSISTANCE CENTER 1-800-722-1111		FOR ADDITIONAL TOOLING INFORMATION 1-800-722-1111	
AMP INCORPORATED CUSTOMER SERVICE SYSTEMS		MAX RECOMMENDED OPERATING TEMPERATURE: 105°C [221°F] MAX		VOLTAGE RATING: 300 V MAX		THIS DRAWING IS A CONTROLLED DOCUMENT FOR AMP INCORPORATED. IT IS SUBJECT TO CHANGE AND THE CONTROLLING ENGINEERING ORGANIZATION SHOULD BE CONTACTED FOR THE LATEST REVISION.	
MATERIAL BODY & SLEEVE: COPPER PER ASTM B-152 INSULATION: NYLON		FINISH BODY & SLEEVE: TIN PLATE PER ASTM B545 INSULATION: COLOR-RED		DIMENSIONS: mm [INCHES]		TOLERANCES UNLESS OTHERWISE SPECIFIED:	
APPROVALS: DWN DK SCHRUM 9/8/93 CHK RE HERSEY 9/8/93 APVD ML ELLIS 9/8/93		NAME TE Connectivity		DRAWING NO A300779		SCALE NTS	
SHEET 2 OF 2		REV AA1		RESTRICTED TO		CUSTOMER DRAWING	

MILITARY P/N AND CLASS	STRIPE COLOR	STAMPING	WIRE SIZE	QUANTITY	PACKAGE TYPE	PART NO
M7928/1-15 CLASS 1 & 2	GREEN	22*	22	1000	LOOSE PIECE	2-36153-3
M7928/1-24 CLASS 1 & 2	RED	20*	20	1000	LOOSE PIECE	2-36153-4
MS7928/1-33 CLASS 1 & 2	WHITE	18*	18	1000	LOOSE PIECE	2-36153-5
M7928/1-15 CLASS 2	GREEN	22*	22	5000	ON TAPE, REEL	2-36153-6
M7928/1-24 CLASS 2	RED	20*	20	5000	ON TAPE, REEL	2-36153-8
MS7928/1-33 CLASS 2	WHITE	18*	18	5000	ON TAPE, REEL	2-36153-9
-	RED	20*	20	100	LOOSE PIECE, BOX	8-36153-1



REVISIONS	P	LTR	DESCRIPTION	DATE	DWN	APVD
1	-	-	SEE SHEET 1	-	-	-

## X-ON Electronics

Largest Supplier of Electrical and Electronic Components

*Click to view similar products for [Terminals](#) category:*

*Click to view products by [TE Connectivity](#) manufacturer:*

Other Similar products are found below :

[HT-13-10](#) [71M-250-32-NB](#) [01-2065-1-0216](#) [00581P0075](#) [M10-10RX](#) [M10BCK](#) [60205-1](#) [604200-1](#) [60598-1-CUT-TAPE](#) [60617-1-C](#) [60873-1](#) [M14-516R/SK](#) [M14-6RSX](#) [M18-10FLX](#) [M18-8FBX](#) [M18-8R/LX](#) [M18BCK](#) [61314-6-C](#) [61-S](#) [61-SN-A](#) [62-NBM-A](#) [63-S](#) [640179-1](#) [640917-2-CUT-TAPE](#) [6501550002](#) [66107-2-C](#) [696683-1](#) [696834-1](#) [696861-1](#) [696931-1](#) [696999-1](#) [M8-516RK](#) [M86700006](#) [MA250DMFMX-A](#) [701-2007](#) [701-2307](#) [701-7761-03](#) [70F-110-32-PB](#) [718-N-A](#) [71M-187-20-NBL](#) [71M-250-32-NBL](#) [72F-187-20-NBL](#) [72M-250-32-NBL](#) [7310](#) [73F-250-32](#) [73F-250-32-NBL](#) [73F-250-32-NL](#) [F14-10C](#) [F-1M](#) [751-250](#)