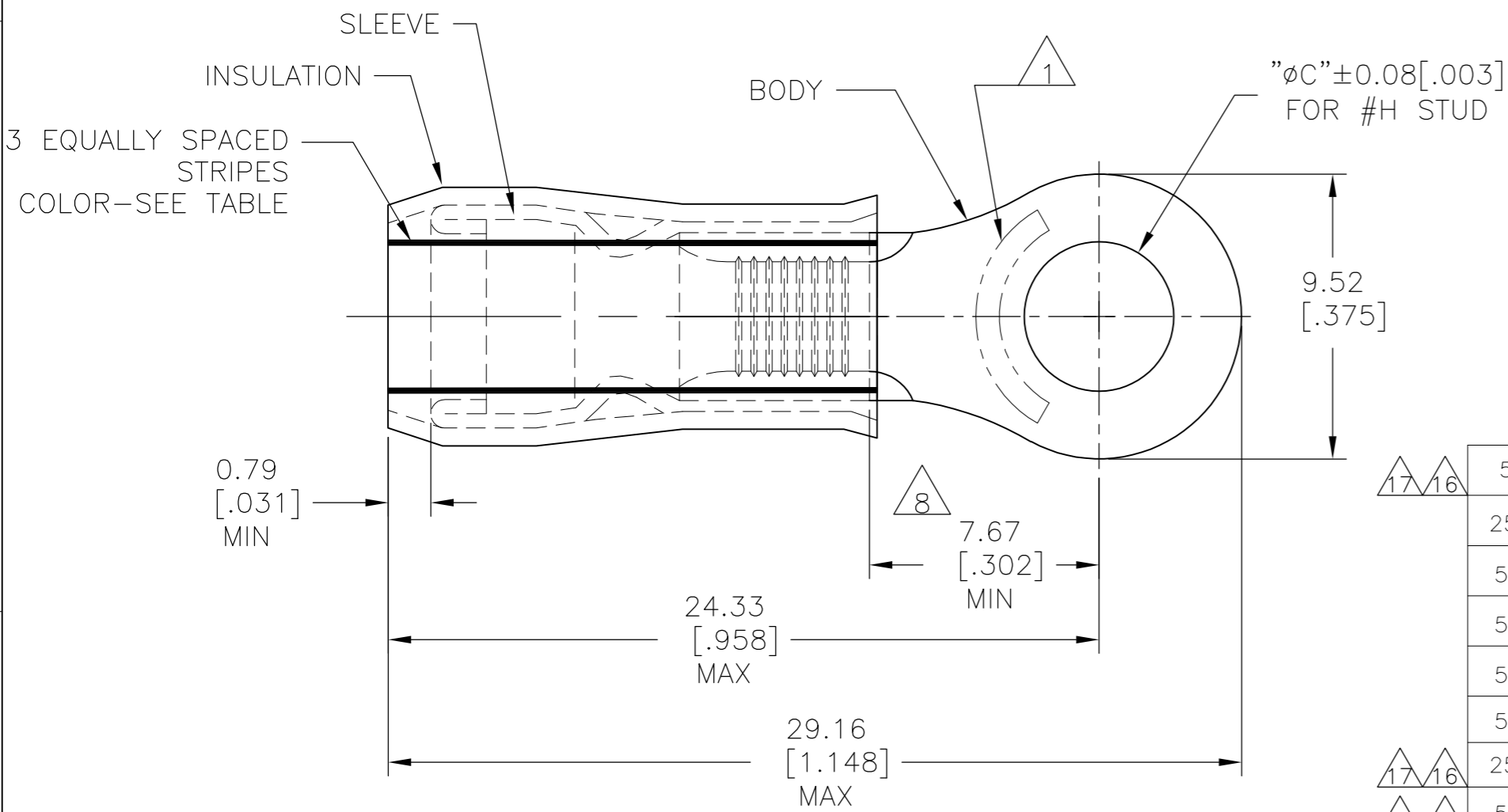
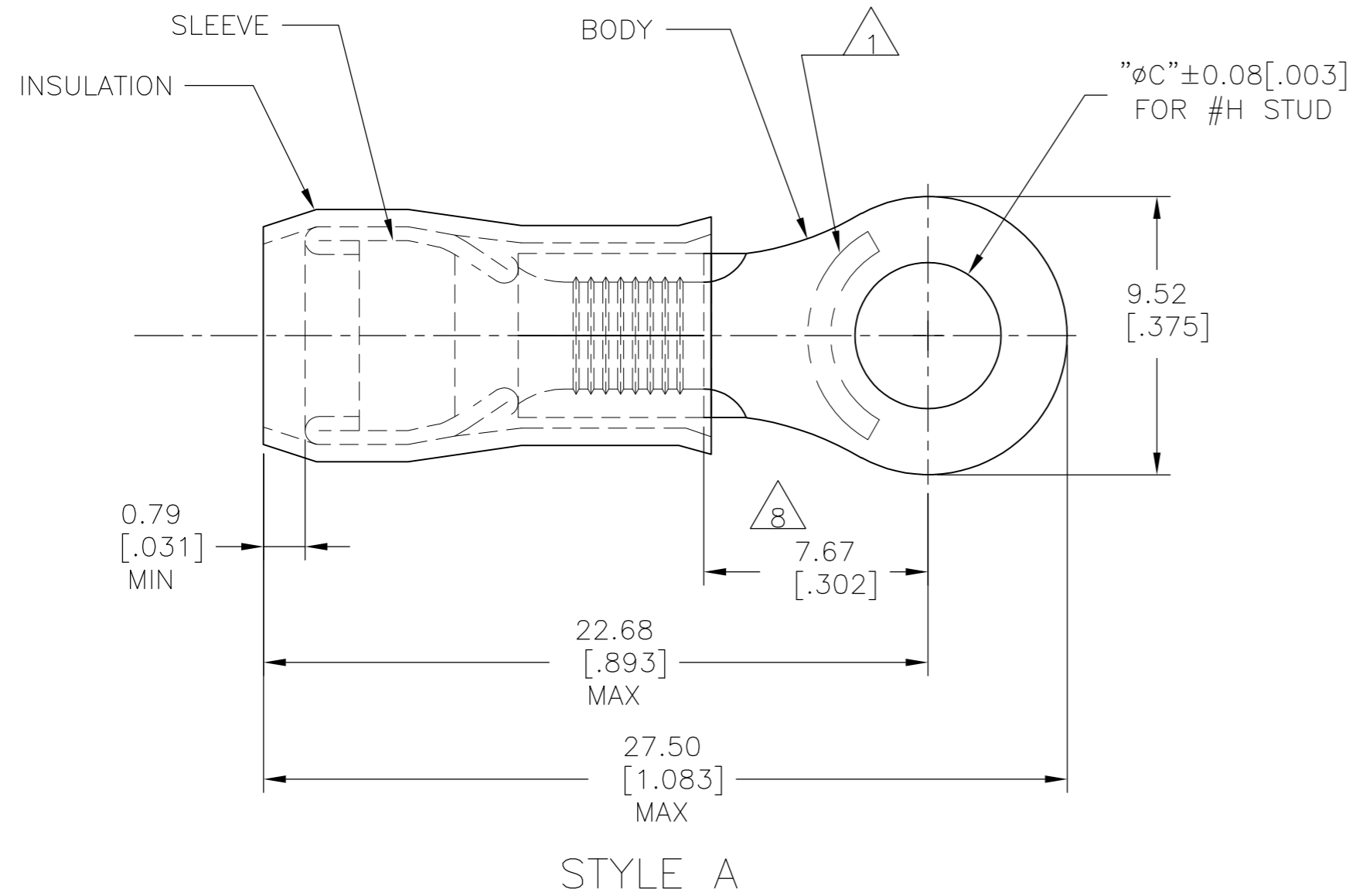


THIS DRAWING IS UNPUBLISHED. RELEASED FOR PUBLICATION
 © COPYRIGHT - By - ALL RIGHTS RESERVED.

REVISIONS				
P	LTR	DESCRIPTION	DATE	APVD
AA2		REVISED PER ECO-16-014868	19OCT2016	RS DR

AMP WIRE RANGE	$\triangle 16$ $\triangle L$ E13288 Listed
12-10 AWG SOLID OR STRANDED	12-10 AWG SOLID OR STRANDED
$\triangle 17$ $\triangle L$ LR7189 Certified	
12-10 AWG SOLID OR STRANDED	



- $\triangle 1$ STAMP "AMP - SEE TABLE" APPROX AS SHOWN.
- $\triangle 2$ WIRE INSULATION DIA: SEE TABLE.
- $\triangle 3$ TONGUE MATERIAL THK: 0.99±0.05[.039±.002].
- $\triangle 4$ BODY: TIN PLATE 0.00254[.000100] MIN EXT THK PER ASTM B545.
- $\triangle 5$ SLEEVE: TIN PLATE 0.00254[.000100] MIN EXT THK PER ASTM B545.
- $\triangle 6$ SLEEVE: NICKEL PLATE PER SAE AMS QQ-N-290.
- $\triangle 7$ BODY & SLEEVE- CU PER ASTM B152
INSULATION - NYLON PER ASTM D4066
COLOR - YELLOW.
- $\triangle 8$ APPLIES FROM EDGE OF METAL WIRE BARREL TO CENTER OF STUD HOLE.
- $\triangle 9$ MEETS MS25036-112, CLASS 1 & 2.
- $\triangle 10$ MEETS MS25036-112, CLASS 2.
- $\triangle 11$ MEETS M7928/1-58, CLASS 1 & 2.
- $\triangle 12$ MEETS M7928/1-65, CLASS 1 & 2.
- $\triangle 13$ MEETS M7928/1-56, CLASS 1 & 2.
- $\triangle 14$ MEETS M7928/1-63, CLASS 1 & 2.
- $\triangle 15$ NOTE DELETED.

QTY	PACKAGE TYPE	"H"	"C"	STAMPING	WIRE INSUL DIA	WIRE SIZE	STRIPE COLOR	STYLE	BODY FINISH	SLEEVE FINISH	PART NO
50	LOOSE PIECE, BOX	#10	5.00[.197]	12-10	3.81[.150]-5.84[.230]	12-10	--	A	$\triangle 4$	$\triangle 5$	8-36161-2
2500	ON TAPE & REEL	#10	5.00[.197]	12	3.02[.119]-5.08[.200]	12	BROWN	B	$\triangle 4$	$\triangle 6$ $\triangle 12$	2-36161-8
500	LOOSE PIECE	[#6]M3.5	3.68[.145]	10	3.02[.119]-5.08[.200]	10	BROWN	B	$\triangle 4$	$\triangle 6$ $\triangle 14$	2-36161-6
500	LOOSE PIECE	[#6]M3.5	3.68[.145]	12	2.41[.095]-5.08[.200]	12	YELLOW	B	$\triangle 4$	$\triangle 6$ $\triangle 13$	2-36161-5
500	LOOSE PIECE	#10	5.00[.197]	10	3.02[.119]-5.08[.200]	10	BROWN	B	$\triangle 4$	$\triangle 6$ $\triangle 12$	2-36161-4
500	LOOSE PIECE	#10	5.00[.197]	12	2.41[.095]-5.08[.200]	12	YELLOW	B	$\triangle 4$	$\triangle 6$ $\triangle 11$	2-36161-3
2500	ON TAPE & REEL	#10	5.00[.197]	12-10	3.81[.150]-5.84[.230]	12-10	--	A	$\triangle 4$	$\triangle 5$ $\triangle 10$	2-36161-2
500	LOOSE PIECE	#10	5.00[.197]	12-10	3.81[.150]-5.84[.230]	12-10	--	A	$\triangle 4$	$\triangle 5$ $\triangle 9$	36161

STYLE B
INSULATION RESTRICTING

AMP INCORPORATED
CUSTOMER SERVICE SYSTEMS

FOR ADDITIONAL PRODUCT INFORMATION OR COPIES OF DRAWINGS AND TECHNICAL DOCUMENTS	PRODUCT INFORMATION CENTER 1-800-522-6752	MAX RECOMMENDED OPERATING TEMPERATURE: 105°C[221°F] MAX
FOR APPLICATION TOOLING INFORMATION	TOOLING ASSISTANCE CENTER 1-800-722-1111	VOLTAGE RATING: 300 VOLT MAX
FOR ORDER ENTRY	1-800-526-5142	CIRCULAR MIL AREA: 2.62-6.64mm[5,180-13,100] STRANDED OR SOLID

THIS DRAWING IS A CONTROLLED DOCUMENT.

DWN JR RUTH 17DEC09	TE Connectivity
CHK T MICHIELUTTI 17DEC09	
APVD T MICHIELUTTI 17DEC09	
PRODUCT SPEC	
APPLICATION SPEC	NAME TERMINAL, RING TONGUE, PIDG WIRE SIZE: 12-10 AWG
WEIGHT	SIZE A2
CUSTOMER DRAWING	CAGE CODE 00779
	DRAWING NO C=36161
	RESTRICTED TO
	SCALE 5:1
	SHEET 1 of 1
	REV AA2

X-ON Electronics

Largest Supplier of Electrical and Electronic Components

Click to view similar products for [Terminals](#) category:

Click to view products by [TE Connectivity](#) manufacturer:

Other Similar products are found below :

[HT-13-10](#) [71M-250-32-NB](#) [01-2065-1-0216](#) [00581P0075](#) [M10-10RX](#) [M10BCK](#) [60205-1](#) [604200-1](#) [60598-1-CUT-TAPE](#) [60617-1-C](#) [60873-1](#) [M14-516R/SK](#) [M14-6RSX](#) [M18-10FLX](#) [M18-8FBX](#) [M18-8R/LX](#) [M18BCK](#) [61314-6-C](#) [61-S](#) [61-SN-A](#) [62-NBM-A](#) [63-S](#) [640179-1](#) [640917-2-CUT-TAPE](#) [6501550002](#) [66107-2-C](#) [696683-1](#) [696834-1](#) [696861-1](#) [696931-1](#) [696999-1](#) [M8-516RK](#) [M86700006](#) [MA250DMFMX-A](#) [701-2007](#) [701-2307](#) [701-7761-03](#) [70F-110-32-PB](#) [718-N-A](#) [71M-187-20-NBL](#) [71M-250-32-NBL](#) [72F-187-20-NBL](#) [72M-250-32-NBL](#) [7310](#) [73F-250-32](#) [73F-250-32-NBL](#) [73F-250-32-NL](#) [F14-10C](#) [F-1M](#) [751-250](#)