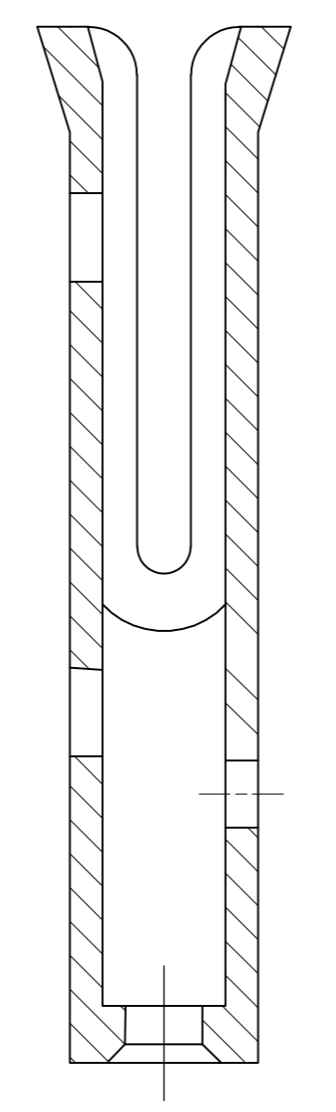
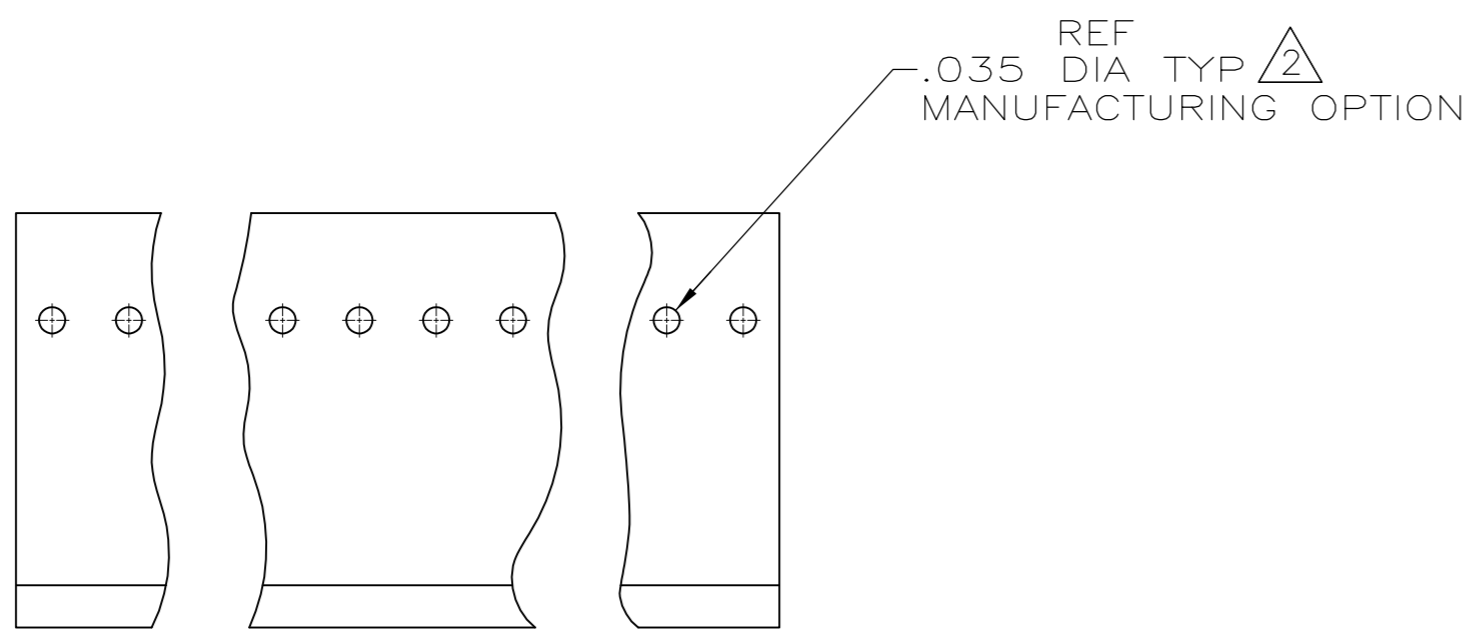
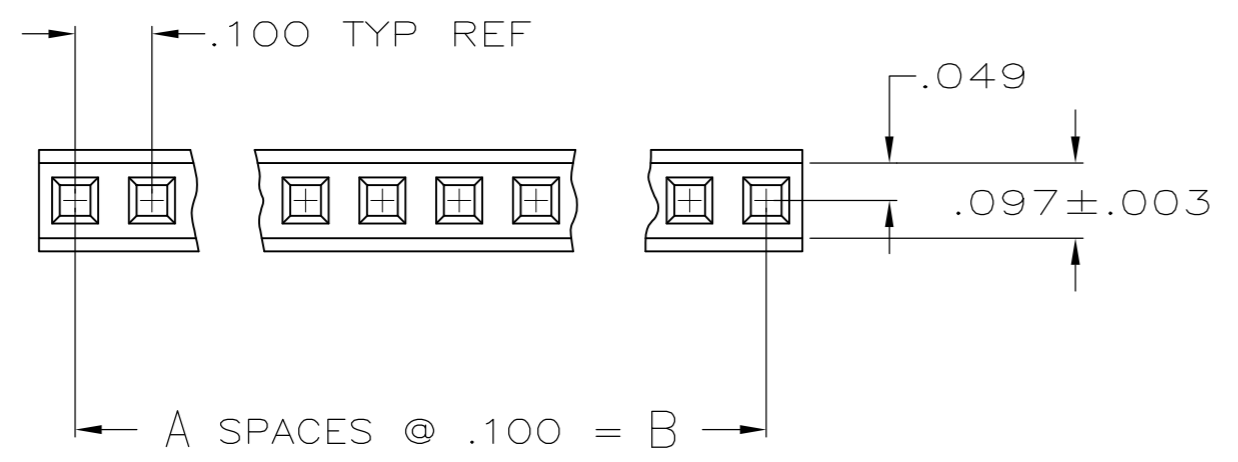
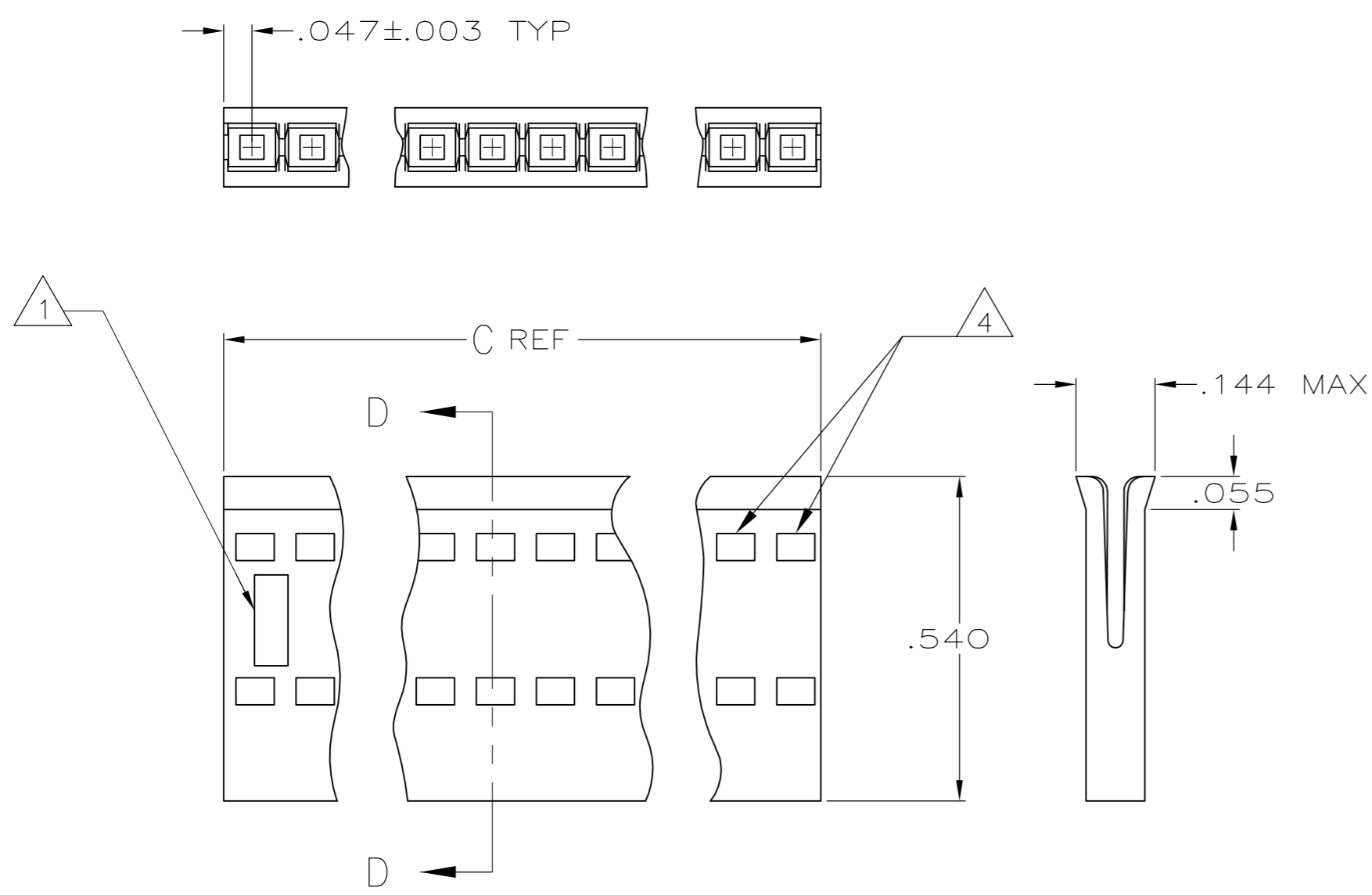


THIS DRAWING IS UNPUBLISHED. RELEASED FOR PUBLICATION
 © COPYRIGHT - By - ALL RIGHTS RESERVED.

| LOC | DIST | REVISIONS | | | | | |
|-----|------|-----------|-----|---------------------------|-----------|-----|------|
| GP | 00 | P | LTR | DESCRIPTION | DATE | DWN | APVD |
| | | V | | REVISED PER ECO-11-017188 | 06DEC2011 | CJV | CWR |



SECTION D-D

- 1 AMP TRADEMARK AND MOLD CAVITY IDENTIFICATION LOCATED AT EITHER END OF THE HOUSING IN APPROXIMATE LOCATION SHOWN.
- 2 THIS HOLE IS FOR MOLDING PURPOSES ONLY AND MAY BE FLASHED OVER.
- 3 OBSOLETE PARTS: OBSOLETE CIS STREAMLINING PER D.RENAUD/D.SINISI.
- 4 WINDOWS MAY OR MAY NOT BE PRESENT ON THIS END OF THE HOUSING.

| | | | | | |
|------------|-------|-------|-------------|-----------------|------------|
| OBSOLETE | 2.594 | 2.500 | 25 | 26 | 2-487378-6 |
| | 3.394 | 3.300 | 33 | 34 | 2-487378-5 |
| 3 OBSOLETE | 2.494 | 2.400 | 24 | 25 | 2-487378-4 |
| | 2.394 | 2.300 | 23 | 24 | 2-487378-3 |
| 3 OBSOLETE | 2.294 | 2.200 | 22 | 23 | 2-487378-2 |
| | 2.194 | 2.100 | 21 | 22 | 2-487378-1 |
| | 2.094 | 2.000 | 20 | 21 | 2-487378-0 |
| | 1.994 | 1.900 | 19 | 20 | 1-487378-9 |
| | 1.894 | 1.800 | 18 | 19 | 1-487378-8 |
| | 1.794 | 1.700 | 17 | 18 | 1-487378-7 |
| | 1.694 | 1.600 | 16 | 17 | 1-487378-6 |
| | 1.594 | 1.500 | 15 | 16 | 1-487378-5 |
| | 1.494 | 1.400 | 14 | 15 | 1-487378-4 |
| | 1.394 | 1.300 | 13 | 14 | 1-487378-3 |
| | 1.294 | 1.200 | 12 | 13 | 1-487378-2 |
| | 1.194 | 1.100 | 11 | 12 | 1-487378-1 |
| | 1.094 | 1.000 | 10 | 11 | 1-487378-0 |
| | .994 | .900 | 9 | 10 | 487378-9 |
| | .894 | .800 | 8 | 9 | 487378-8 |
| | .794 | .700 | 7 | 8 | 487378-7 |
| | .694 | .600 | 6 | 7 | 487378-6 |
| | .594 | .500 | 5 | 6 | 487378-5 |
| | .494 | .400 | 4 | 5 | 487378-4 |
| | .394 | .300 | 3 | 4 | 487378-3 |
| | .294 | .200 | 2 | 3 | 487378-2 |
| | .194 | .100 | 1 | 2 | 487378-1 |
| C REF | B | A | NO OF POSNS | PRODUCT PART NO | |

THIS DRAWING IS A CONTROLLED DOCUMENT. DWN D. DOLLYHIGH 10-17-84
 CHK D.R. WORTHINGTON 10-17-84

DIMENSIONS: INCHES TOLERANCES UNLESS OTHERWISE SPECIFIED:
 0 PLC ± -
 1 PLC ± -
 2 PLC ± -
 3 PLC ± .005
 4 PLC ± -
 ANGLES ± -
 FINISH -

MATERIAL THERMOPLASTIC.

PRODUCT SPEC 108-9024
 APPLICATION SPEC 114-16015
 WEIGHT -

NAME HOUSING, RECEPTACLE, FFC
 SIZE A2 CAGE CODE 00779 DRAWING NO C=487378
 RESTRICTED TO -

CUSTOMER DRAWING SCALE NTS SHEET 1 of 1 REV V

X-ON Electronics

Largest Supplier of Electrical and Electronic Components

Click to view similar products for [FFC & FPC Connectors](#) category:

Click to view products by [TE Connectivity](#) manufacturer:

Other Similar products are found below :

[HFW11R-1STE1H1LF](#) [FH29B-100S-0.2SHW\(99\)](#) [FA5S008HP1](#) [FH29B-120S-0.2SHW\(99\)](#) [FH29B-80S-0.2SHW\(99\)](#) [FHS-16](#) [FPH-2022G](#)
[52610-1075](#) [52610-1275](#) [52610-1934](#) [XF3M\(1\)-1415-1B-R100](#) [501864-3091-TR225](#) [0525594033](#) [086210010340800](#) [086222026001800](#)
[52271-2869-CUT-TAPE](#) [62674-201121DLF](#) [62684-36210E9ALF](#) [52610-1675](#) [52746-1671-TR250](#) [10051922-2810EHLF](#) [6-520415-9](#)
[BD021-09A-A1-0350-0200-0550-LD](#) [SFV6R-1STE9HLF](#) [XF3M-2915-1B-R100](#) [1658549-1](#) [62674-221121ALF](#) [46214008010800](#)
[046298003000883](#) [151660622](#) [842-816-2630-035](#) [AYF530665TA](#) [AYF351525](#) [046296011930846+](#) [AYF352325A](#) [046254020000800+](#)
[FH19C-13S-0.5SH\(99\)](#) [FH39J-51S-0.3SHW\(99\)](#) [AYF355125A](#) [AYF530365TA](#) [FH29B-44S-0.2SHW\(99\)](#) [SFW5R-2STAE9LF](#) [AYF351125A](#)
[AYF350725A](#) [62684-502100AHLF](#) [FH39-61S-0.3SHW\(99\)](#) [AYF414035A](#) [10064555-172520HLF](#) [AYF212335A](#) [504754-2500](#)