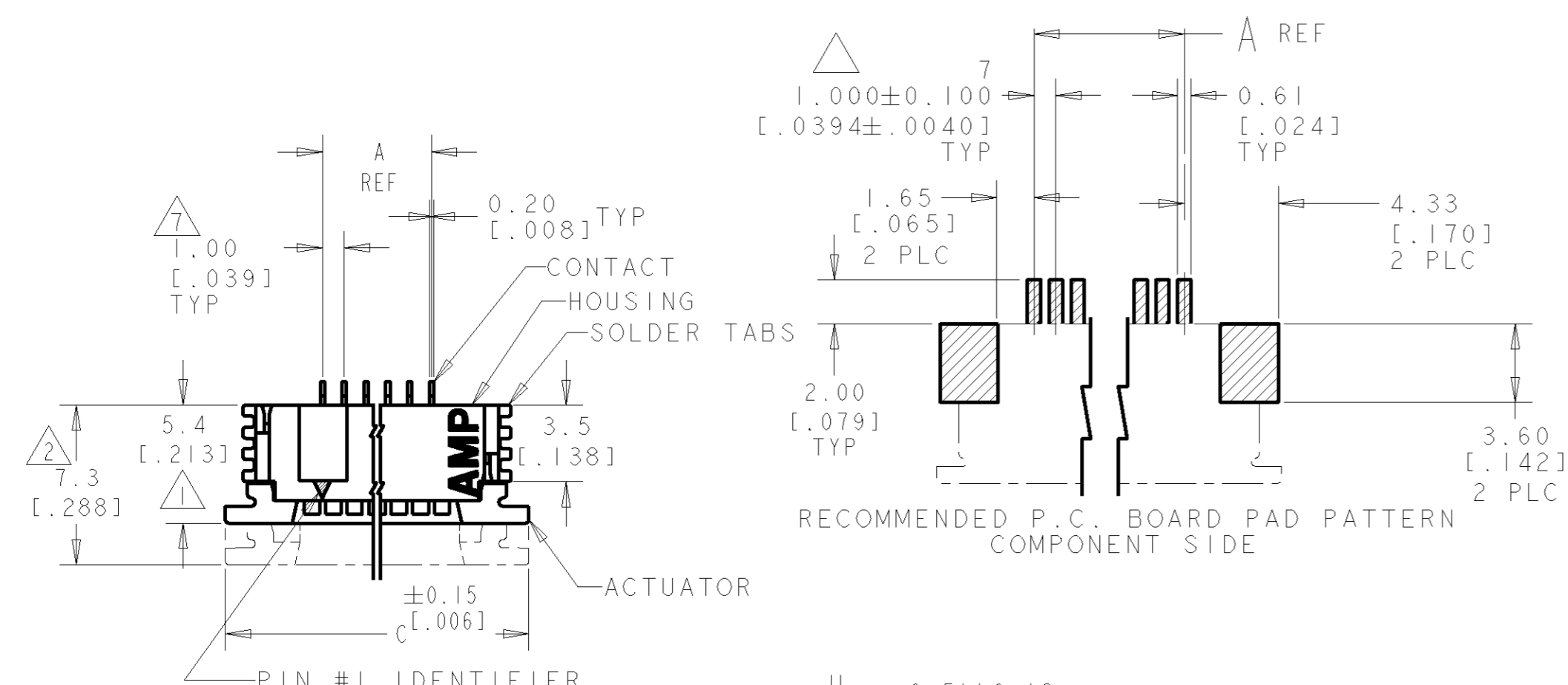
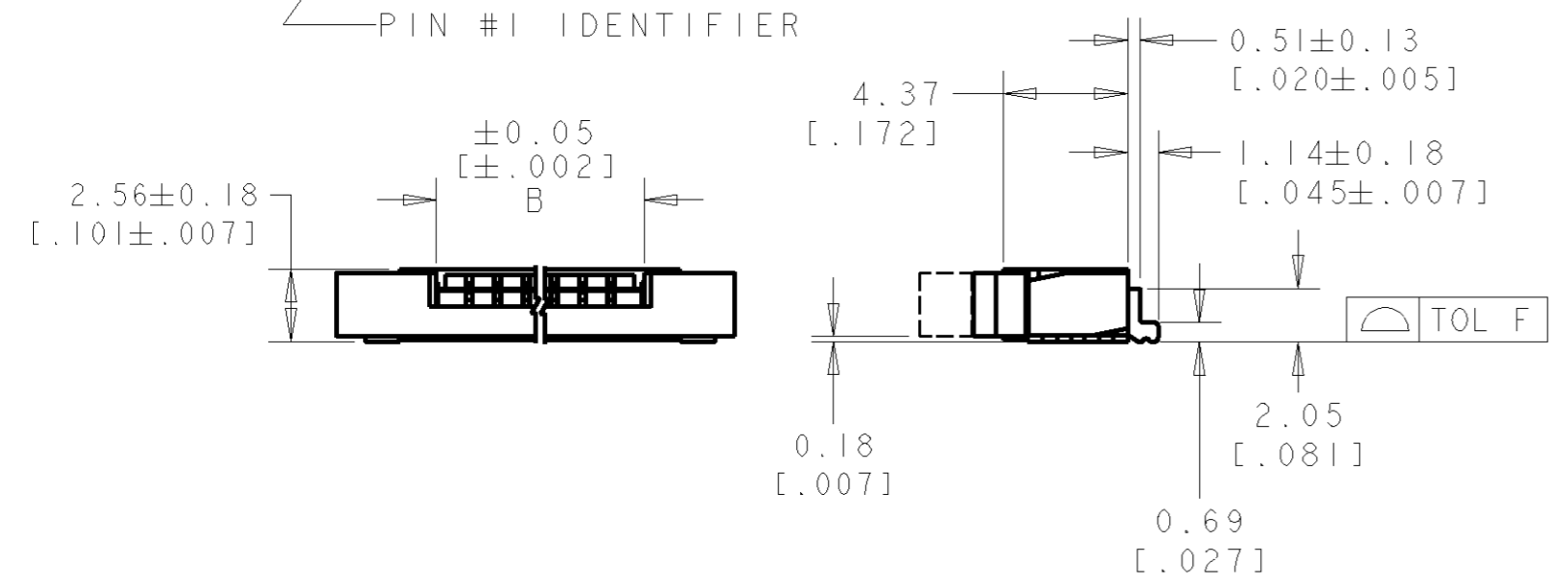


LOC		DIST		REVISIONS			
ZONE	LTR	DESCRIPTION	DATE	APPD			
DY	-			J3	REVISED PER ECO-11-005139	19MAR11	HMR



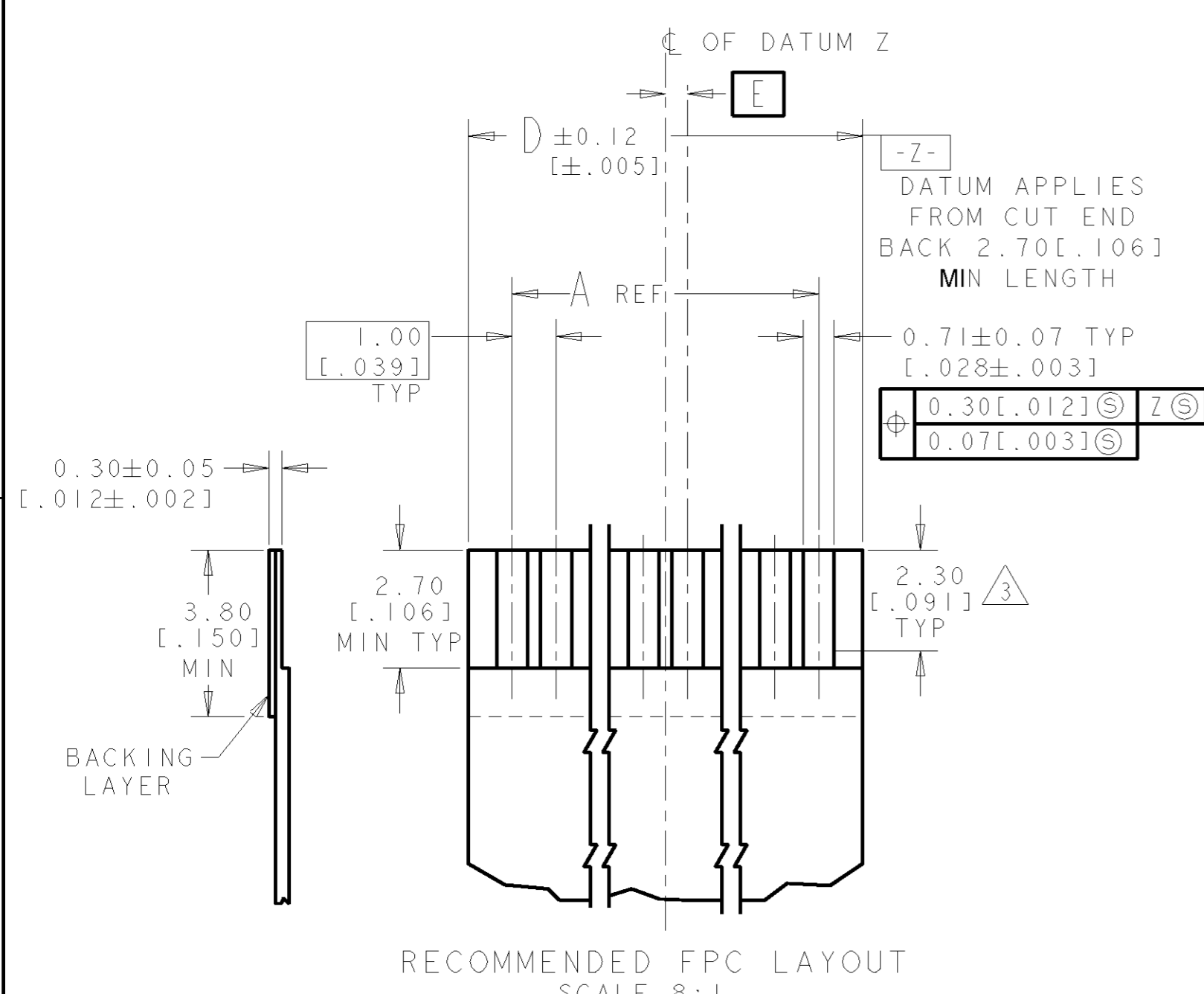
- ① DIMENSION APPLIES WHEN ACTUATOR IS IN CLOSED POSITION.
- ② DIMENSION APPLIES WHEN ACTUATOR IS IN OPEN POSITION.
- ③ MAXIMUM ENGAGEMENT LENGTH TO CONTACT POINT.
- ④ 0.0038[.000150] MIN. TIN/LEAD OVER 0.0013[.000050] MIN. NICKEL.
- ⑤ 0.0013[.000050] MIN. TIN.
- ⑥ PACKAGE PER EIA 481 SPECIFICATION.
- ⑦ TOLERANCE NON-CUMULATIVE.
- ⑧ MATERIAL: CONTACT: PHOSPHOR BRONZE.
SOLDER TABS: PHOSPHOR BRONZE.
HOUSING: GLASS REINFORCED POLYESTER (LCP), UL 94V-0, COLOR-NATURAL.
ACTUATOR: GLASS REINFORCED NYLON (PPA), UL 94V-0 OR GLASS REINFORCED PPS, UL 94V-0, COLOR-BLACK.

RECOMMENDED P.C. BOARD PAD PATTERN
COMPONENT SIDE



⑨ OBSOLETE PARTS: OBSOLETE CIS STREAMLINING PER D.RENAUD/D.SINISI

	F	E	D	C	B	A	POS	PART NO
⑨ OBSOLETE	.50	31.00 [1.221]	37.92 [1.492]	31.18 [1.228]	29.0 [1.142]	30	3-	487951-0
	-	30.00 [1.181]	36.92 [1.454]	30.18 [1.188]	28.0 [1.102]	29	2-	487951-0
⑨ OBSOLETE	.50	29.00 [1.142]	35.92 [1.414]	29.18 [1.149]	27.0 [1.063]	28	2-	487951-8
	-	28.00 [1.102]	34.92 [1.375]	28.18 [1.109]	26.0 [1.024]	27	2-	487951-7
⑨ OBSOLETE	.50	27.00 [1.063]	33.92 [1.335]	27.18 [1.070]	25.0 [.984]	26	2-	487951-6
	-	26.00 [1.024]	32.92 [1.296]	26.18 [1.031]	24.0 [.945]	25	2-	487951-5
⑨ OBSOLETE	.50	25.00 [.984]	31.92 [1.257]	25.18 [.991]	23.0 [.906]	24	2-	487951-4
	-	24.00 [.945]	30.92 [1.217]	24.18 [.952]	22.0 [.866]	23	2-	487951-3
⑨ OBSOLETE	.50	23.00 [.906]	29.92 [1.179]	23.18 [.913]	21.0 [.827]	22	2-	487951-2
	-	22.00 [.866]	28.92 [1.139]	22.18 [.873]	20.0 [.787]	21	2-	487951-1
⑨ OBSOLETE	.50	21.00 [.827]	27.92 [1.099]	21.18 [.834]	19.0 [.748]	20	2-	487951-0
	-	20.00 [.787]	26.92 [1.060]	20.18 [.794]	18.0 [.709]	19	1-	487951-0
⑨ OBSOLETE	.50	19.00 [.748]	25.92 [1.020]	19.18 [.755]	17.0 [.669]	18	1-	487951-8
	-	18.00 [.709]	24.92 [.981]	18.18 [.716]	16.0 [.630]	17	1-	487951-7
⑨ OBSOLETE	.50	17.00 [.669]	23.92 [.942]	17.18 [.676]	15.0 [.591]	16	1-	487951-6
	-	16.00 [.630]	22.92 [.902]	16.18 [.637]	14.0 [.551]	15	1-	487951-5
⑨ OBSOLETE	.50	15.00 [.591]	21.92 [.863]	15.18 [.598]	13.0 [.512]	14	1-	487951-4
	-	14.00 [.551]	20.92 [.824]	14.18 [.558]	12.0 [.472]	13	1-	487951-3
⑨ OBSOLETE	.50	13.00 [.512]	19.92 [.784]	13.18 [.519]	11.0 [.433]	12	1-	487951-2
	-	12.00 [.472]	18.92 [.745]	12.18 [.480]	10.0 [.394]	11	1-	487951-1
⑨ OBSOLETE	.50	11.00 [.433]	17.92 [.705]	11.18 [.440]	9.0 [.354]	10	1-	487951-0
	-	10.00 [.394]	16.92 [.666]	10.18 [.401]	8.0 [.315]	9		487951-9
⑨ OBSOLETE	.50	9.00 [.354]	15.92 [.627]	9.18 [.361]	7.0 [.276]	8		487951-8
	-	8.00 [.315]	14.92 [.587]	8.18 [.322]	6.0 [.236]	7		487951-7
⑨ OBSOLETE	.50	7.00 [.276]	13.92 [.548]	7.18 [.283]	5.0 [.197]	6		487951-6
	-	6.00 [.236]	12.92 [.509]	6.18 [.243]	4.0 [.157]	5		487951-5
⑨ OBSOLETE	.50	5.00 [.197]	11.92 [.469]	5.18 [.204]	3.0 [.118]	4		487951-4



RECOMMENDED FPC LAYOUT
SCALE 8:1

DO NOT SCALE PRINT. UNLESS SPECIFIED DIMENSIONS IN mm [INCHES] TOLERANCES ON: 1 PL DEC ± 0.2 [1.008] 2 PL DEC ± 0.1 [1.004] ANGLES ± -		DR 4-27-92 ED FICKES CHK 4-27-92 J CONSOLI APPD 5-4-92 R.KILE		TE Connectivity NAME 1 mm FPC CONNECTOR, HORIZONTAL, SURFACE-MOUNT, TOP CONTACT	
MATERIAL ⑧		APPD SF LEONG PRODUCT SPEC 108-1393			
FINISH CONTACTS: ④ SOLDER TABS: ⑤		APPLICATION SPEC 114-1072 WEIGHT -		SIZE A2 CAGE CODE 00779 SCALE 4:1	DRAWING NO 487951 REV J3 SHEET 1 OF 1

X-ON Electronics

Largest Supplier of Electrical and Electronic Components

Click to view similar products for [FFC & FPC Connectors](#) category:

Click to view products by [TE Connectivity](#) manufacturer:

Other Similar products are found below :

[HFW11R-1STE1H1LF](#) [FH29B-100S-0.2SHW\(99\)](#) [FA5S008HP1](#) [FH29B-120S-0.2SHW\(99\)](#) [FH29B-80S-0.2SHW\(99\)](#) [FHS-16](#) [FPH-2022G](#)
[52610-1075](#) [52610-1275](#) [52610-1934](#) [XF3M\(1\)-1415-1B-R100](#) [501864-3091-TR225](#) [0525594033](#) [086210010340800](#) [086222026001800](#)
[52271-2869-CUT-TAPE](#) [62674-201121DLF](#) [62684-36210E9ALF](#) [52610-1675](#) [52746-1671-TR250](#) [10051922-2810EHLF](#) [6-520415-9](#)
[BD021-09A-A1-0350-0200-0550-LD](#) [SFV6R-1STE9HLF](#) [XF3M-2915-1B-R100](#) [1658549-1](#) [62674-221121ALF](#) [46214008010800](#)
[046298003000883](#) [151660622](#) [842-816-2630-035](#) [AYF530665TA](#) [AYF351525](#) [046296011930846+](#) [AYF352325A](#) [046254020000800+](#)
[FH19C-13S-0.5SH\(99\)](#) [FH39J-51S-0.3SHW\(99\)](#) [AYF355125A](#) [AYF530365TA](#) [FH29B-44S-0.2SHW\(99\)](#) [SFW5R-2STAE9LF](#) [AYF351125A](#)
[AYF350725A](#) [62684-502100AHLF](#) [FH39-61S-0.3SHW\(99\)](#) [AYF414035A](#) [10064555-172520HLF](#) [AYF212335A](#) [504754-2500](#)