

THIS DRAWING IS UNPUBLISHED. RELEASED FOR PUBLICATION .MAY 1989
 © COPYRIGHT 1989 By - ALL RIGHTS RESERVED.

REVISIONS					
P	LTR	DESCRIPTION	DATE	DWN	APVD
D		REVISED PER ECO-17-004595	31JAN2018	AP	DG

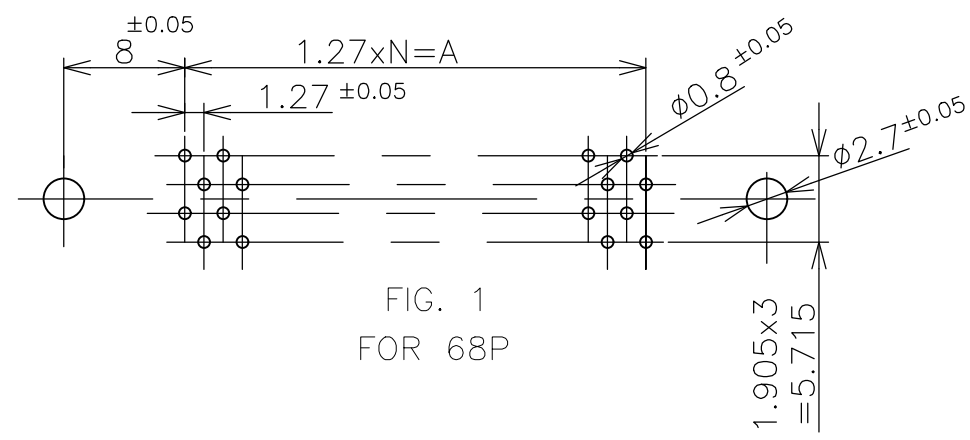
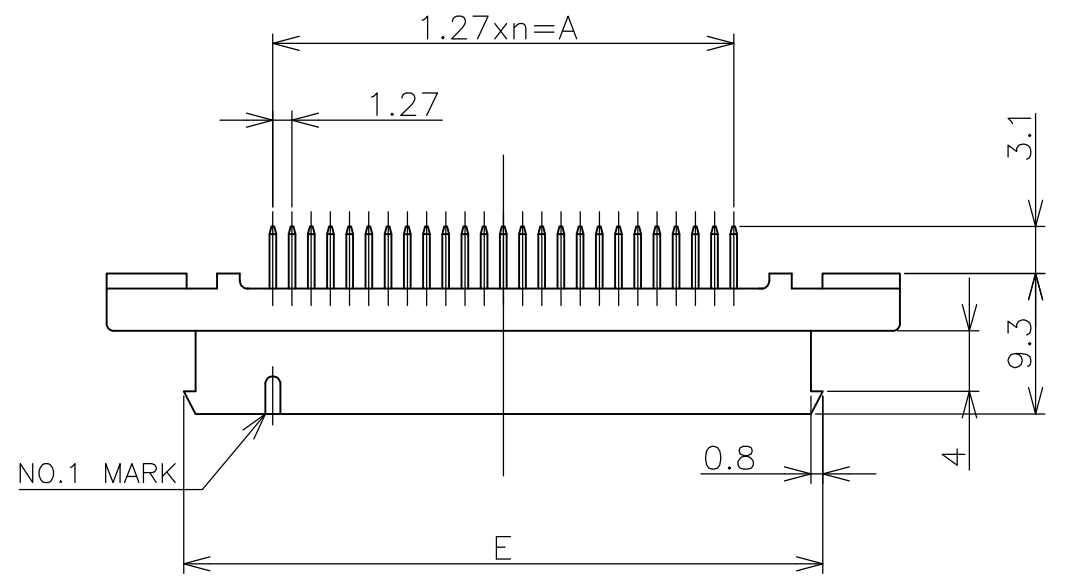


FIG. 1
FOR 68P

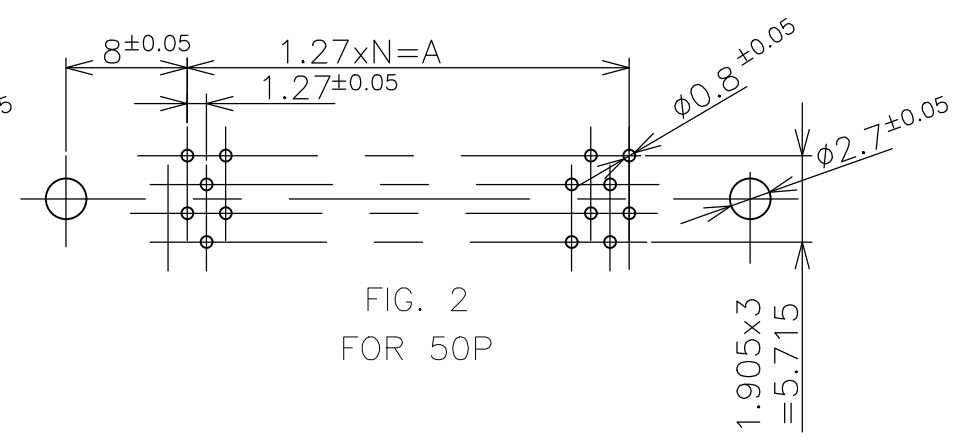
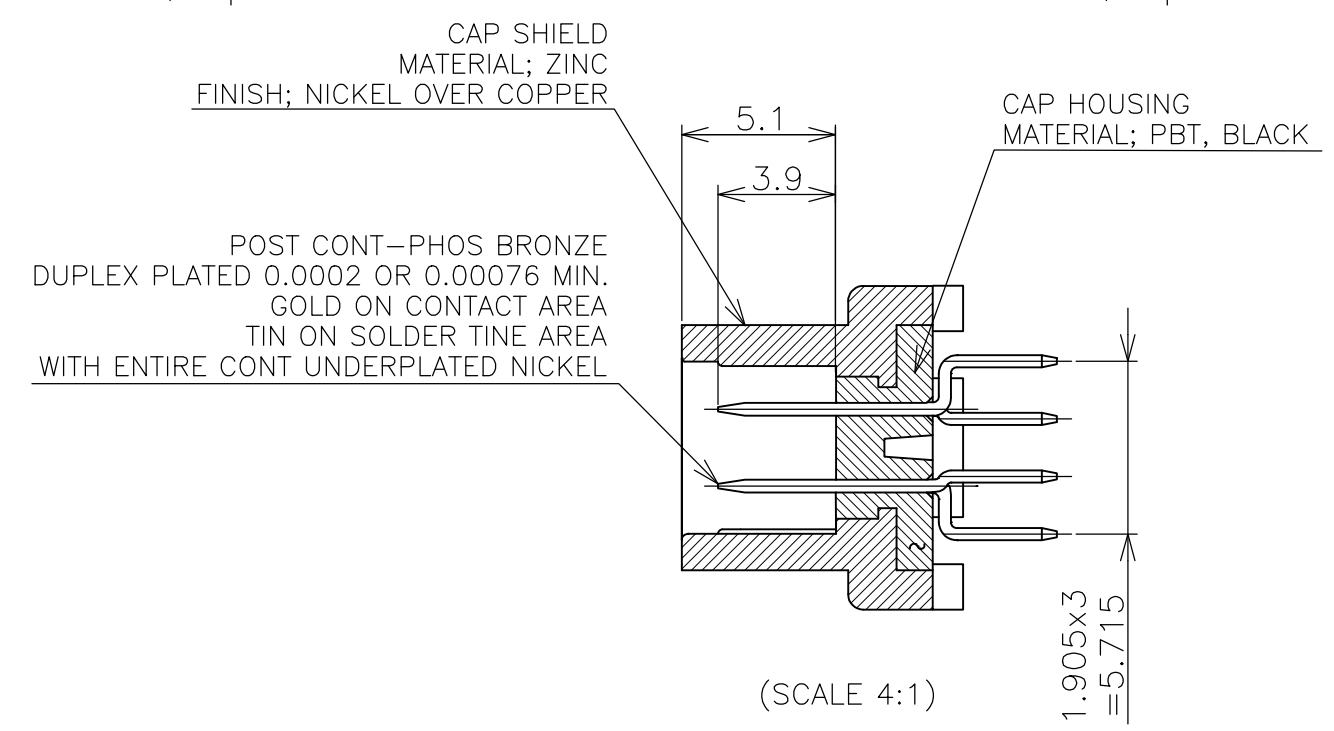
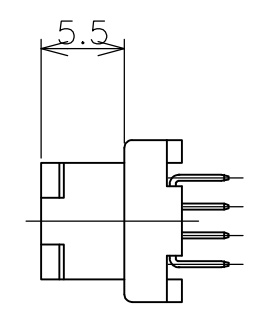
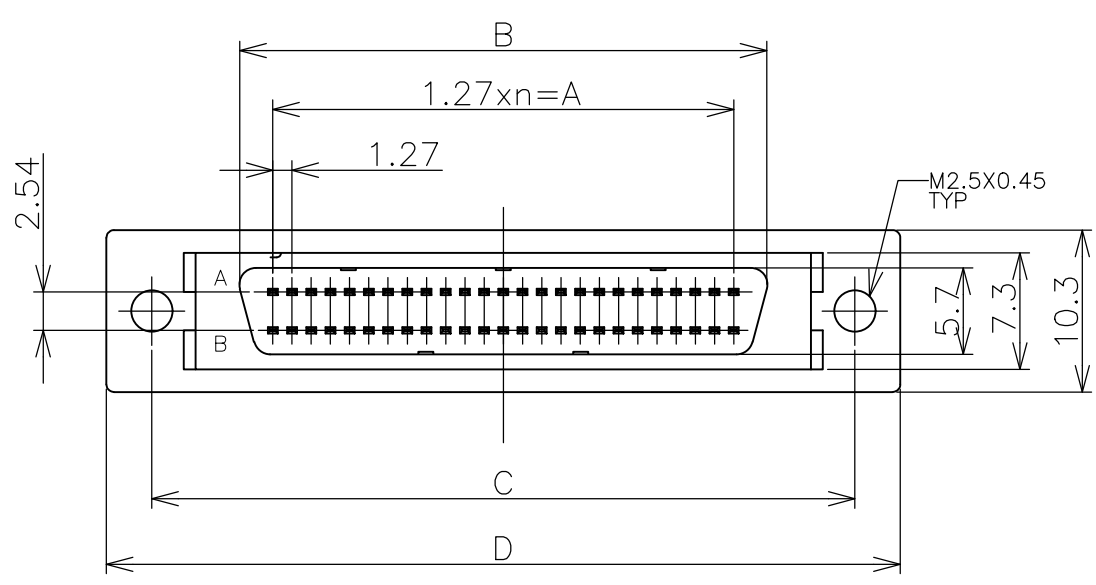
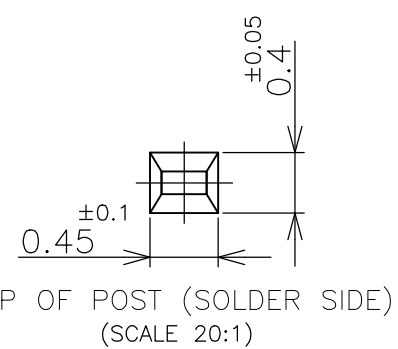


FIG. 2
FOR 50P



(SCALE 4:1)



- TOP OF POST (SOLDER SIDE)
(SCALE 20:1)
- P.C BOARD HOLE LAY-OUT AS SHOWN FIG.1 & 2.
 - USED SCREW; M2.5x0.45 PANHEAD SCREW.

GENERAL TOLERANCE 10 ≥ : ±0.2 30 ≥ > 10: ±0.25 100 ≥ > 30: ±0.3 ANGLES: ±3°	68	33	41.91	46.28	57.9	63.9	53.71	0.00076 MIN	2-5174339-5
	50	24	30.48	34.85	46.5	52.5	42.28		2-5174339-4
	68	33	41.91	46.28	57.9	63.9	53.71	0.0002 MIN	5174339-5
	50	24	30.48	34.85	46.5	52.5	42.28		5174339-4
	POS	N	A	B	C	D	E	GOLD THK	PART NO.
THIS DRAWING IS A CONTROLLED DOCUMENT.		DWN Roy hao 17Aug04		TE Connectivity CAP HEADER (VERTICAL/M2.5) AMPLIMITE .050 SERIES II CONN. TYPE B					
DIMENSIONS: mm		CHK Steven Yao 17Aug04							
TOLERANCES UNLESS OTHERWISE SPECIFIED:		APVD I.Enomoto 17Aug04		NAME					
0 PLC ± -		PRODUCT SPEC		108-1228					
1 PLC ± -		APPLICATION SPEC		SIZE					
2 PLC ± -		WEIGHT		A300779					
3 PLC ± -		CUSTOMER DRAWING		CAGE CODE					
4 PLC ± -		SCALE		1:1					
ANGLES ± -		SHEET		1 OF 1					
FINISH ± -		REV		D					
SEE ABOVE		DRAWING NO		G-5174339					
SEE ABOVE		RESTRICTED TO							

X-ON Electronics

Largest Supplier of Electrical and Electronic Components

Click to view similar products for [D-Sub Standard Connectors](#) category:

Click to view products by [TE Connectivity](#) manufacturer:

Other Similar products are found below :

[DCM37S732N](#) [DAM15P500](#) [DEV09S364GTLF](#) [DEM09P032N](#) [DDM50P732N](#) [DAM15S332N](#) [173109-2218](#) [173109-2466](#) [173109-2436](#)
[173109-2435](#) [56F706-005-LI](#) [56F711-015](#) [015-0341-000](#) [015-0372-008](#) [015-8544-011](#) [017041-0005](#) [020419-0104](#) [012-0515-000](#) [012-9507-](#)
[034](#) [012-9507-114](#) [012-9534-001](#) [020745-0008](#) [609-25P](#) [M24308/2-23Z](#) [M243082310F](#) [M243082410F](#) [M243082411F](#) [M24308/4-21](#)
[CT1A18-11PSA206](#) [CT1N36-5SC](#) [CT2-16S-17PS](#) [CT2-20-15PCAU](#) [CT2-24-12PS](#) [CT2-24-28PSF127A206](#) [CT2-32-9PC](#) [CT6F9767-14-4-](#)
[14S-5PC](#) [CT6FA10SL-4PS](#) [CT7-18-10SC](#) [CT7-18-10SCAU](#) [CT7-18-12SCAU](#) [CT7-18-1PC](#) [CT7-18-1PCAU](#) [CT7-18-21SCAU](#) [M83513/01-](#)
[FC](#) [M83723/76W24619 L/C](#) [M85049/48-3-2F](#) [69001-865](#) [6STD09PCM99B70X](#) [6STD09SCM99B30X](#) [6STD09SCT99S40X](#)