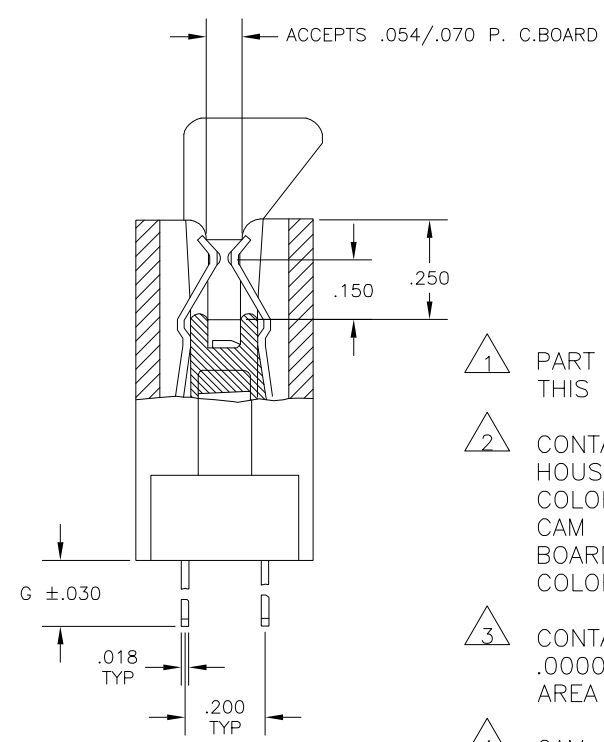
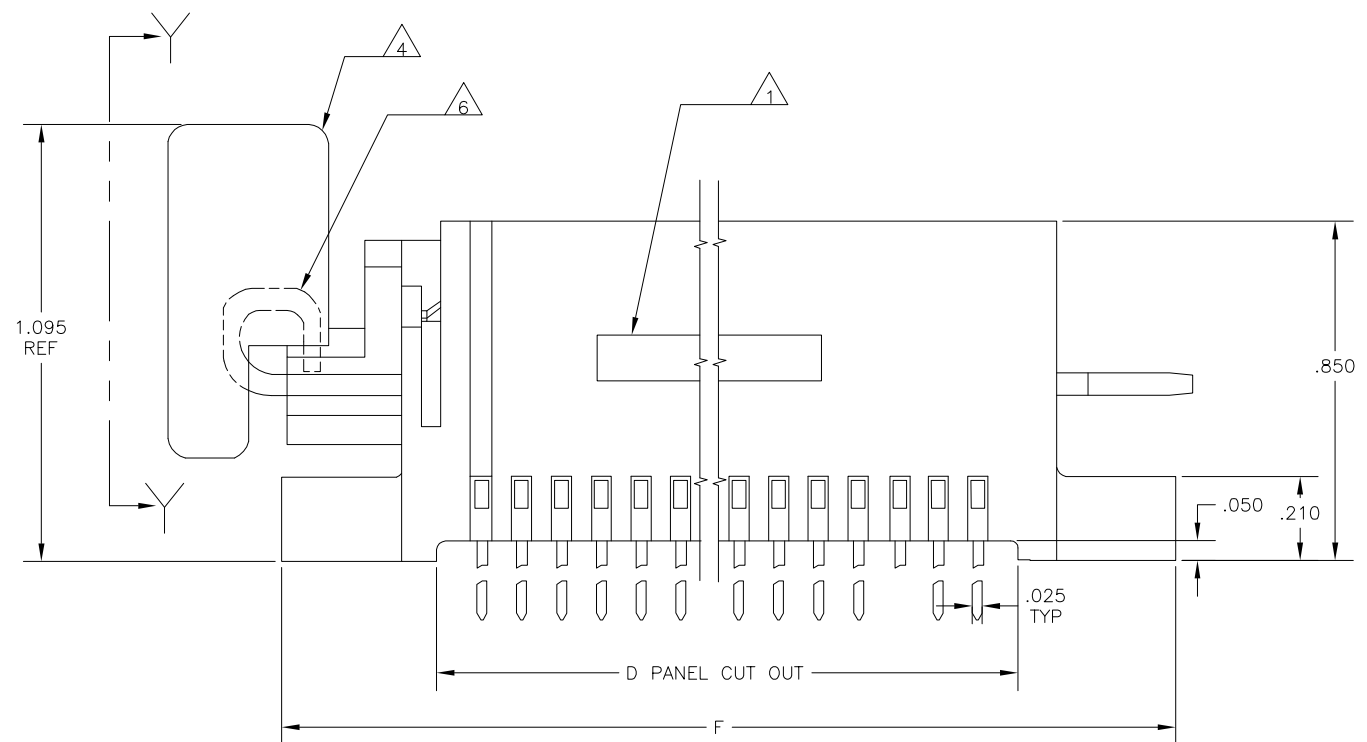
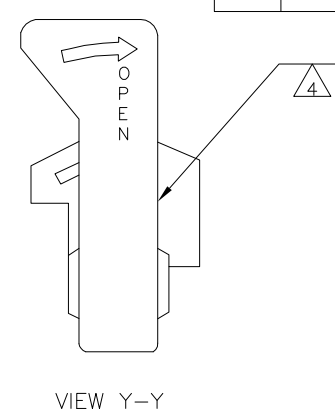
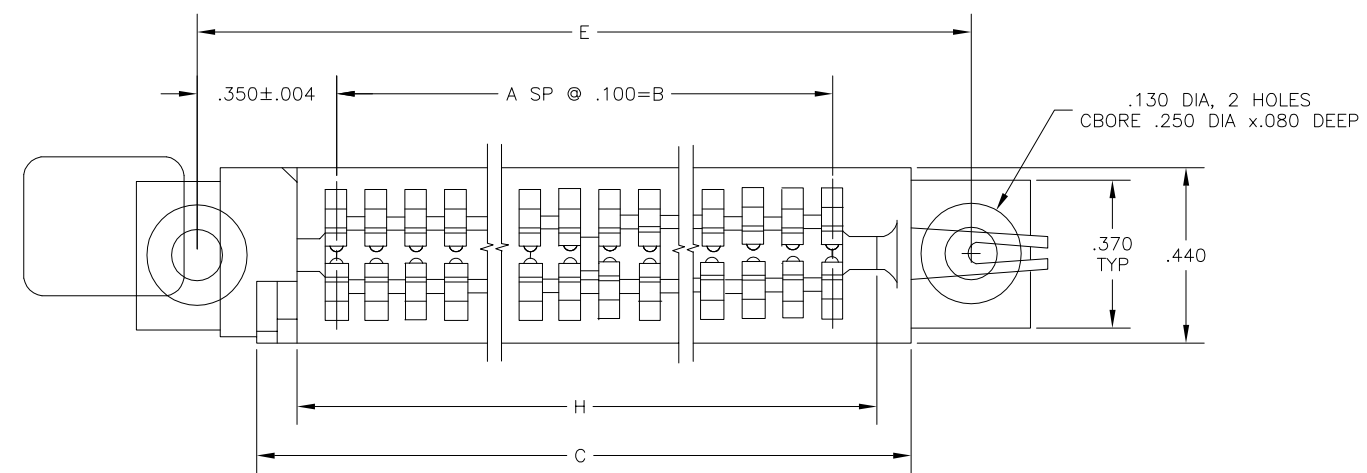
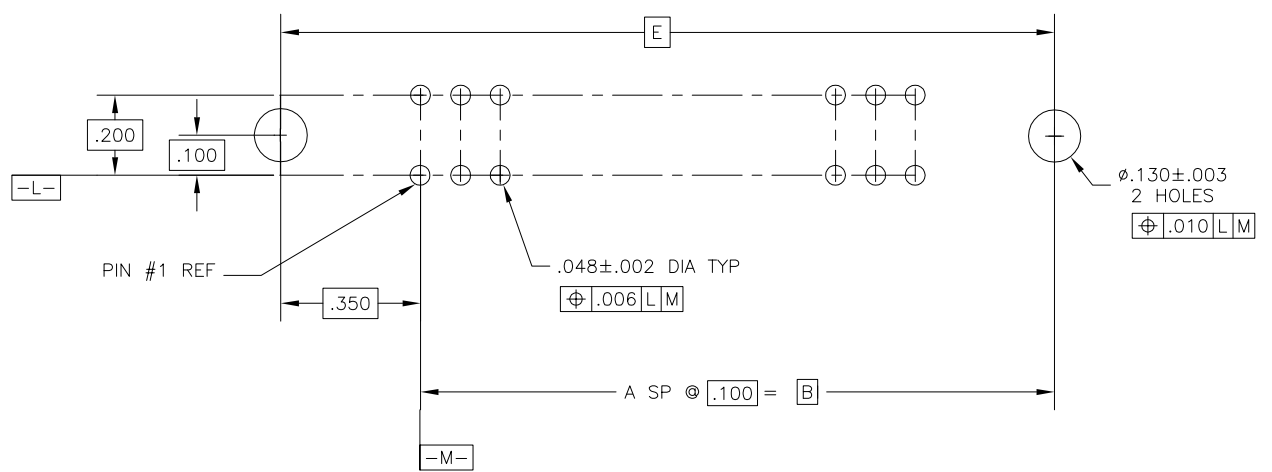


LOC		DIST		REVISIONS			
P	LTR	DESCRIPTION	DATE	DWN	APVD		
AD	00						
	AH	REVISED PER ECO-15-015739	03NOV2015	DS	FY		



- 1 PART NUMBER AND DATE CODE STAMPED IN THIS AREA ON EITHER SIDE.
- 2 CONTACT: COPPER ALLOY  
HOUSING: GLASS FILLED POLYESTER 94 VO, COLOR-BLACK  
CAM ROD: STAINLESS STEEL  
BOARD LOCK: GLASS FILLED POLYESTER 94 VO, COLOR-YELLOW
- 3 CONTACT: .000050 MIN NICKEL ALL OVER, .000030 GOLD SELECTIVE PLATED IN CONTACT AREA TIN PLATED POST
- 4 CAM ROD AND BOARD LOCK SHIPPED WITH EACH CONNECTOR. ROTATE IN DIRECTION OF ARROW TO OPEN.
- 5 ASSEMBLY DOES NOT INCLUDE CAM ROD OR BOARD LOCK.
- 6 NUT DRIVER STYLE CAM ROD USED WITH PART NUMBER 3-531020-4 ONLY.
- 7 CONTACT: .000050 MIN NICKEL ALL OVER, .000030 GOLD SELECTIVE PLATED IN CONTACT AREA, MATTE TIN PLATED POST
- 8 OBSOLETE PARTS: OBSOLETE CIS STREAMLINING PER D.RENAUD/D.SINISI



RECOMENDED P.C. BOARD LAYOUT

THIS DRAWING IS A CONTROLLED DOCUMENT.		DWN	L.WAREHAM	5-88	<b>STE</b> TE Connectivity
		CHK	D.GORENC	5-88	
DIMENSIONS: INCHES		APVD	D.GORENC	5-88	NAME ROTARY ZIF CONNECTOR .100 x.200, SOLDER POST OPEN ONE END
TOLERANCES UNLESS OTHERWISE SPECIFIED:		PRODUCT SPEC		APPLICATION SPEC	
0 PLC ± -		SIZE		A2	CAGE CODE 00779
1 PLC ± -		DRAWING NO		C-531020	
2 PLC ± -		RESTRICTED TO			
3 PLC ± .010		CUSTOMER DRAWING		SCALE	3:1
4 PLC ± -		WEIGHT		SHEET	1 OF 2
ANGLES ± -		MATERIAL		REV	AH
FINISH					

531020

B

A

THIS DRAWING IS UNPUBLISHED. RELEASED FOR PUBLICATION  
 © COPYRIGHT - By - ALL RIGHTS RESERVED.

LOC	DIST	REVISIONS					
AD	00	P	LTR	DESCRIPTION	DATE	DWN	APVD
		-		SEE SHEET 1	-	-	-

7	4.400	.125	5.200	4.900	4.400	4.600	4.200	42	43/86	8-531020-3	OBSOLETE	8
7	3.700	.125	4.500	4.200	3.700	3.900	3.500	35	36/72	8-531020-2	OBSOLETE	8
7	6.600	0.160	7.400	7.100	6.600	6.800	6.400	64	65/160	8-531020-0	OBSOLETE	8
7	5.100	0.160	5.900	5.600	5.100	5.300	4.900	49	50/100	7-531020-9	OBSOLETE	8
7	4.400	0.160	5.200	4.900	4.400	4.600	4.200	42	43/86	7-531020-8	OBSOLETE	8
7	2.900	0.160	3.700	3.400	2.900	3.100	2.700	27	28/56	7-531020-7	OBSOLETE	8
7	3.200	0.160	4.000	3.700	3.200	3.400	3.000	30	31/62	7-531020-1	OBSOLETE	8
7	6.600	0.160	7.400	7.100	6.600	6.800	6.400	64	65/130	7-531020-0	OBSOLETE	8
7	6.100	0.160	6.900	6.600	6.100	6.300	5.900	59	60/120	6-531020-9	OBSOLETE	8
7	5.100	0.160	5.900	5.600	5.100	5.300	4.900	49	50/100	6-531020-8	OBSOLETE	8
7	4.400	0.160	5.200	4.900	4.400	4.600	4.200	42	43/86	6-531020-7	OBSOLETE	8
7	4.100	0.160	4.900	4.600	4.100	4.300	3.900	39	40/80	6-531020-5	OBSOLETE	8
7	3.700	0.160	4.500	4.200	3.700	3.900	3.500	35	36/72	6-531020-4	OBSOLETE	8
7	2.900	0.160	3.700	3.400	2.900	3.100	2.700	27	28/56	6-531020-3	OBSOLETE	8
7	2.600	0.160	3.400	3.100	2.600	2.800	2.400	24	25/50	6-531020-2	OBSOLETE	8
7	2.300	0.160	3.100	2.800	2.300	2.500	2.100	21	22/44	6-531020-1	OBSOLETE	8
7	6.600	.125	7.400	7.100	6.600	6.800	6.400	64	65/130	6-531020-0	OBSOLETE	8
7	5.100	.125	5.900	5.600	5.100	5.300	4.900	49	50/100	5-531020-8	OBSOLETE	8
7	4.100	.125	4.900	4.600	4.100	4.300	3.900	39	40/80	5-531020-5	OBSOLETE	8
7	2.600	.125	3.400	3.100	2.600	2.800	2.400	24	25/50	5-531020-2	OBSOLETE	8
7	2.300	.125	3.100	2.800	2.300	2.500	2.100	21	22/44	5-531020-1	OBSOLETE	8
	H	G	F	E	D	C	B	A	POSN	PART NUMBER		

6	OBSOLETE	4.100	.125	4.900	4.600	4.100	4.300	3.900	39	40/80	3-531020-4	
5		4.400	.125	5.200	4.900	4.400	4.600	4.200	42	43/86	3-531020-3	
8	OBSOLETE	3.700	.125	4.500	4.200	3.700	3.900	3.500	35	36/72	3-531020-2	
5	OBSOLETE	5.100	.125	5.900	5.600	5.100	5.300	4.900	49	50/100	3-531020-1	
5		6.600	0.160	7.400	7.100	6.600	6.800	6.400	64	65/160	3-531020-0	
		5.100	0.160	5.900	5.600	5.100	5.300	4.900	49	50/100	2-531020-9	
5		4.400	0.160	5.200	4.900	4.400	4.600	4.200	42	43/86	2-531020-8	
5	OBSOLETE	2.900	0.160	3.700	3.400	2.900	3.100	2.700	27	28/56	2-531020-7	
	OBSOLETE	3.200	0.160	4.000	3.700	3.200	3.400	3.000	30	31/62	2-531020-1	
	OBSOLETE	6.600	0.160	7.400	7.100	6.600	6.800	6.400	64	65/130	2-531020-0	
8	OBSOLETE	6.100	0.160	6.900	6.600	6.100	6.300	5.900	59	60/120	1-531020-9	
	OBSOLETE	5.100	0.160	5.900	5.600	5.100	5.300	4.900	49	50/100	1-531020-8	
8	OBSOLETE	4.400	0.160	5.200	4.900	4.400	4.600	4.200	42	43/86	1-531020-7	
	OBSOLETE	4.300	0.160	5.100	4.800	4.300	4.500	4.100	41	42/84	1-531020-6	
	OBSOLETE	4.100	0.160	4.900	4.600	4.100	4.300	3.900	39	40/80	1-531020-5	
	OBSOLETE	3.700	0.160	4.500	4.200	3.700	3.900	3.500	35	36/72	1-531020-4	
8	OBSOLETE	2.900	0.160	3.700	3.400	2.900	3.100	2.700	27	28/56	1-531020-3	
8	OBSOLETE	2.600	0.160	3.400	3.100	2.600	2.800	2.400	24	25/50	1-531020-2	
8	OBSOLETE	2.300	0.160	3.100	2.800	2.300	2.500	2.100	21	22/44	1-531020-1	
8	OBSOLETE	6.600	.125	7.400	7.100	6.600	6.800	6.400	64	65/130	1-531020-0	
	OBSOLETE	6.100	.125	6.900	6.600	6.100	6.300	5.900	59	60/120	531020-9	
	OBSOLETE	5.100	.125	5.900	5.600	5.100	5.300	4.900	49	50/100	531020-8	
	OBSOLETE	4.400	.125	5.200	4.900	4.400	4.600	4.200	42	43/86	531020-7	
	OBSOLETE	4.300	.125	5.100	4.800	4.300	4.500	4.100	41	42/84	531020-6	
8	OBSOLETE	4.100	.125	4.900	4.600	4.100	4.300	3.900	39	40/80	531020-5	
	OBSOLETE	3.700	.125	4.500	4.200	3.700	3.900	3.500	35	36/72	531020-4	
	OBSOLETE	2.900	.125	3.700	3.400	2.900	3.100	2.700	27	28/56	531020-3	
8	OBSOLETE	2.600	.125	3.400	3.100	2.600	2.800	2.400	24	25/50	531020-2	
8	OBSOLETE	2.300	.125	3.100	2.800	2.300	2.500	2.100	21	22/44	531020-1	
	H	G	F	E	D	C	B	A	POSN	PART NUMBER		

THIS DRAWING IS A CONTROLLED DOCUMENT.

DWN	L. WAREHAM	5-88
CHK	D. GORENC	5-88
APVD	D. GORENC	5-88
PRODUCT SPEC		
APPLICATION SPEC		
WEIGHT	-	

**STE** TE Connectivity

ROTARY ZIF CONNECTOR .100 x.200, SOLDER POST OPEN ONE END

SIZE	A2	CAGE CODE	00779	DRAWING NO	C-531020	RESTRICTED TO	-
CUSTOMER DRAWING		SCALE	1:1	SHEET	2 OF 2	REV	AH

## X-ON Electronics

Largest Supplier of Electrical and Electronic Components

*Click to view similar products for [FFC & FPC Connectors](#) category:*

*Click to view products by [TE Connectivity](#) manufacturer:*

Other Similar products are found below :

[HFW11R-1STE1H1LF](#) [FH29B-100S-0.2SHW\(99\)](#) [FA5S008HP1](#) [FH29B-120S-0.2SHW\(99\)](#) [FH29B-80S-0.2SHW\(99\)](#) [FHS-16](#) [FPH-2022G](#)  
[52610-1075](#) [52610-1275](#) [52610-1934](#) [XF3M\(1\)-1415-1B-R100](#) [501864-3091-TR225](#) [0525594033](#) [086210010340800](#) [086222026001800](#)  
[52271-2869-CUT-TAPE](#) [62674-201121DLF](#) [62684-36210E9ALF](#) [52610-1675](#) [52746-1671-TR250](#) [10051922-2810EHLF](#) [6-520415-9](#)  
[BD021-09A-A1-0350-0200-0550-LD](#) [SFV6R-1STE9HLF](#) [XF3M-2915-1B-R100](#) [1658549-1](#) [62674-221121ALF](#) [46214008010800](#)  
[046298003000883](#) [151660622](#) [842-816-2630-035](#) [AYF530665TA](#) [AYF351525](#) [046296011930846+](#) [AYF352325A](#) [046254020000800+](#)  
[FH19C-13S-0.5SH\(99\)](#) [FH39J-51S-0.3SHW\(99\)](#) [AYF355125A](#) [AYF530365TA](#) [FH29B-44S-0.2SHW\(99\)](#) [SFW5R-2STAE9LF](#) [AYF351125A](#)  
[AYF350725A](#) [62684-502100AHLF](#) [FH39-61S-0.3SHW\(99\)](#) [AYF414035A](#) [10064555-172520HLF](#) [AYF212335A](#) [504754-2500](#)