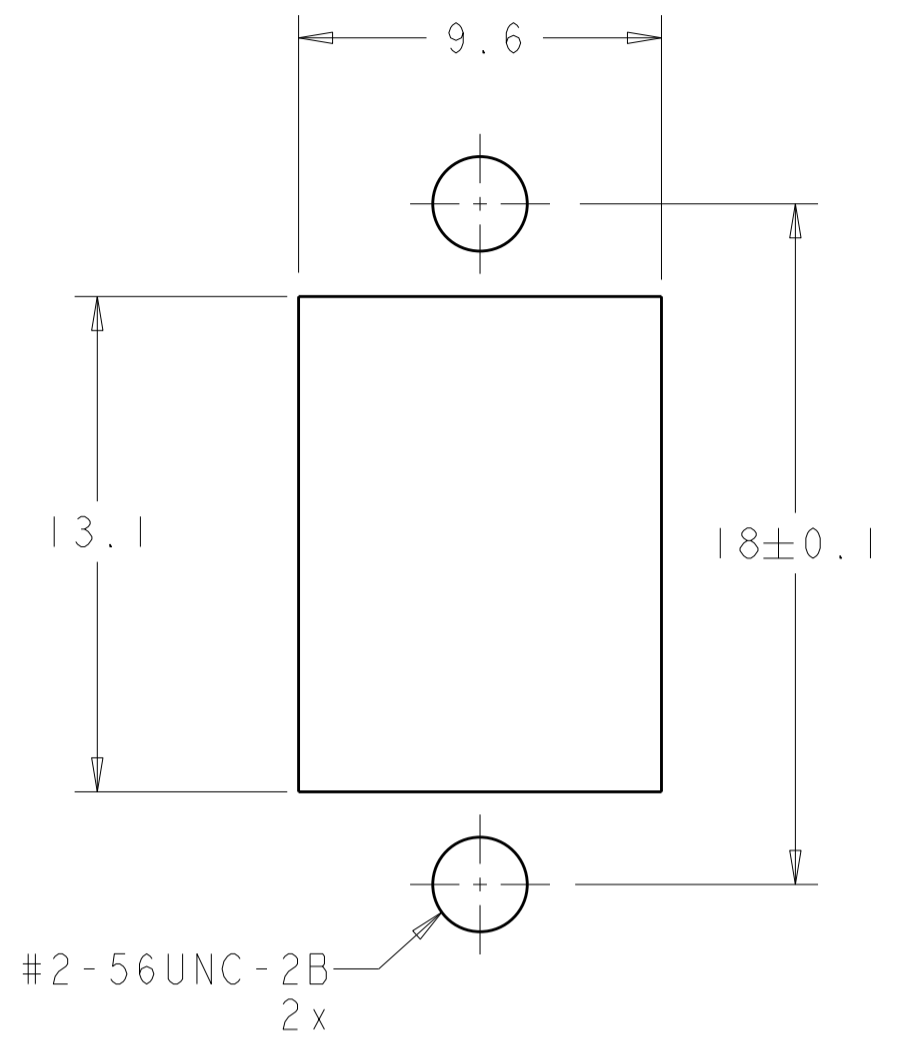
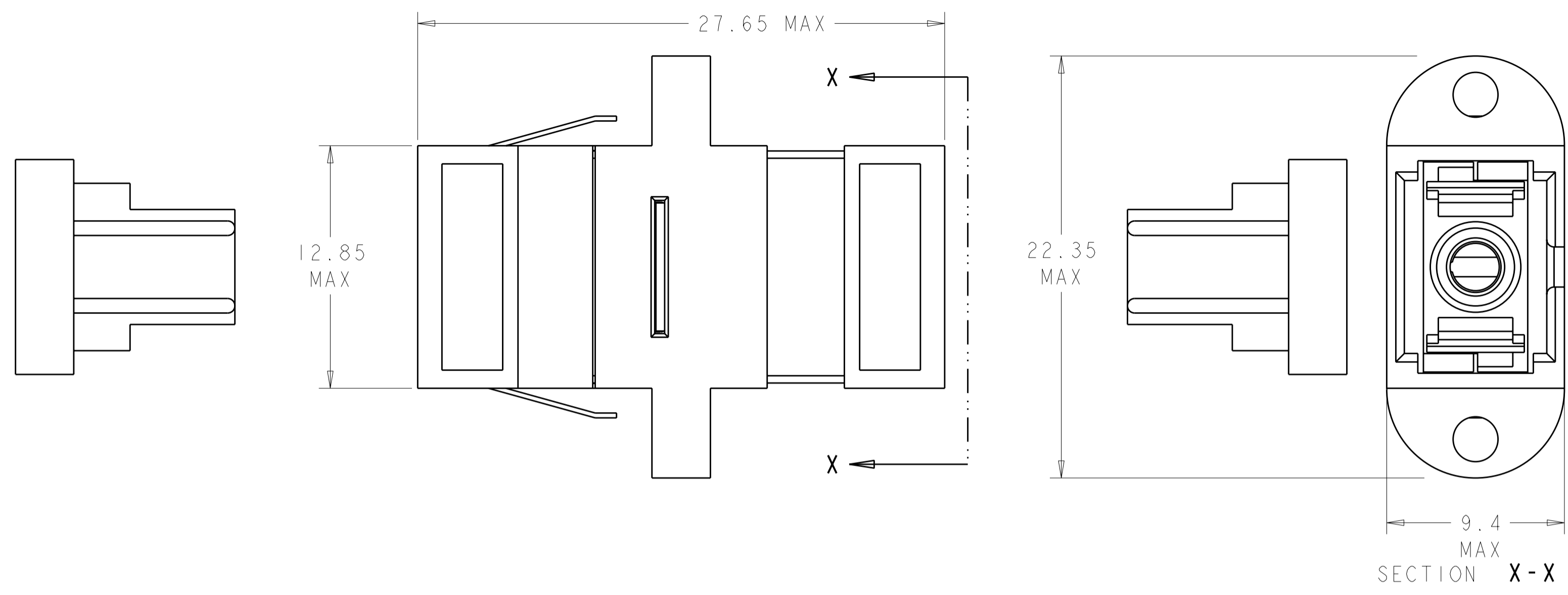


THIS DRAWING IS UNPUBLISHED. RELEASED FOR PUBLICATION
 © COPYRIGHT 2011 ALL RIGHTS RESERVED.

REVISIONS					
P	LTR	DESCRIPTION	DATE	DWN	APVD
F2		REVISED PER ECO-11-005140	16APR2011	RK	HMR

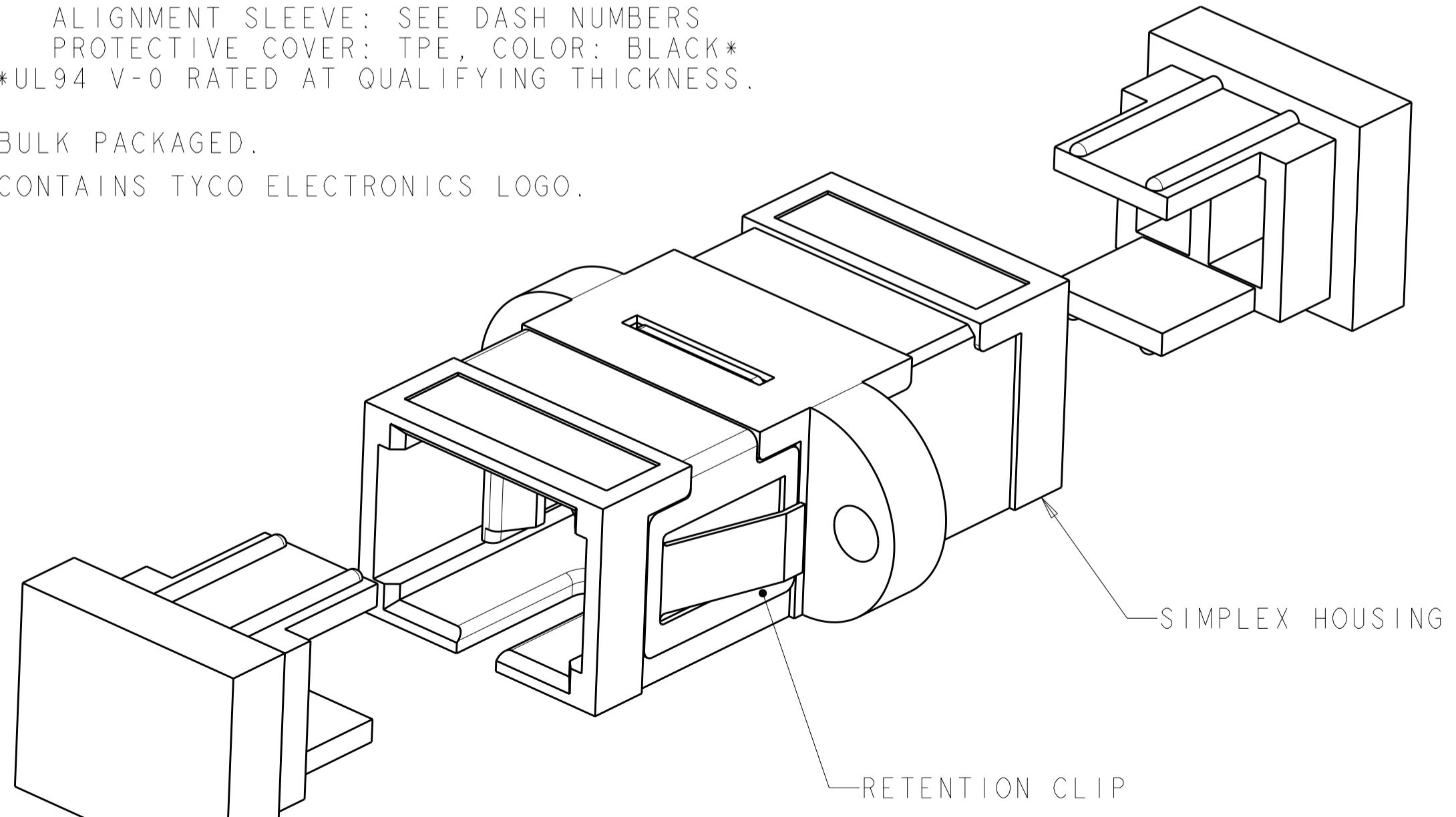


SUGGESTED PANEL CUTOUT
 MAX. PANEL THICKNESS 1.7

MATERIAL:
 HOUSING: PBT-GF30, SEE DASH NUMBERS FOR COLOR*
 RETAINER: PEI-GF30, COLOR: BLACK*
 RETENTION CLIP: STAINLESS STEEL
 ALIGNMENT SLEEVE: SEE DASH NUMBERS
 PROTECTIVE COVER: TPE, COLOR: BLACK*
 *UL94 V-0 RATED AT QUALIFYING THICKNESS.

2 BULK PACKAGED.
3 CONTAINS TYCO ELECTRONICS LOGO.

2	CERAMIC	GREEN	2-5502632-6
3	CERAMIC	BLUE	2-5502632-5
	CERAMIC	AQUA	2-5502632-4
	METAL	AQUA	2-5022632-3
	CERAMIC	GREEN	2-5502632-2
	METAL	GREEN	2-5502632-1
2	CERAMIC	BLUE	1-5502632-8
	CERAMIC	BEIGE	1-5502632-2
	CERAMIC	BLUE	1-5502632-1
	CERAMIC	BLACK	1-5502632-0
	METAL	BEIGE	5502632-9
	METAL	BLUE	5502632-8
	METAL	BLACK	5502632-7
	ALIGNMENT SLEEVE	COLOR	PART NUMBER



THIS DRAWING IS A CONTROLLED DOCUMENT.		DWN B. BRIGGS 3MAY2005	TE Connectivity	
DIMENSIONS: mm		CHK S. MILLER 3MAY2005		
TOLERANCES UNLESS OTHERWISE SPECIFIED:		APVD S. BUCHTER 3MAY2005	NAME RECEPTACLE ASSEMBLY, SC TO SC	
0 PLC ± 1 PLC ±0.1 2 PLC ±0.05 3 PLC ± 4 PLC ±		PRODUCT SPEC -	SIZE A2	
ANGLES ± FINISH		APPLICATION SPEC -	CAGE CODE -	DRAWING NO 5502632
MATERIAL		WEIGHT -	SCALE 5:1	SHEET 1 OF 1
CUSTOMER DRAWING		REV F2		

X-ON Electronics

Largest Supplier of Electrical and Electronic Components

Click to view similar products for [Fiber Optic Connectors](#) category:

Click to view products by [TE Connectivity](#) manufacturer:

Other Similar products are found below :

[0004700001](#) [6100-R](#) [6313](#) [F709034706](#) [F709722200](#) [F709730000](#) [F718183204](#) [F727403500](#) [F727752800](#) [FCXO-12-3BY](#) [FO-SCREW\(M2X6\)](#) [9440F20-27S-190](#) [944-120-6001](#) [944-125-6003](#) [9441F10SL-3P](#) [953-101-5310-P](#) [954-101-57202B](#) [A0270169](#) [12-9122](#) [12-5702](#) [143025NC](#) [DSAKB](#) [AX101713](#) [AX102420](#) [AX103923](#) [AX104193](#) [AX104230](#) [AX104562](#) [AX104683](#) [AX105203-B25](#) [AX105205-S1](#) [EHSC2M](#) [17-300800](#) [180-044NF06-11-2S](#) [180-044NF06-17-8P](#) [180-044NF07-11-2S](#) [181-011-126](#) [181-011-S](#) [181-057-126](#) [BT34IW](#) [HRFCP-HSCJ-1\(61\)](#) [HRFC-R2\(40\)](#) [NKSOPBUY](#) [20500002116](#) [2064996-1](#) [20800001065](#) [2170](#) [9132](#) [2612](#) [2620](#)