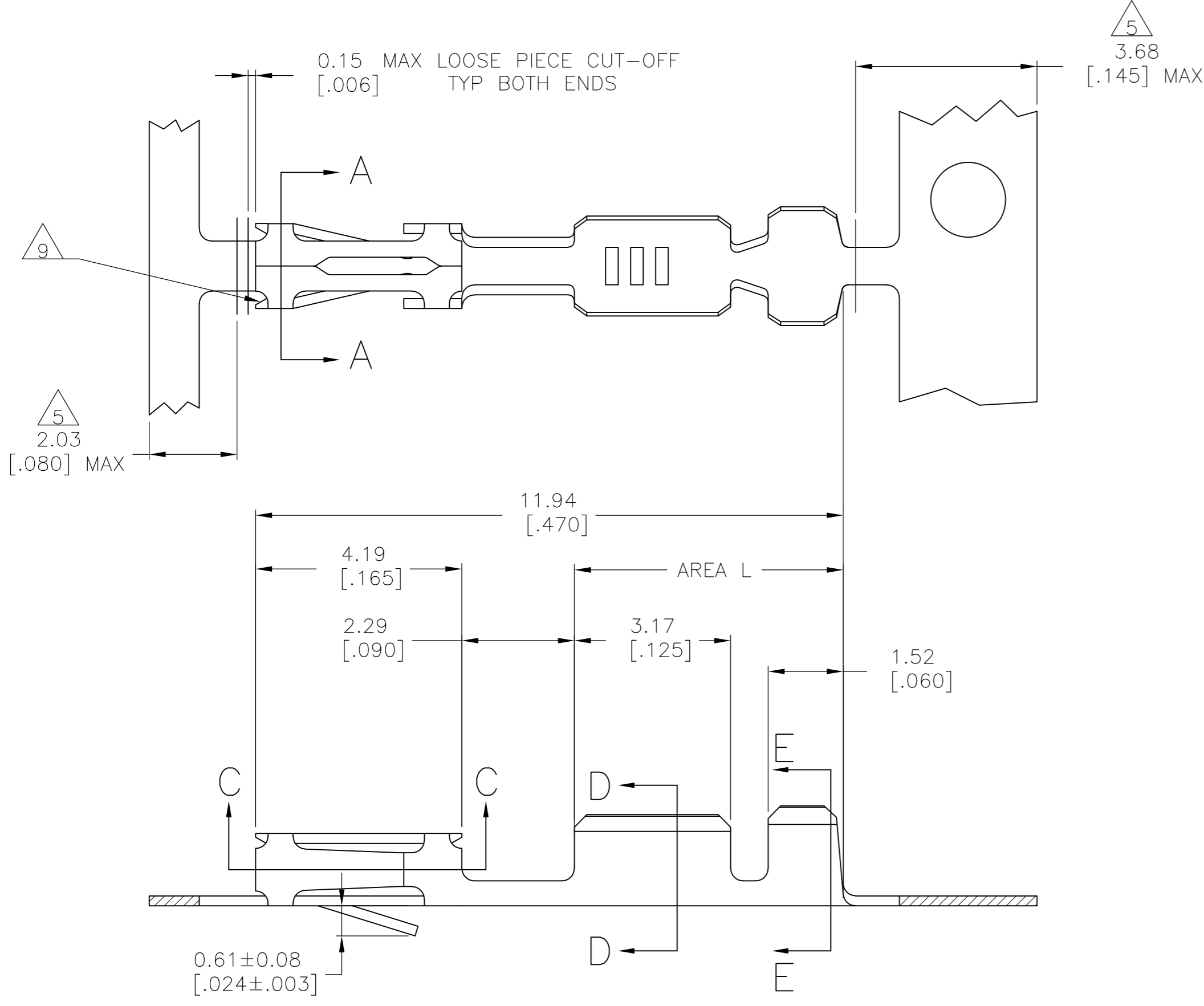
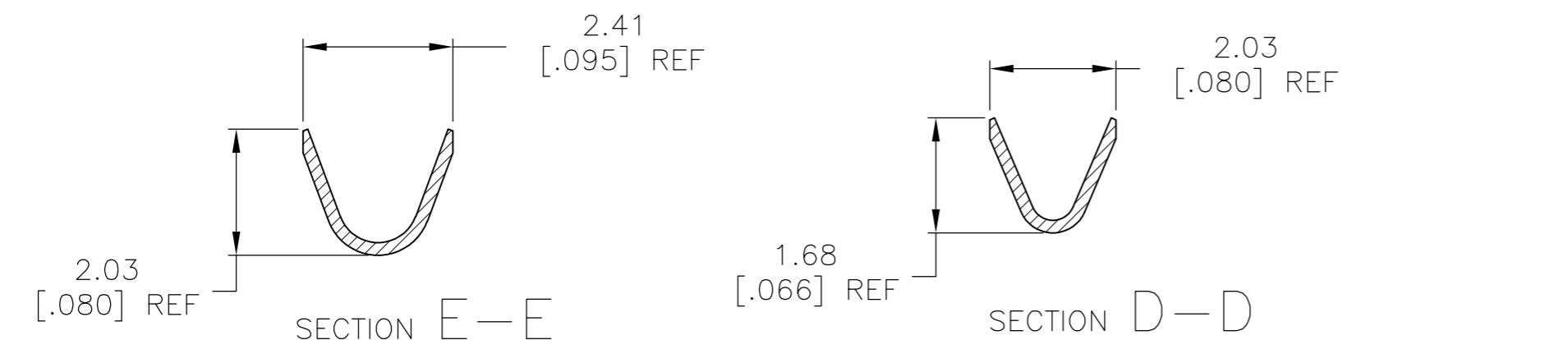
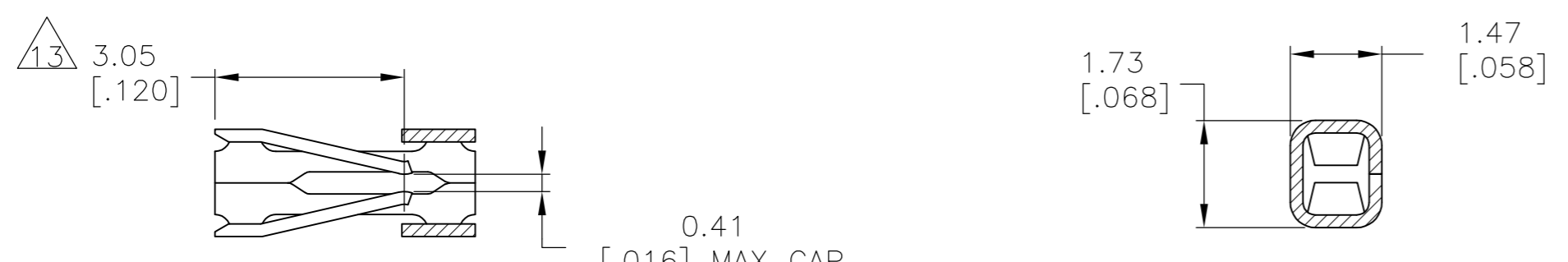


THIS DRAWING IS UNPUBLISHED. RELEASED FOR PUBLICATION
 © COPYRIGHT - By - ALL RIGHTS RESERVED.

| LOC | DIST | REVISIONS | | | |
|-----|------|-------------|---------------------------|---------|--------|
| P | LTR | DESCRIPTION | DATE | DWN | APVD |
| AD | 00 | U2 | REVISED PER ECO-11-004587 | 11MAR11 | RK HMR |



- 1 GOLD FLASH OVER 0.00127[.000050] NICKEL,.000762[.000030] GOLD ON CONTACT AREA.
- 2 GOLD FLASH OVER 0.00127[.000050] NICKEL,.000381[.000015] GOLD ON CONTACT AREA.
- 3 PREPLATED .00127-.00381 (.000050-.000150) BRIGHT TIN.
- 4 REELED FOR MINI APPLICATOR.
- 5 GOLD PLATING NOT REQUIRED - THIS AREA.
- 6 REELED FOR STANDARD APPLICATOR
- 7 0.000127[.000050] NICKEL OVER ENTIRE CONTACT, 0.000381[.000015] GOLD IN CONTACT AREA.
- 8 SHEARED EDGES ARE PERMITTED TO BE UNPLATED.
- 9 CUT OUTS ON BOX AT MANUFACTURER'S OPTION.
- 10 0.000381[.000015] GOLD IN CONTACT AREA. 0.00254-0.00508[.000100-.000200] BRIGHT TIN-LEAD IN AREA L, ALL OVER 0.000127[.000050] NICKEL.
- 11 0.000762[.000030] GOLD IN CONTACT AREA. 0.00254-0.00508[.000100-.000200] BRIGHT TIN-LEAD IN AREA L, ALL OVER 0.000127[.000050] NICKEL.
- 12 OBSOLETE PART NUMBER.
- 13 POINT OF MEASUREMENT FOR PLATING THICKNESS(INSIDE BEAMS).
- 14 0.000127[.000050] NICKEL OVER ENTIRE CONTACT, 0.000762[.000030] GOLD IN CONTACT AREA.
- 15 .000015 GOLD IN CONTACT AREA. .000100-.000200 BRIGHT TIN IN AREA L, ALL OVER .000050 NICKEL.
- 16 0.000762[.000030] GOLD IN CONTACT AREA. 0.00254-0.00508[.000100-.000200] MATTE TIN IN AREA L, ALL OVER 0.000127[.000050] NICKEL.



WIRE SIZE #20-#24

| DESCRIPTION | FINISH | PART NUMBER |
|-------------|--------|-------------|
| LOOSE PIECE | 8/16 | 6-87523-9 |
| REELED | 8/16 | 6-87523-8 |
| LOOSE PIECE | 5/15 | 2-87523-4 |
| REELED | 8/15 | 2-87523-3 |
| REELED | 8/7 | 2-87523-2 |
| REELED | 8/4 | 2-87523-1 |
| LOOSE PIECE | 8/11 | 1-87523-9 |
| REELED | 8/11 | 1-87523-8 |
| LOOSE PIECE | 8/10 | 1-87523-6 |
| REELED | 8/10 | 1-87523-5 |
| LOOSE PIECE | 7/8 | 1-87523-4 |
| REELED | 7/8 | 1-87523-3 |
| REELED | 3 | 1-87523-0 |
| REELED | 2/5 | 87523-9 |
| REELED | 1/5 | 87523-8 |
| LOOSE PIECE | 2/5 | 87523-7 |
| LOOSE PIECE | 3 | 87523-6 |
| REELED | 3 | 87523-5 |
| REELED | 2/5 | 87523-4 |
| LOOSE PIECE | 1/5 | 87523-3 |
| REELED | 1/5 | 87523-2 |
| DESCRIPTION | FINISH | PART NUMBER |

17 OBSOLETE PARTS: OBSOLETE CIS STREAMLININGPERD.RENAUD/D.SINISI

| | | | | |
|--|------------------|------------------------|---|-----------------|
| THIS DRAWING IS A CONTROLLED DOCUMENT. | | DWN E.BRANDBERG 5-5-94 | TE Connectivity | |
| DIMENSIONS: mm [INCHES] | | CHK B. STAUCH 5-5-94 | | |
| TOLERANCES UNLESS OTHERWISE SPECIFIED: | | APVD B.STAUCH 5-5-94 | NAME CONTACT, MOD IV CRIMP SNAP-IN RECEPTACLE | |
| 0 PLC ± - | 1 PLC ± - | PRODUCT SPEC | SIZE A2 | CAGE CODE 00779 |
| 2 PLC ± 0.13[.005] | 3 PLC ± - | APPLICATION SPEC | DRAWING NO C=87523 | RESTRICTED TO - |
| 4 PLC ± - | ANGLES ± - | FINISH SEE TABLE | WEIGHT - | SCALE 10:1 |
| MATERIAL CU-SN-P, ALY 521 | FINISH SEE TABLE | CUSTOMER DRAWING | SHEET 1 OF 1 | REV U2 |

X-ON Electronics

Largest Supplier of Electrical and Electronic Components

Click to view similar products for [Headers & Wire Housings](#) category:

Click to view products by [TE Connectivity](#) manufacturer:

Other Similar products are found below :

[95000-104TRLF](#) [10135584-644402LF](#) [DF62W-EP2022PCA](#) [95000-106TRLF](#) [DF62W-2022SCA](#) [DF62W-EP2022PC](#) [2203348](#) [DF62W-2022SC](#) [1084018](#) [1029039](#) [1084017](#) [802-10-012-10-002000](#) [1112640](#) [1112639](#) [000-34000](#) [0009482033](#) [0009507031](#) [57102-S06-03LF](#) [57202-S52-04LF](#) [PCN6-15S-2.5E](#) [0039019024](#) [58102-G61-06LF](#) [582553-1](#) [0009485154](#) [0009508121](#) [0022285053](#) [0050291907](#) [018731A](#) [LY20-4P-DT1-P1E-BR](#) [02.125.8002.8](#) [60101931](#) [60598-1 \(Cut Strip\)](#) [M1625-3R/100](#) [61062-3](#) [61082-181009](#) [636-1427](#) [638009-1](#) [641938-9](#) [641991-4](#) [644168-1](#) [647662-1](#) [65039-019ELF](#) [65817-002LF](#) [65817-015LF](#) [65863-015LF](#) [66207-023LF](#) [67016-026LF](#) [67046-001LF](#) [67095-007LF](#) [67230-005LF](#)