

4

3

2

1

THIS DRAWING IS UNPUBLISHED.

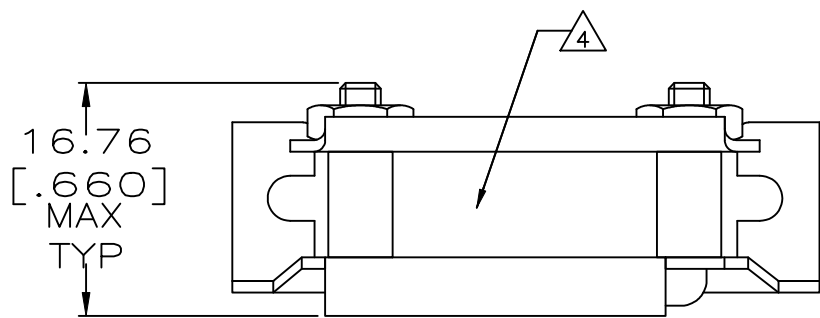
RELEASED FOR PUBLICATION

REVISIONS

© COPYRIGHT - TE Connectivity Ltd.

ALL RIGHTS RESERVED.

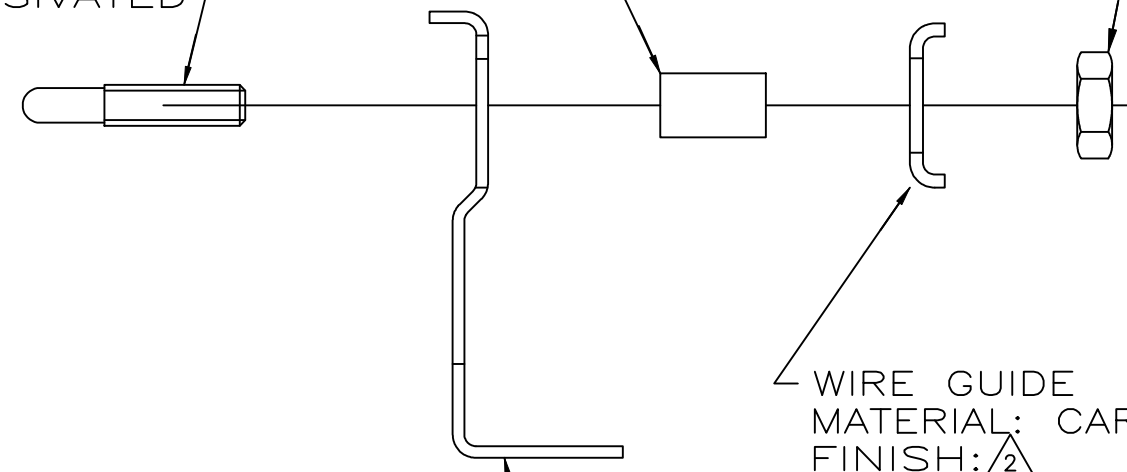
P	LTR	DESCRIPTION	DATE	DWN	APVD
G		REVISED PER ECO-08-031035	15DEC08	HMR	GS
H		REVISED PER ECO-18-017239	02NOV2018	RS	MZ



PROTECTIVE SLEEVE
 MATERIAL: POLYVINYL CHLORIDE
 COLOR: BLACK
 2 EA

U BOLT
 MATERIAL: $\triangle 1$
 FINISH: PASSIVATED

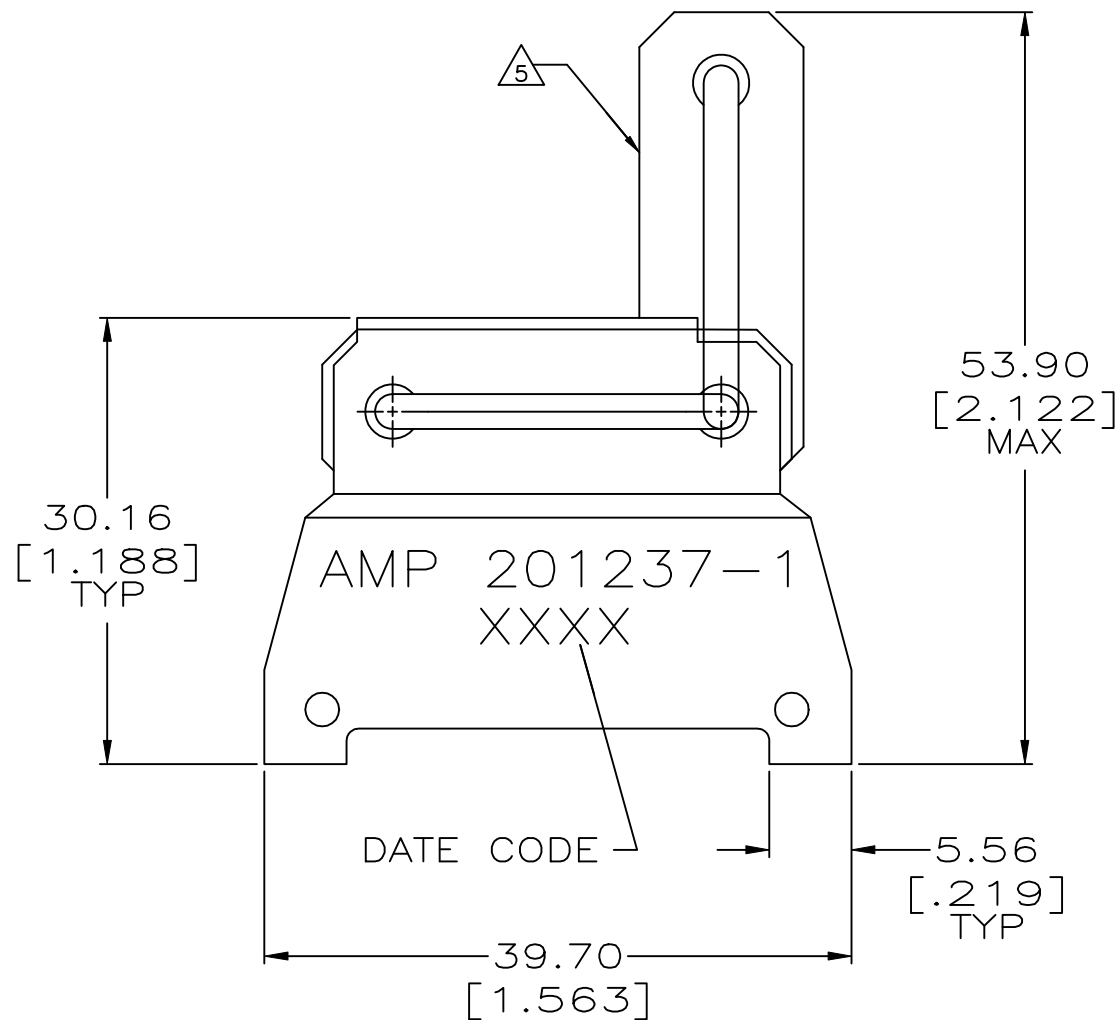
HEX NUT, 4-40 UNC
 MATERIAL: CARBON STEEL
 FINISH: $\triangle 3$
 2 EA



WIRE GUIDE
 MATERIAL: CARBON STEEL
 FINISH: $\triangle 2$

BRACKET
 MATERIAL: STAINLESS STEEL

- $\triangle 1$ STAINLESS STEEL PER QQ-S-763.
- $\triangle 2$ 5.08um[.000200] MIN NICKEL.
- $\triangle 3$ ZINC PER ASTM-B-633.
- $\triangle 4$ 161.29 SQ mm[.250 SQ IN] MAX CLAMP AREA.
- $\triangle 5$ ALTERNATE POSITION OF CABLE CLAMP FOR 90° CABLE OUTLET.



ASSEMBLED VIEW

	201237-2
OBSOLETE	201237-1
	PART NUMBER

THIS DRAWING IS A CONTROLLED DOCUMENT.		DWN C. REIFSNYDER 18 APR 96	TE Connectivity Ltd.	
		CHK R. STONE 24 MAY 96		
DIMENSIONS: mm [INCHES]		APVD G. STEINHAUER 21 JUN 96	NAME CLAMP KIT, UNASSEMBLED, STRAIN RELIEF, 20 PLACE, M SERIES	
		PRODUCT SPEC -	APPLICATION SPEC -	
TOLERANCES UNLESS OTHERWISE SPECIFIED:		WEIGHT -	SIZE A3	CAGE CODE 00779
MATERIAL SEE CALLOUTS		FINISH SEE CALLOUTS	DRAWING NO C=201237	RESTRICTED TO -
CUSTOMER DRAWING			SCALE 2:1	SHEET 1 of 1
			REV H	

X-ON Electronics

Largest Supplier of Electrical and Electronic Components

Click to view similar products for [Rack & Panel Connectors](#) category:

Click to view products by [TE Connectivity](#) manufacturer:

Other Similar products are found below :

[00170420102](#) [00171420202](#) [00171440002](#) [008026165000265](#) [00-8219-072-000-112P44](#) [008219072000112P5](#) [02-014-013-5200-000](#) [613467-000](#) [CTJ112E01E-513](#) [CTJ116E03A-513](#) [M81714/63-22S L/C](#) [M81714/65-12-1](#) [66020-2](#) [CW8958-000](#) [699886-000](#) [D250-50632](#)
[70.400.3240.0](#) [70.955.2453.3](#) [733753-000](#) [F22831-000](#) [780-522-DPX34RG8-02](#) [MMA25-0341D1](#) [8660-501](#) [87.060.0053.0](#) [900709N001](#)
[QRP4-12P-C\(01\)](#) [QR/P6-6S-C\(01\)](#) [AC-600003-004](#) [1218600-1](#) [D-659-0061](#) [DMC-MD 24 C-T](#) [1-445717-6](#) [1484398-2](#) [1484399-2](#) [1484469-2](#) [MR-34MG](#) [1484225-1](#) [1484398-1](#) [1604997-2](#) [1663130-1](#) [1663767-7](#) [1663767-8](#) [MTC100-BF1-P31CS015](#) [MTC100-KT2-0083](#) [MTC100-KT2-0123-003](#) [MTC100-YA1-005](#) [MTCB1X-105-XXX](#) [MTCPQKT1P2PGDC](#) [MTCPQKT1R2PGCA](#) [MTCR-103-04S](#)