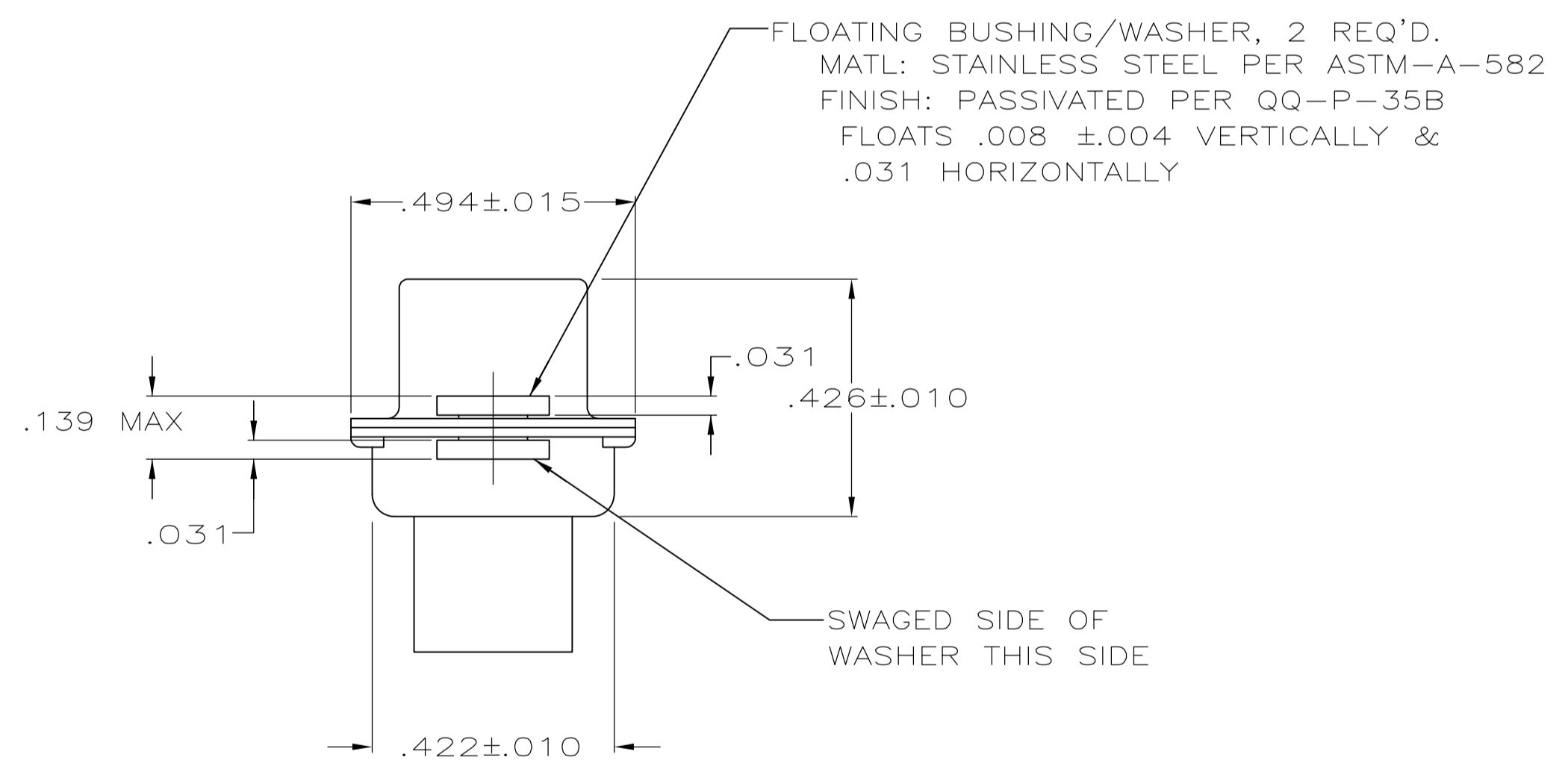
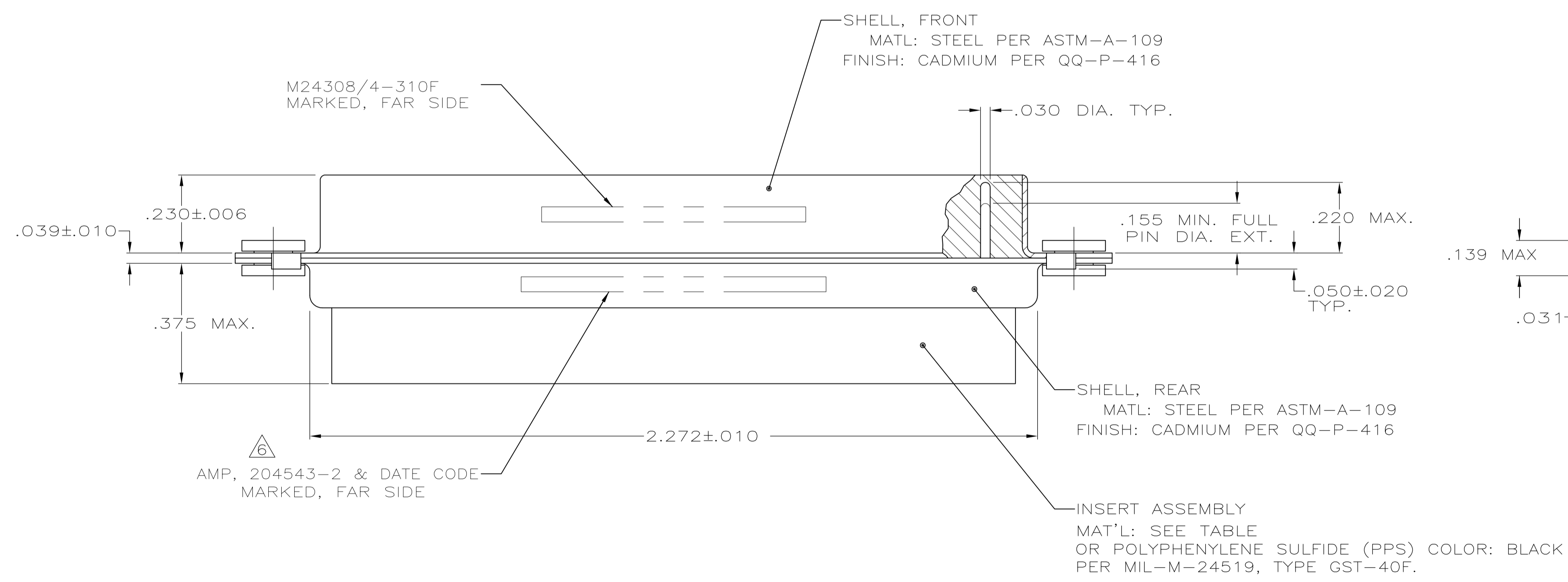
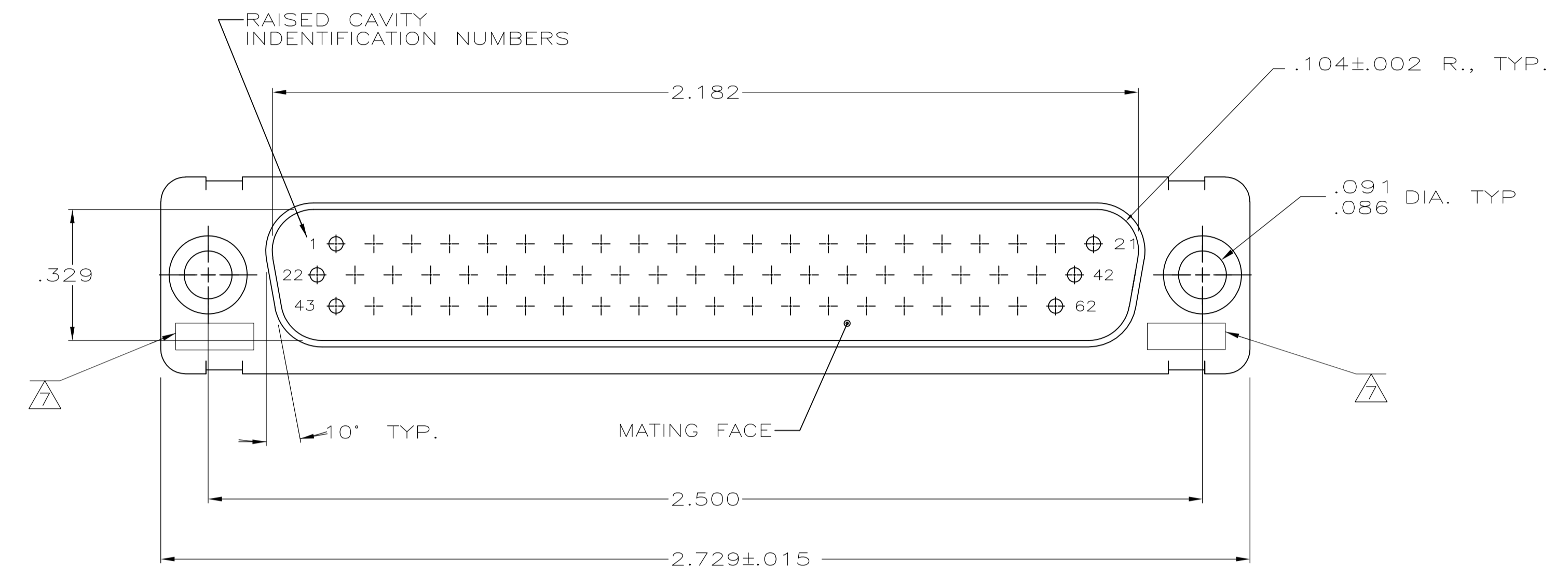


LOC		DIST		REVISIONS			
P	LTR	DESCRIPTION	DATE	DMN	APVD		
R		REV PER ECO-15-016062	10NOV15	KG	CD		



- THIS PLUG IS DESIGNED TO CONFORM TO THE LATEST ISSUE OF MIL-C-24308
 - MAX WIRE INSUL. TO BE USED WITH THIS PLUG IS .054 DIA.
 - METAL RETENTION CLIPS ARE INCLUDED IN INSERTS
 - PACKAGE MARKED M 24308/4-332F
 - THIS PLUG WILL ACCEPT SIZE 22 PIN CONTACT M 24308/13 OR AMP # 204370
- AMP PART NO. MARKED ON CONNECTOR REPRESENTS KIT NUMBER WITH CONTACTS
 UL/CSA DESIGNATION MARKED IN THIS AREA.

THIS DRAWING IS A CONTROLLED DOCUMENT.		DIN C.C.THOMAS 12-4-87		TE Connectivity																							
DIMENSIONS: INCHES		TOLERANCES UNLESS OTHERWISE SPECIFIED:																									
<table border="1"> <tr><td>0. PLC</td><td>± -</td></tr> <tr><td>1. PLC</td><td>± -</td></tr> <tr><td>2. PLC</td><td>± -</td></tr> <tr><td>3. PLC</td><td>± 0.005</td></tr> <tr><td>4. PLC</td><td>± -</td></tr> <tr><td>ANGLES</td><td>± 0°30'</td></tr> </table>		0. PLC	± -	1. PLC	± -	2. PLC	± -	3. PLC	± 0.005	4. PLC	± -	ANGLES	± 0°30'	<table border="1"> <tr><td>APVD</td><td>F.C.BALLEW III</td></tr> <tr><td>DATE</td><td>1-25-88</td></tr> <tr><td>PRODUCT SPEC</td><td></td></tr> <tr><td>APPLICATION SPEC</td><td></td></tr> <tr><td>WEIGHT</td><td></td></tr> </table>		APVD	F.C.BALLEW III	DATE	1-25-88	PRODUCT SPEC		APPLICATION SPEC		WEIGHT		NAME: AMPLIMITE PLUG FOR PIN CONTACTS HI-DENSITY D CONNECTOR SIZE4, 62 POSN., SERIES 90 WITH FLOAT BUSHINGS	
0. PLC	± -																										
1. PLC	± -																										
2. PLC	± -																										
3. PLC	± 0.005																										
4. PLC	± -																										
ANGLES	± 0°30'																										
APVD	F.C.BALLEW III																										
DATE	1-25-88																										
PRODUCT SPEC																											
APPLICATION SPEC																											
WEIGHT																											
MATERIAL: SEE CALLOUTS		FINISH: SEE CALLOUTS		SIZE: A1 CAGE CODE: 00779 DRAWING NO: C=204531																							
		CUSTOMER DRAWING		SCALE: 4:1 SHEET: 1 OF 1 REV: R																							

X-ON Electronics

Largest Supplier of Electrical and Electronic Components

Click to view similar products for [D-Sub MIL Spec Connectors](#) category:

Click to view products by [TE Connectivity](#) manufacturer:

Other Similar products are found below :

[M24308/4-13Z](#) [M8351307-B](#) [D38999/20FJ43HN](#) [D38999/24WG11PB-LC](#) [D38999/24WG41HN](#) [MDM-15PH041P](#) [MDM-21PH041P](#) [MDM-21SH003B-K139](#) [850-056-0812](#) [1218697-4](#) [DBMM25S](#) [MS27467T21F41S](#) [17D25HV](#) [1996840-1](#) [243082-15](#) [1663962-1](#) [1757682-1](#) [17D-E51218-1](#) [17SDA15S](#) [1883533-1](#) [1883886-1](#) [1883889-1](#) [192900-0377](#) [308-CP6P0441-024H](#) [M24308/2-3Z](#) [M24308/4-3Z](#) [M24308/4-4F](#) [M24308/4-4Z](#) [M24308/8-347](#) [M83513/03-E09C](#) [M83723/75W2212N L/C](#) [D38999/24FJ29PN-LC](#) [D38999/24WG11SB-LC](#) [MDM-21PH046P](#) [5-1218949-1](#) [550-031NF1R6K](#) [550E001NF1R3J0L](#) [550T001NF1R6K0L](#) [557T283NF5B08](#) [C115368-1612B](#) [C115370-1717B](#) [DC121073157](#) [443869-3](#) [443869-4](#) [443869-5](#) [550S004NF1R1B0F03](#) [550-031NF1R2E](#) [550E003M2R9J0F04](#) [550E003M3R9J0F05](#) [550E024M104R9J0](#)