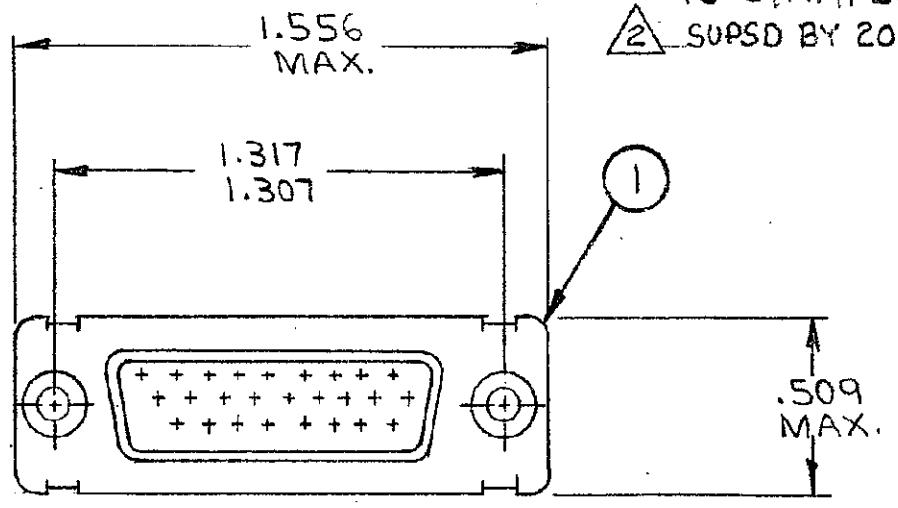


DRAWING MADE IN AMERICAN PROJECTION

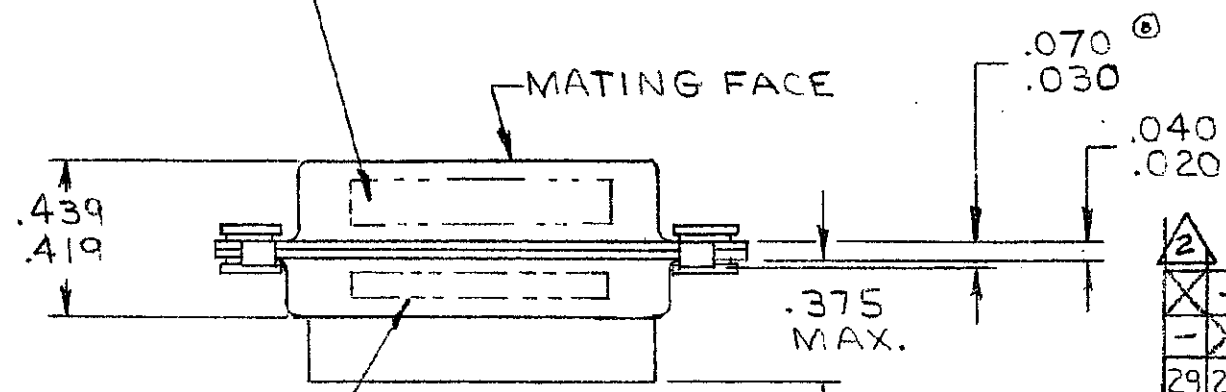
ALL RIGHTS RESERVED. AMP PRODUCTS COVERED BY PATENTS AND/OR PATENTS PENDING.

Produced nor published without written permission of AMP Incorporated

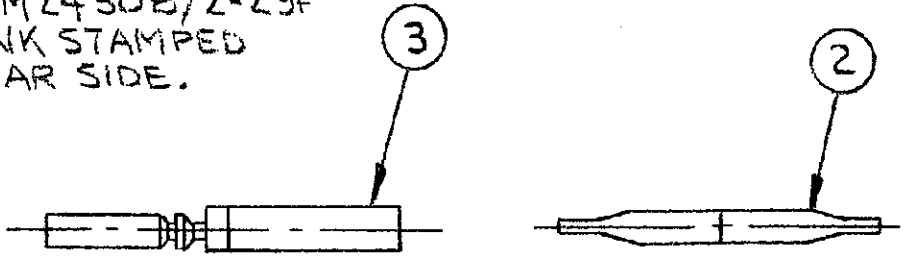
① APPROPRIATE AMP P/N (KIT) IS STAMPED ON PACKAGE.
 ② SUPSD BY 204538-2 & 91067-1



"AMP" & DATE CODE INK STAMPED NEAR SIDE.



③ MILITARY P/N M24308/2-29F INK STAMPED FAR SIDE.



REVISIONS				
ZONE	LTR	DESCRIPTION	DATE	APPROVED
	A	REV. & REDRAWN, RELEASED WAS 5066-172 PER ECN A-962	12-29-70	Lm/AS
		NOTES ADDED ECN B-011	2/4/71	AS
	B	REV. PER ECN B-948	5/11/73	Lm/AS
	B1	REV. PER ECN E-342	5/19/76	Lm/AS
	C	REV. PER ECN G-047	2/3/77	AS
	D	REV PER ECN DF-0021; DF-0160 & R2670	1-13-88	Edm
	E	REV PER Q600-6687-97	8-20-90	CT

29	29	-	B	204351-1	CONTACT, SOCKET, SIZE 22D	3
1	1	-	B	91067-1	INSERTION & EXTRACTION TOOL	2
1	1	1	A	204526-1	RECEPTACLE ASSY., SIZE #2	1
3	2	-		DWG NUMBER	NAME	ITEM NO.

UNLESS OTHERWISE SPECIFIED DIMENSIONS ARE IN INCHES: TOLERANCES ON: DECIMALS ± .010 ANGLES ± .1°	CONTRACT NO.	AMP INCORPORATED HARRISBURG, PENNSYLVANIA	
	DR. <i>L. Morawington</i> 12-29-70	NAME KIT "HDD" SERIES, RECEPTACLE, SIZE #2	
MATERIAL	CHK. <i>AS</i> 1-19-71	SIZE	CODE IDENT NO.
	APPD. <i>D. Sauer</i> 1-19-71	B	00779
	REL. <i>A. Holliday</i> 1-19-71	NUMBER	204538
	DSGN APPD.	SCALE	1 OF 1
	OTHER APPD.		

X-ON Electronics

Largest Supplier of Electrical and Electronic Components

Click to view similar products for [D-Sub MIL Spec Connectors](#) category:

Click to view products by [TE Connectivity](#) manufacturer:

Other Similar products are found below :

[M24308/4-13Z](#) [M8351307-B](#) [D38999/20FJ43HN](#) [D38999/24WG11PB-LC](#) [D38999/24WG41HN](#) [MDM-15PH041P](#) [MDM-21PH041P](#) [MDM-21SH003B-K139](#) [850-056-0812](#) [1218697-4](#) [DBMM25S](#) [MS27467T21F41S](#) [17D25HV](#) [1996840-1](#) [243082-15](#) [1663962-1](#) [1757682-1](#) [17D-E51218-1](#) [17SDA15S](#) [1883533-1](#) [1883886-1](#) [1883889-1](#) [192900-0377](#) [308-CP6P0441-024H](#) [M24308/2-3Z](#) [M24308/4-3Z](#) [M24308/4-4F](#) [M24308/4-4Z](#) [M24308/8-347](#) [M83513/03-E09C](#) [M83723/75W2212N L/C](#) [D38999/24FJ29PN-LC](#) [D38999/24WG11SB-LC](#) [MDM-21PH046P](#) [5-1218949-1](#) [550-031NF1R6K](#) [550E001NF1R3J0L](#) [550T001NF1R6K0L](#) [557T283NF5B08](#) [C115368-1612B](#) [C115370-1717B](#) [DC121073157](#) [443869-3](#) [443869-4](#) [443869-5](#) [550S004NF1R1B0F03](#) [550-031NF1R2E](#) [550E003M2R9J0F04](#) [550E003M3R9J0F05](#) [550E024M104R9J0](#)