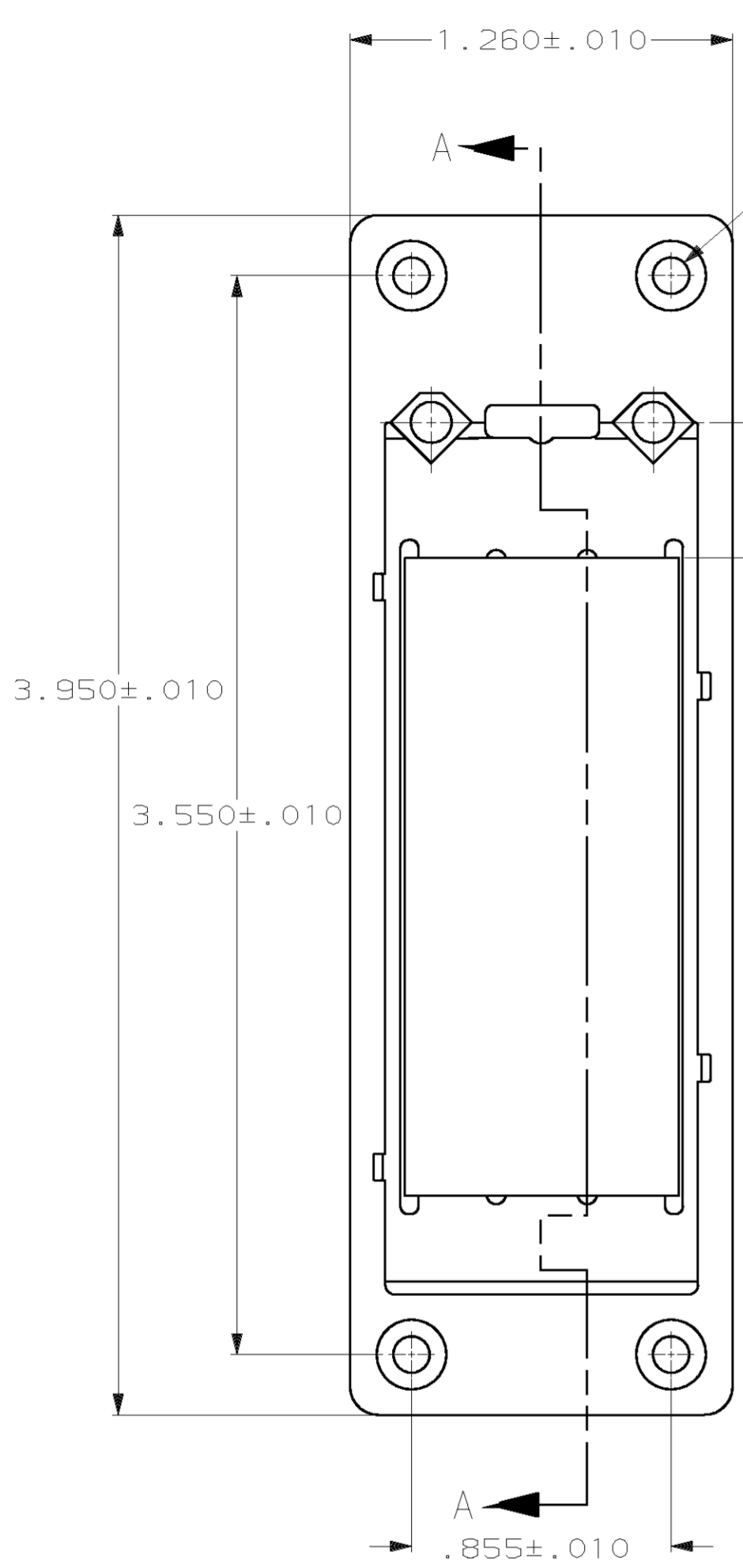
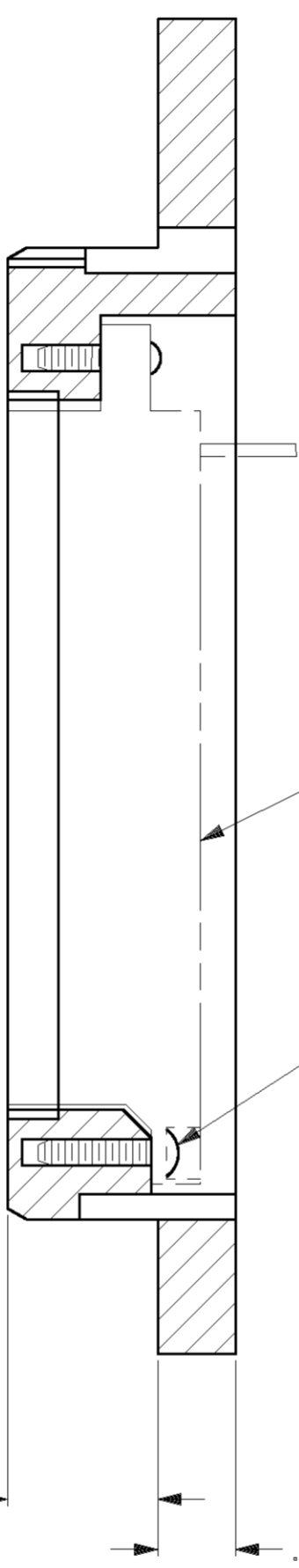


LOC	DIST	P	F	ZONE	LTR	REVISIONS	DATE	APPD
DF	EO				G	REV PER 063D-0362-01 JMK	6-03	RG

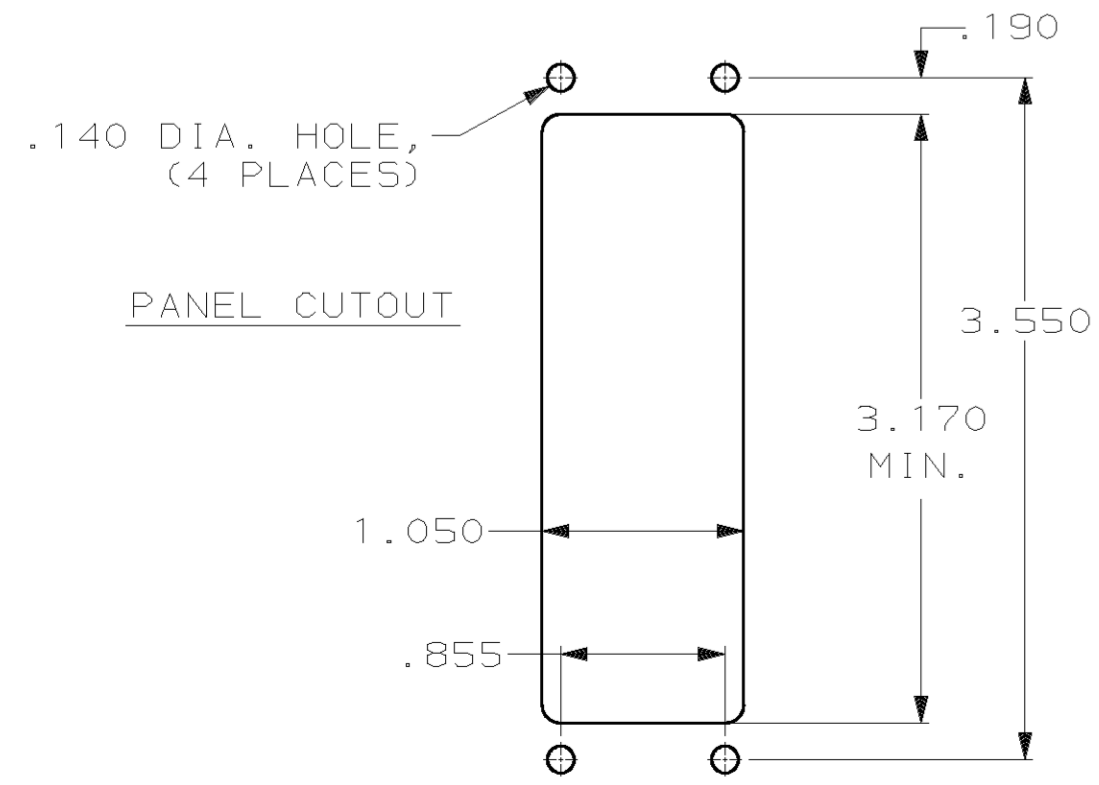
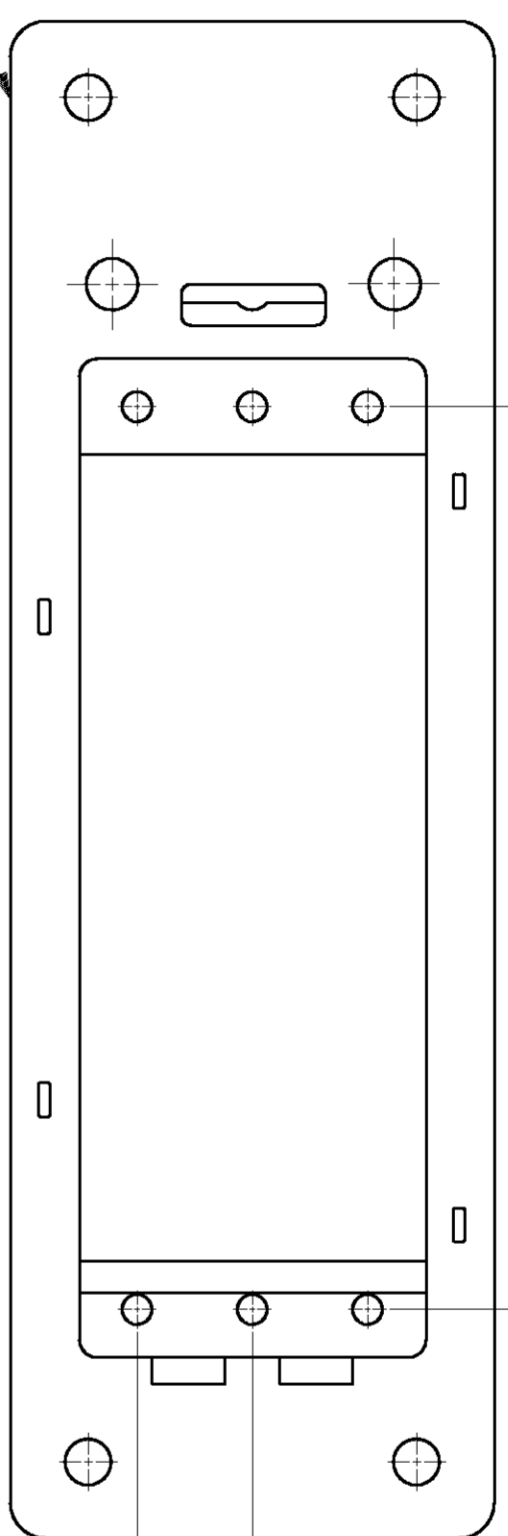


MTG. HOLES FOR #4 SCREWS

RECEPTACLE HOUSING,
 MAT'L: GLASS REINFORCED
 THERMOPLASTIC
 COLOR: BLACK



SECTION A-A



- PARTS PACKAGED UNASSEMBLED.
- RECPT. MODULE ASSY. SHOWN FOR REF. ONLY, MUST BE ORDERED SEPARATELY.
- AMP P/N & DATE CODE INK STAMPED ON KIT BAG.
- AMP PART NO., DATE CODE AND CUST. PART NO. INK STAMPED ON KIT BAG.

3		207356-2
4	218A4549P1	207356-1
IN K STAMPING	CUSTOMER P/N	PART NO

DO NOT SCALE PRINT. UNLESS SPECIFIED DIMENSIONS IN INCHES TOLERANCES ON : 2 PLC DEC ± - 3 PLC DEC ± .005 ANGLES ± -	DR 12-19-88 T. WIEST CHK 1-3-89 D. MUMMEY APPD 1-3-89 D. MUMMEY APPD 1-3-89 D. MUMMEY	AMP INCORPORATED Harrisburg, Pa. 17105	
MATERIAL	PRODUCT SPEC	NAME RECEPTACLE KIT, SIZE 1 (FOR WIRE WRAP)	
FINISH	APPLICATION SPEC	SIZE C	FSCM NO 00779
WEIGHT		SCALE 2:1	DRAWING NO 207356
			SHEET 1 OF 1

X-ON Electronics

Largest Supplier of Electrical and Electronic Components

Click to view similar products for [FFC & FPC Connectors](#) category:

Click to view products by [TE Connectivity](#) manufacturer:

Other Similar products are found below :

[HFW11R-1STE1H1LF](#) [FH29B-100S-0.2SHW\(99\)](#) [FA5S008HP1](#) [FH29B-120S-0.2SHW\(99\)](#) [FH29B-80S-0.2SHW\(99\)](#) [FHS-16](#) [FPH-2022G](#)
[52610-1075](#) [52610-1275](#) [52610-1934](#) [XF3M\(1\)-1415-1B-R100](#) [501864-3091-TR225](#) [0525594033](#) [086210010340800](#) [086222026001800](#)
[52271-2869-CUT-TAPE](#) [62674-201121DLF](#) [62684-36210E9ALF](#) [52610-1675](#) [52746-1671-TR250](#) [10051922-2810EHLF](#) [6-520415-9](#)
[BD021-09A-A1-0350-0200-0550-LD](#) [SFV6R-1STE9HLF](#) [XF3M-2915-1B-R100](#) [1658549-1](#) [62674-221121ALF](#) [46214008010800](#)
[046298003000883](#) [151660622](#) [842-816-2630-035](#) [AYF530665TA](#) [AYF351525](#) [046296011930846+](#) [AYF352325A](#) [046254020000800+](#)
[FH19C-13S-0.5SH\(99\)](#) [FH39J-51S-0.3SHW\(99\)](#) [AYF355125A](#) [AYF530365TA](#) [FH29B-44S-0.2SHW\(99\)](#) [SFW5R-2STAE9LF](#) [AYF351125A](#)
[AYF350725A](#) [62684-502100AHLF](#) [FH39-61S-0.3SHW\(99\)](#) [AYF414035A](#) [10064555-172520HLF](#) [AYF212335A](#) [504754-2500](#)