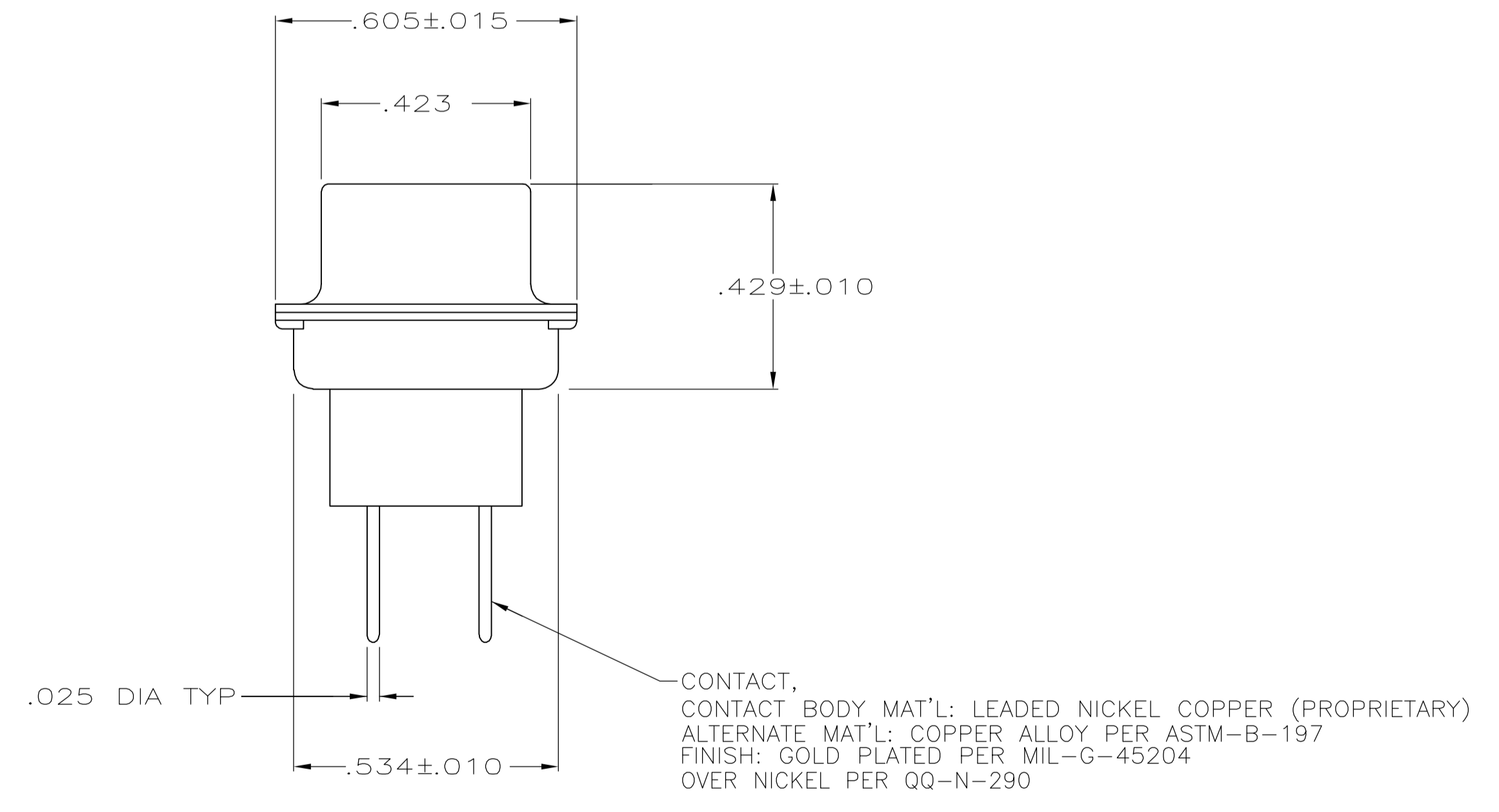
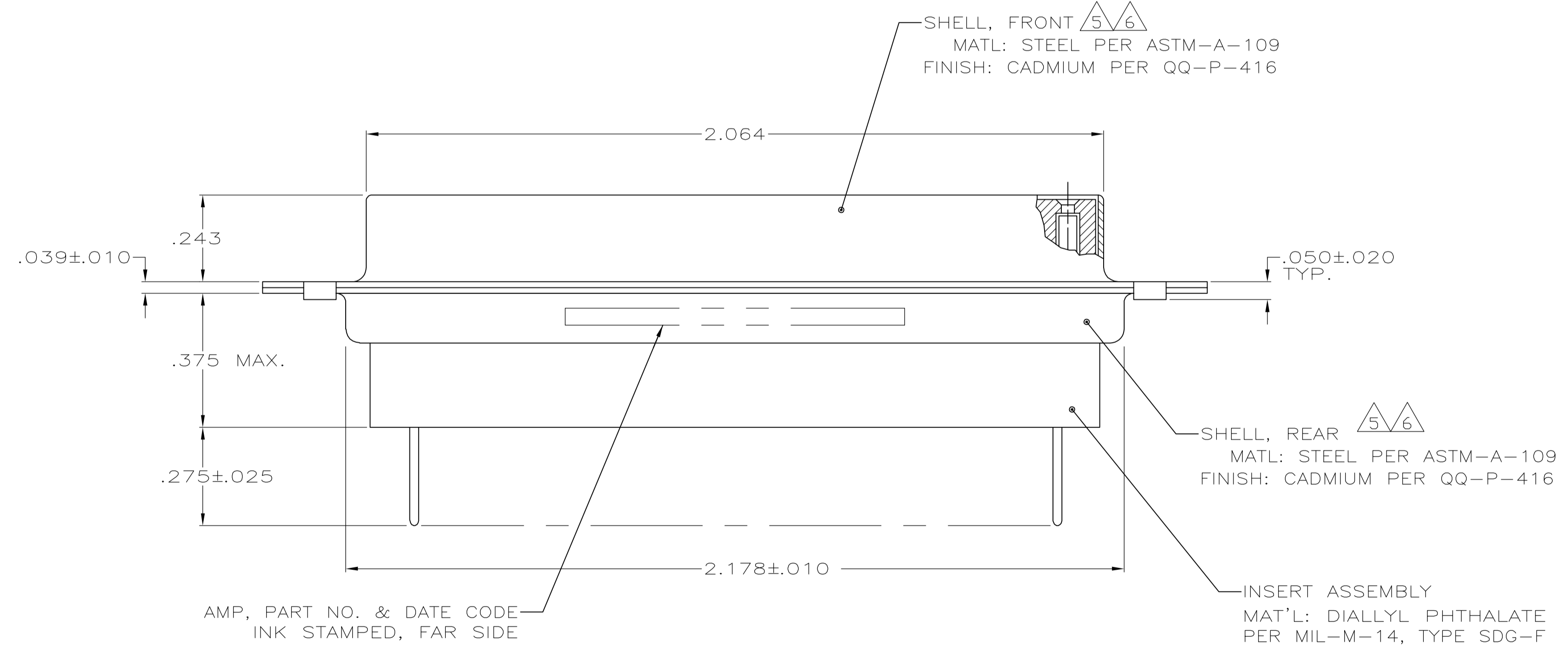
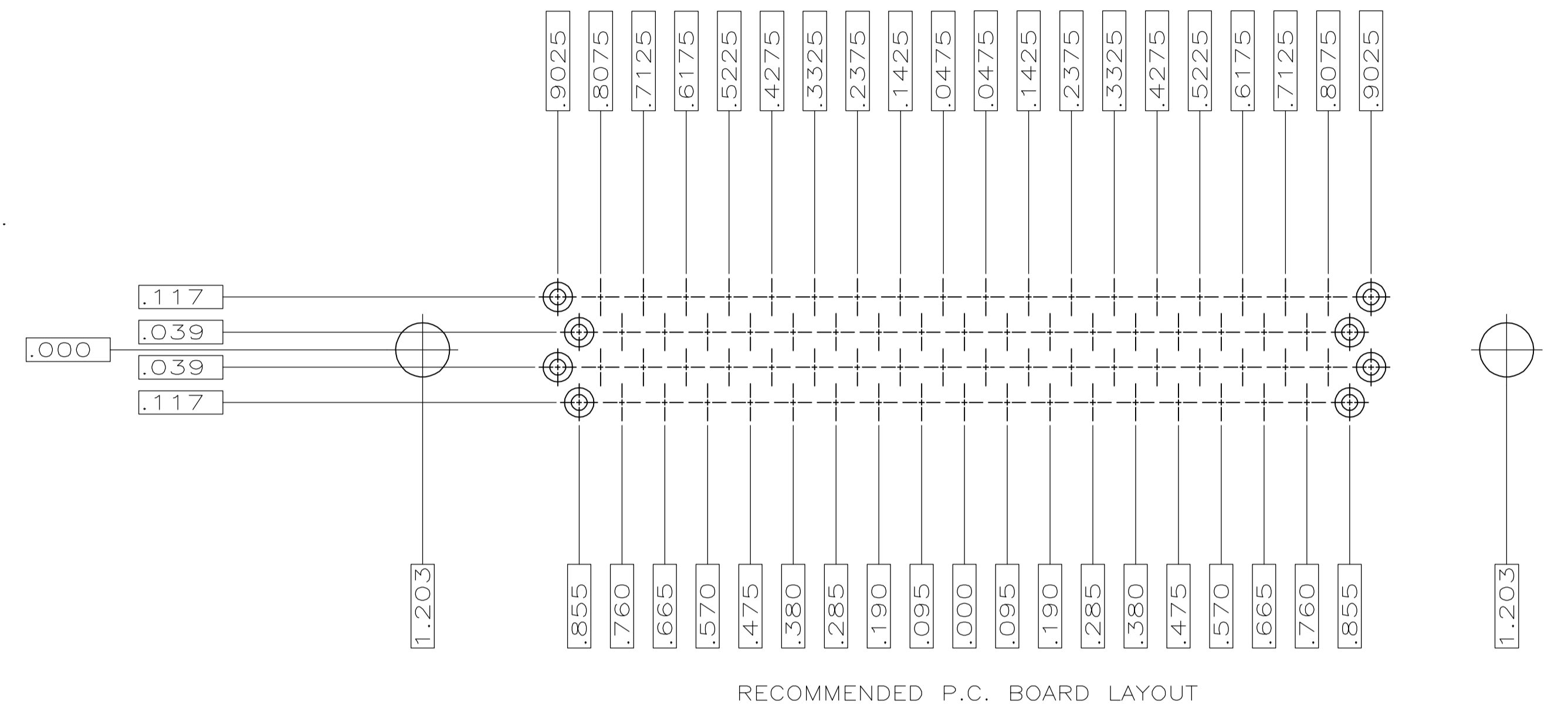
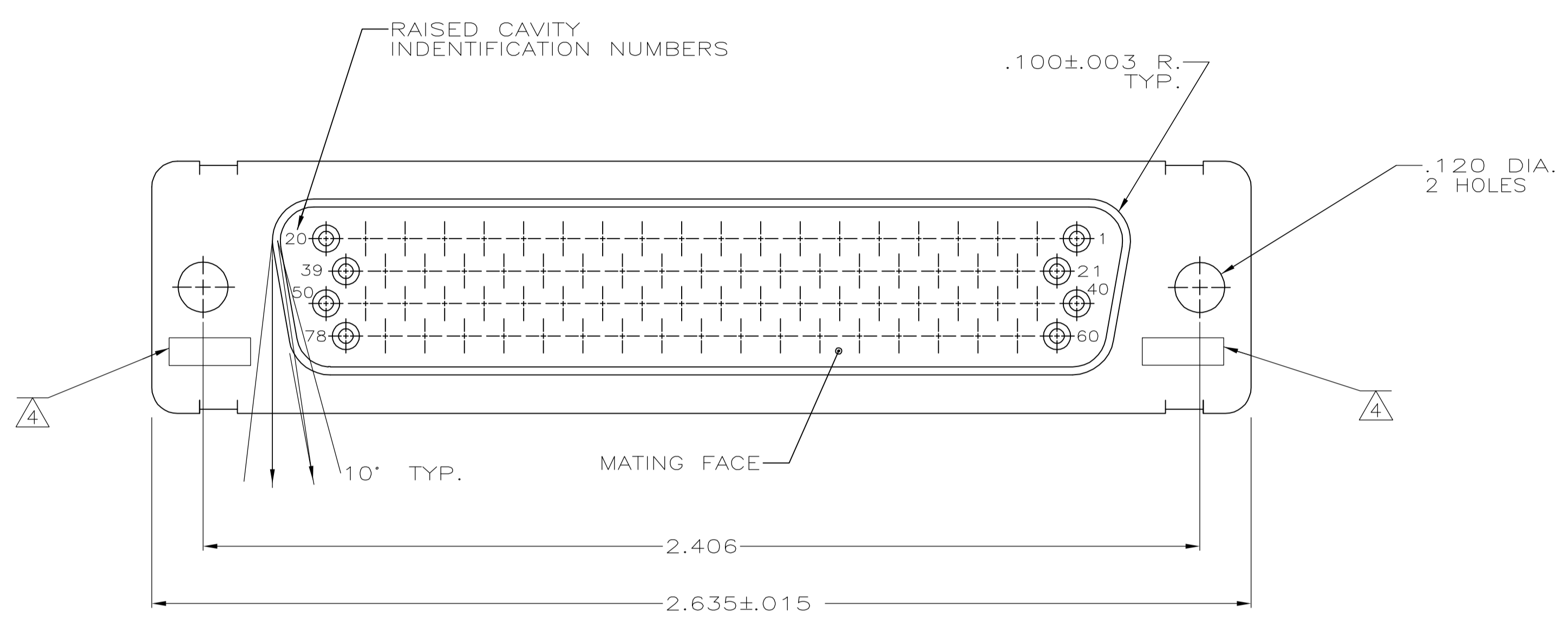


LOC		DIST		REVISIONS			
DF	DO	P	LTR	DESCRIPTION	DATE	DWN	APVD
		H		REV PER ECO 05-014881	23JAN06	BL	CT



- .040 DIA HOLE IS RECOMMENED FOR P.C. BOARD.
- CONNECTOR MATES WITH ANY AMP 78 POSN PLUG.
- REPLACEMENT SOCKET AMP# 207684-4.
- UL/CSA DESIGNATION STAMPED IN THIS AREA, OPTIONAL.
- FINISH: CADIU PER QQ-P-614.
- FINISH: ZINC PLATE PER ASTM-B-633 .000200-.000400 THK WITH SUPPLEMENTARY CHROMATE (Cr3+).

6	5-208876-1
5	208876-1
REMARKS	PART NO

THIS DRAWING IS A CONTROLLED DOCUMENT.

DIMENSIONS: INCHES	TOLERANCES UNLESS OTHERWISE SPECIFIED	DIN C.C.THOMAS 1-8-88	1-8-88		Tyco Electronics Corporation Harrisburg, PA 17105-3608
0 PLC ± .005	1 PLC ± .005	CHK F.C.BALLEW III	1-25-88		APVD
1 PLC ± .005	2 PLC ± .005			PRODUCT SPEC	AMPLIMITE 78 POSN. RCPT. ASSY., WITH LOADED POSTED CONTACTS, SIZE 5, SERIES 90
3 PLC ± .005	3 PLC ± .005			APPLICATION SPEC	SIZE CASE CODE DRAWING NO
4 PLC ± .005	4 PLC ± .005			WEIGHT	A1 00779 C=208876
ANGLES ± .005	FINISH ± .005			CUSTOMER DRAWING	RESTRICTED TO
MATERIAL SEE CALLOUTS	FINISH SEE CALLOUTS			SCALE 4:1	SHEET 1 OF 1 REV H

## X-ON Electronics

Largest Supplier of Electrical and Electronic Components

*Click to view similar products for [D-Sub MIL Spec Connectors](#) category:*

*Click to view products by [TE Connectivity](#) manufacturer:*

Other Similar products are found below :

[M24308/4-13Z](#) [M8351307-B](#) [D38999/20FJ43HN](#) [D38999/24WG11PB-LC](#) [D38999/24WG41HN](#) [MDM-15PH041P](#) [MDM-21PH041P](#) [MDM-21SH003B-K139](#) [850-056-0812](#) [1218697-4](#) [DBMM25S](#) [MS27467T21F41S](#) [17D25HV](#) [1996840-1](#) [243082-15](#) [1663962-1](#) [1757682-1](#) [17D-E51218-1](#) [17SDA15S](#) [1883533-1](#) [1883886-1](#) [1883889-1](#) [192900-0377](#) [308-CP6P0441-024H](#) [M24308/2-3Z](#) [M24308/4-3Z](#) [M24308/4-4F](#) [M24308/4-4Z](#) [M24308/8-347](#) [M83513/03-E09C](#) [M83723/75W2212N L/C](#) [D38999/24FJ29PN-LC](#) [D38999/24WG11SB-LC](#) [MDM-21PH046P](#) [5-1218949-1](#) [550-031NF1R6K](#) [550E001NF1R3J0L](#) [550T001NF1R6K0L](#) [557T283NF5B08](#) [C115368-1612B](#) [C115370-1717B](#) [DC121073157](#) [443869-3](#) [443869-4](#) [443869-5](#) [550S004NF1R1B0F03](#) [550-031NF1R2E](#) [550E003M2R9J0F04](#) [550E003M3R9J0F05](#) [550E024M104R9J0](#)