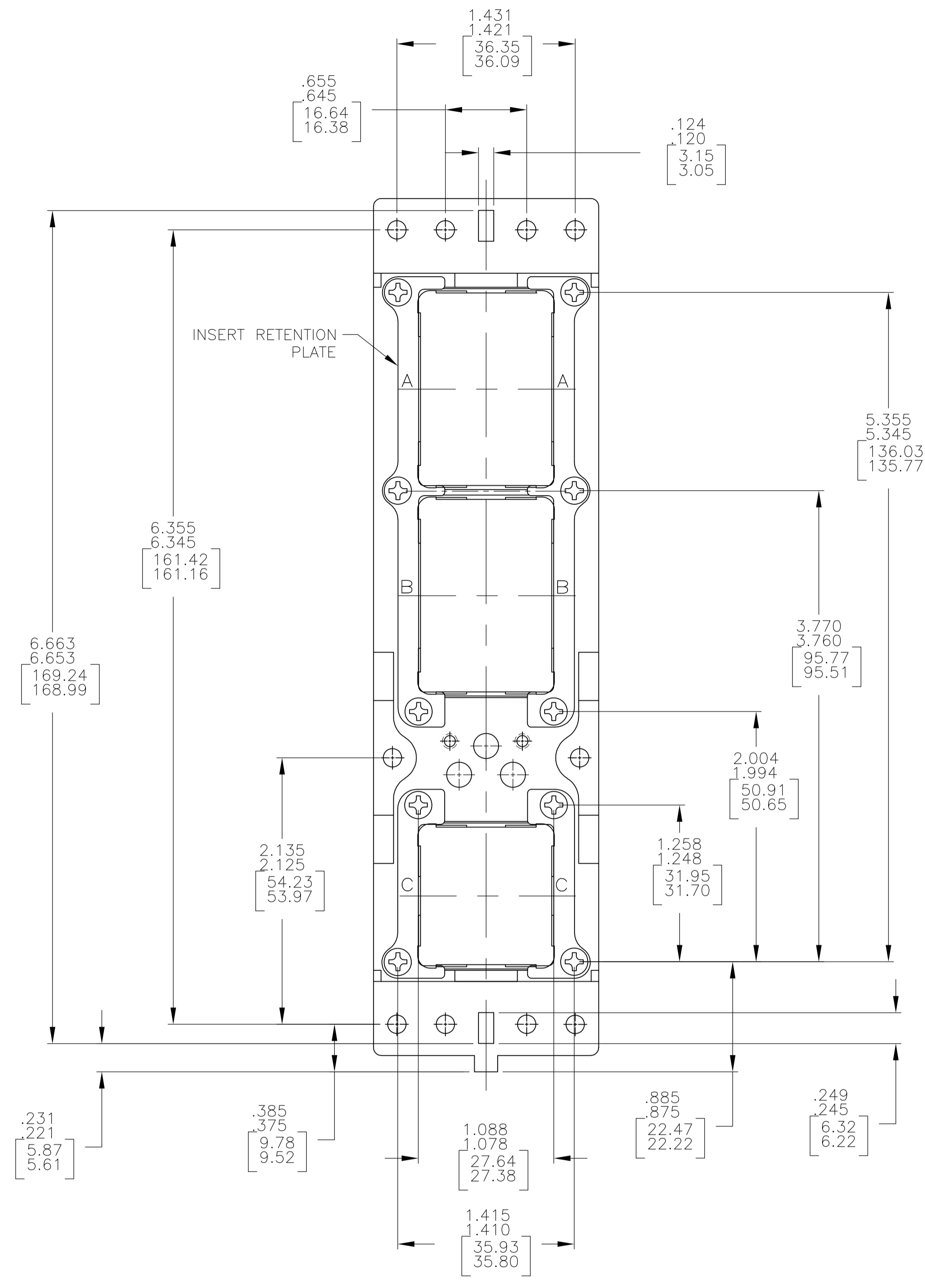
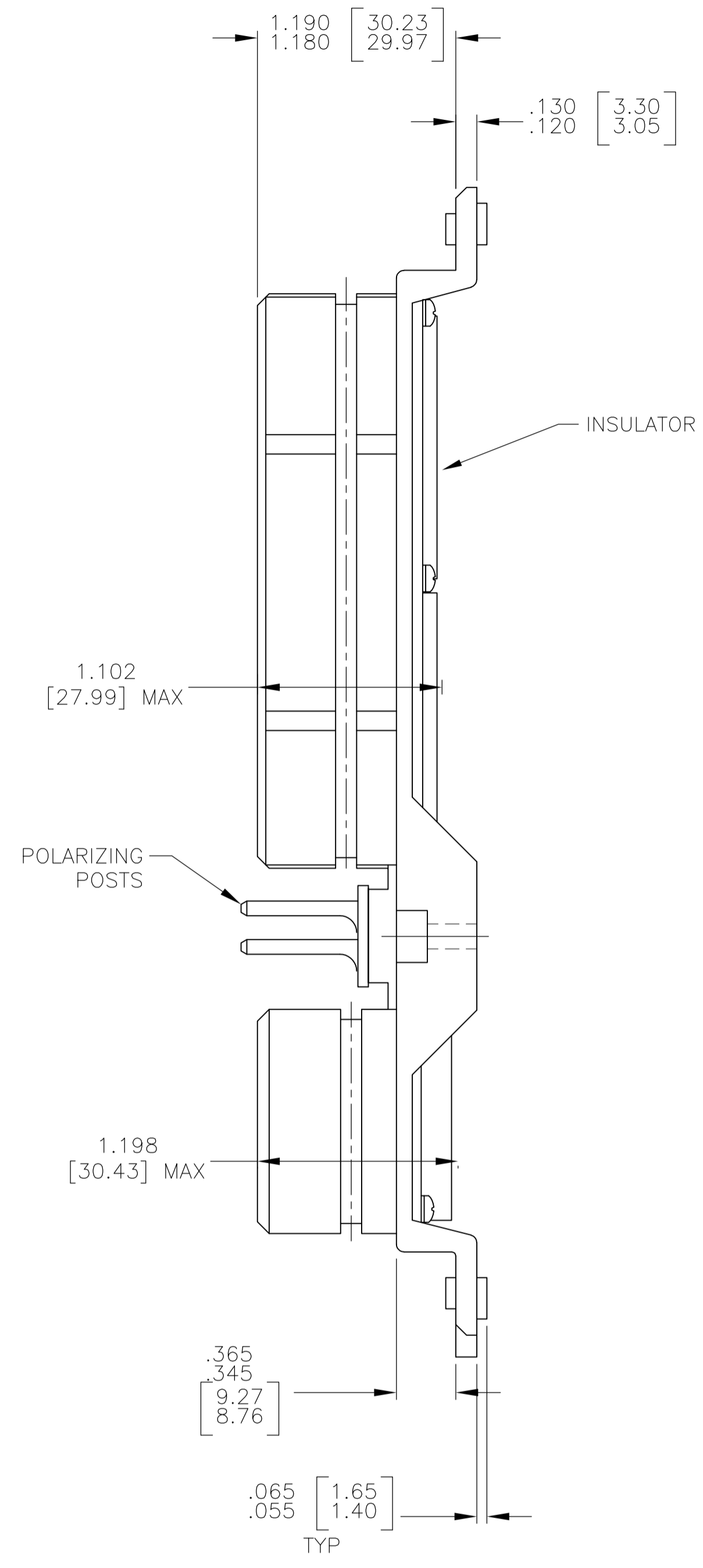
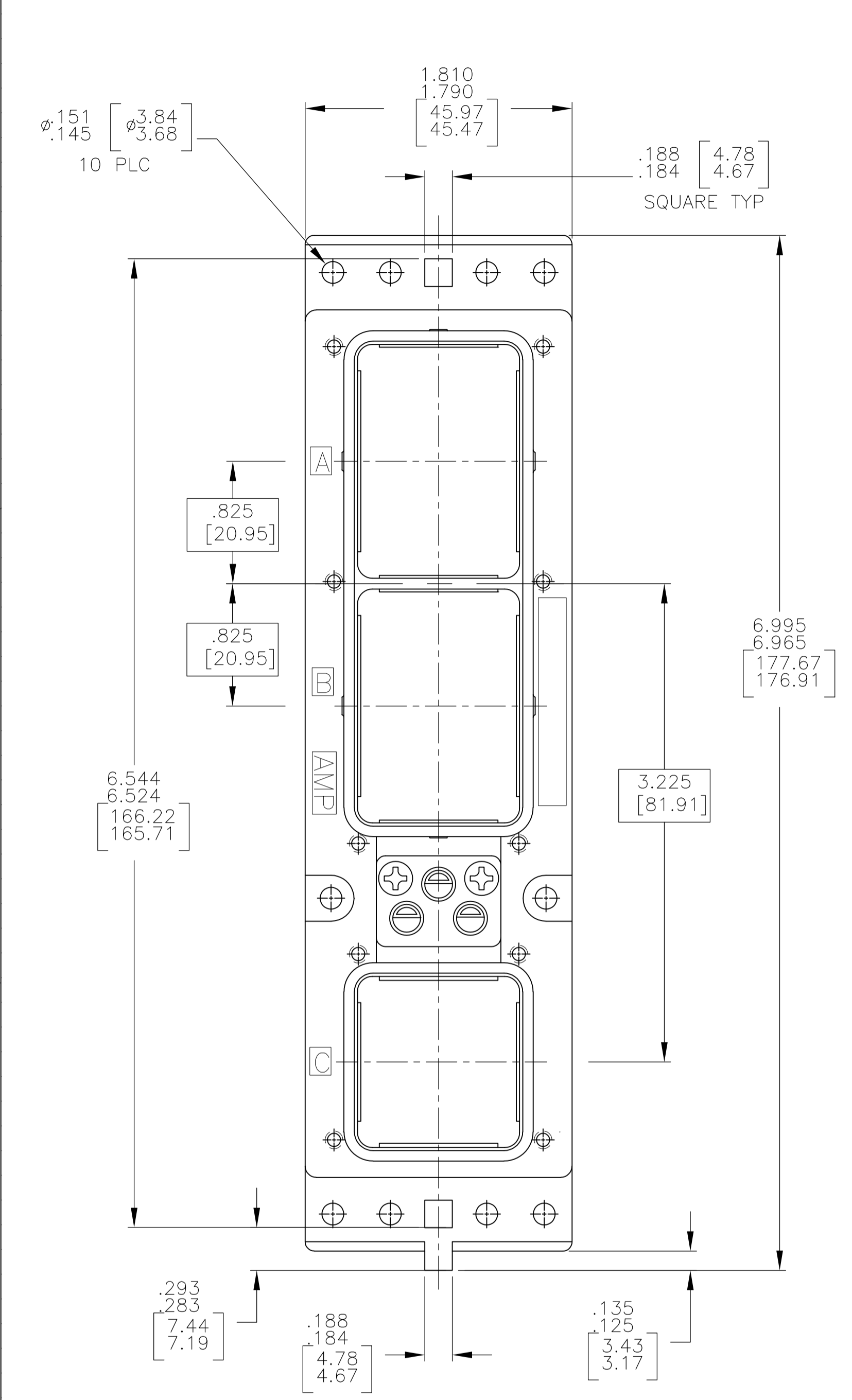


LOC	DIST	REVISIONS			
DF	AO	REV	DESCRIPTION	DATE	BY
		AG1	REVISED PER ECO-11-005030	11MAR11	RK HMR



NIC66H26A02AA0	7	4-208972-1
NIC66H20A08AA1	7	4-208972-0
NIC66H52A03AA0	7	3-208972-9
NIC66H21A06AA0	7	3-208972-8
NIC66H21A03AA0	7	3-208972-7
NIC66H20A00AA0	7	3-208972-5
NIC66H26A00AA1	7	3-208972-4
-	-	3-208972-3
NIC66H23A00CB1	7	3-208972-2
NIC66HN20A00AA0	8	3-208972-1
NIC66H52A00AA0	7	3-208972-0
NIC66H54A01AA1	7	2-208972-9
NIC66H20A AA0	7	2-208972-8
-	-	2-208972-7
-	-	2-208972-6
NIC66H53A01AA0	7	2-208972-5
NIC66H51A00AA0	7	2-208972-4
NIC66H23A02AA0	7	2-208972-3
NIC66H26A01SA1	7	2-208972-2
NIC66H23A05AA0	7	2-208972-1
NIC66H22A13AA0	7	2-208972-0
-	-	1-208972-9
NIC66H23A01CB1	7	1-208972-8
-	-	1-208972-7
NIC66H21A00AA0	7	1-208972-6
NIC66H26A01AA0	7	1-208972-5
NIC66H21A02AA0	7	1-208972-4
NIC66H26A01AA1	7	1-208972-3
NIC66H21A02AA1	7	1-208972-2
NIC66H21A14AA0	7	1-208972-1
NIC66H25A01AA1	7	1-208972-0
NIC66H25A01AA0	7	208972-9
NIC66H22A01AA1	7	208972-8
NIC66H23A01AA1	7	208972-7
-	-	208972-6
NIC66H23A01AA0	7	208972-5
-	-	208972-4
-	-	208972-3
NIC66H21A01AA1	7	208972-2
NIC66H21A01AA0	7	208972-1

- CONNECTOR DIMENSIONS ARE PER ARINC 600 SPECIFICATION
- KEYING SHOWN IN POSITION "01" FOR REFERENCE ONLY. CONNECTOR SHIPPED WITH KEYING PER ORDERING INSTRUCTIONS. FOR POSITION "00" KEYING SHIPPED UNASSEMBLED.
- FOR SHIPMENT CONTACTS (IF ORDERED) ARE INCLUDED IN A CONTAINER WITHIN THE CONNECTOR PACKAGE. COAX CONTACTS ARE NOT SUPPLIED AND MUST BE ORDERED SEPARATELY.
- SPECIAL WITH INSERTS 150/71C1/34 STANDARD MOUNTING. ALL CONTACTS ORDERED SEPARATELY. KEYED TO POSITION 01
- PRELIMINARY PART NUMBER, NOT RELEASED FOR PRODUCTION
- SEE SHEET 2 FOR INSERT ARRANGEMENTS
- CHEMICAL CONVERSION COATING PER MIL-C-5541, CLASS 1A
- ELECTROLESS NICKEL PER MIL-C-26074, CLASS 3 OR 4, GRADE B

COMPONENT	MATERIAL	FINISH
SHELL	DIE CAST ALUMINUM PER ASTM-B-85	SEE PART NUMBER TABLE
RETENTION PLATES	ALUMINUM ALLOY PER ASTM-B-209	SEE PART NUMBER TABLE
SCREWS AND LOCKWASHERS	STEEL OR STAINLESS STEEL	CHROMATE OVER ZINC OR PASSIVATED
POLARIZING POSTS	ZINC ALLOY PER ASTM-B-86	ELECTROLESS NICKEL PER MIL-C-26074 CLASS 4, GRADE B
INSERTS	THERMOSET	-
FILLER PLUG	TEFLON	-
POLARIZING POST RETAINING PLATE	ALUMINUM ALLOY PER ASTM-B-209	BLUE ANODIZED PER MIL-A-8625

THIS DRAWING IS A CONTROLLED DOCUMENT.

DIMENSIONS: INCHES

TOLERANCES UNLESS OTHERWISE SPECIFIED:

0 PLC	± .005
1 PLC	± .004
2 PLC	± .003
3 PLC	± .002
4 PLC	± .001
ANGLES	± .001

MATERIAL SEE TABLE FINISH SEE TABLE

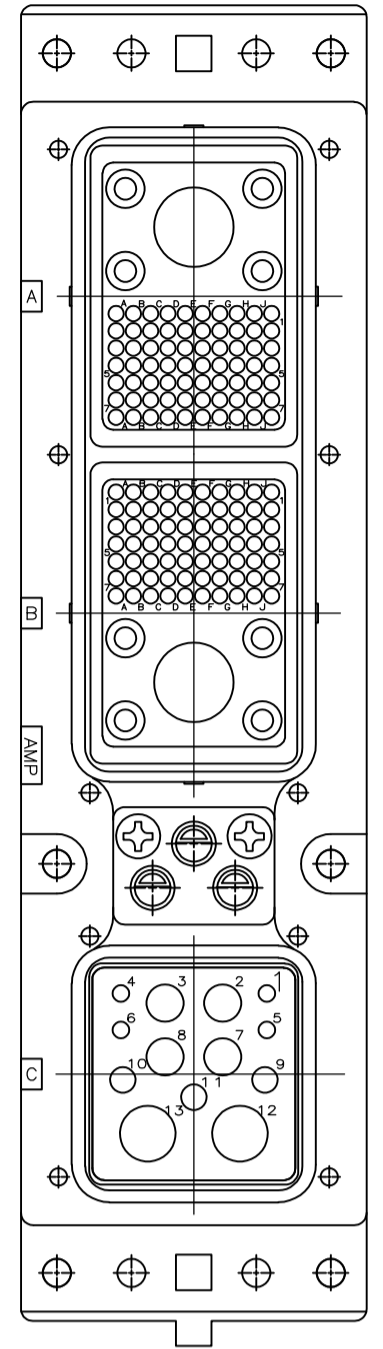
THIS DRAWING IS A CONTROLLED DOCUMENT. DWN C.C.THOMAS 11-27-95 CHK R.GROSS 4-11-96 REV R.GROSS 4-11-96 NAME PRODUCT SPEC APPLICATION SPEC WEIGHT RESTRICTED TO

STE TE Connectivity

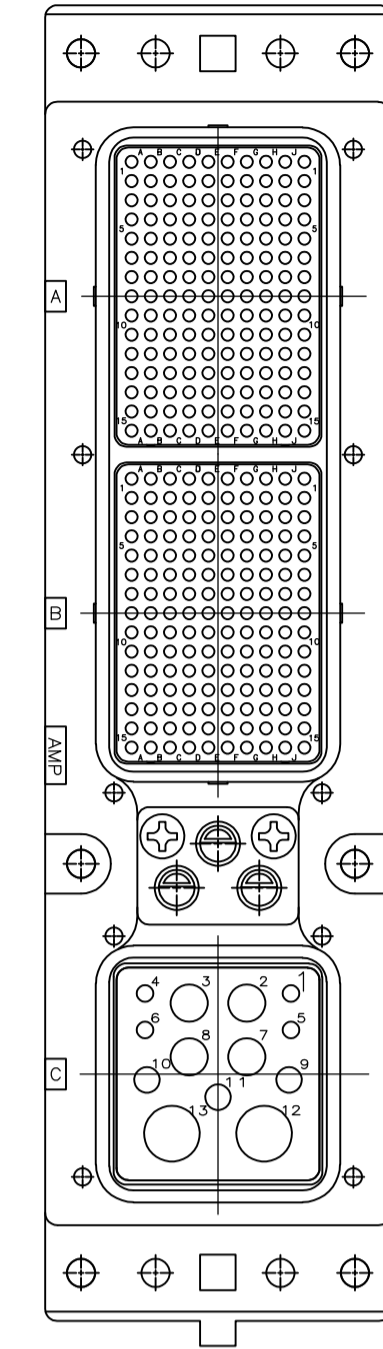
CONNECTOR ASSY, SIZE 2, CLASS A, PLUG/ARINC 600

SIZE: A1 CAGE CODE: 00779 DRAWING NO: 208972 SHEET 1 OF 2 REV AG1

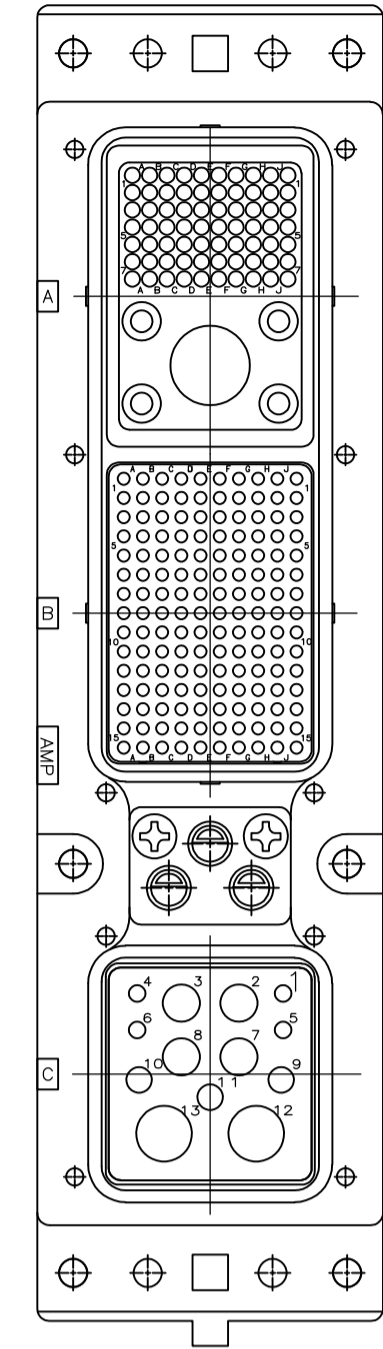
LOC		DIST		REVISIONS				
DF	AO	F	LTR	DESCRIPTION	DATE	DNW	APVD	
-	-	-	-	SEE SHEET 1	-	-	-	



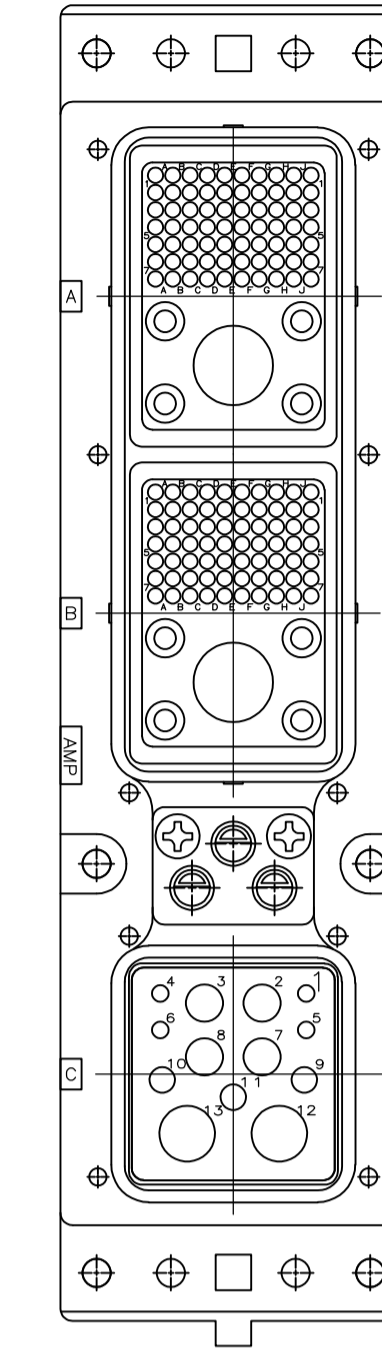
ARRANGEMENT 20  
FOR PART NUMBERS  
2-208972-8,-31,-35,-40



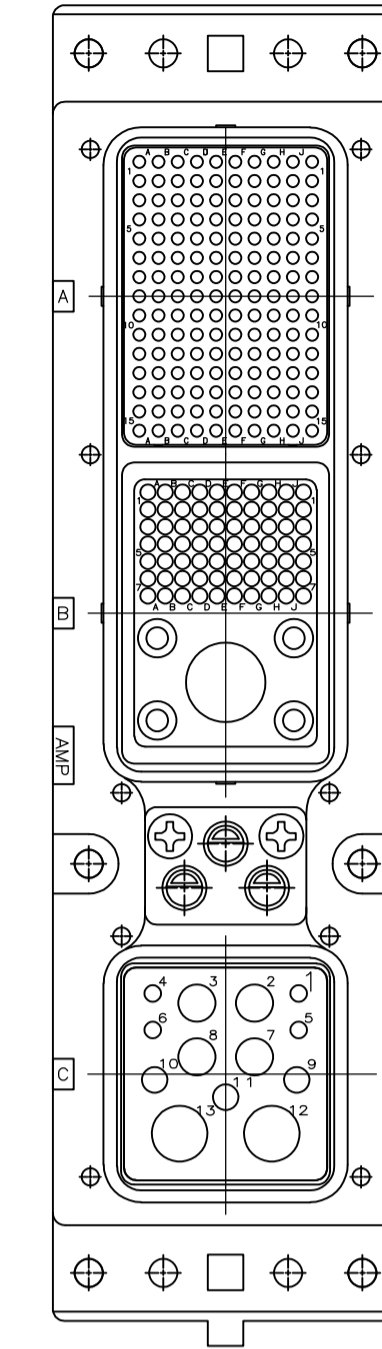
ARRANGEMENT 21  
FOR PART NUMBERS  
208972-1,-2,-11,-12,-14,-16,-17,-33,-36 & -37



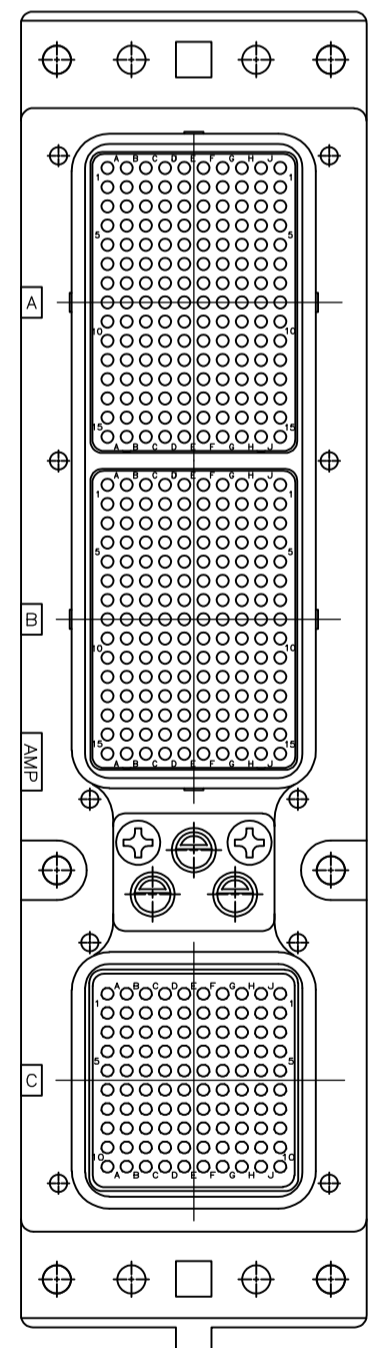
ARRANGEMENT 22  
FOR PART NUMBERS  
208972-8 & -20



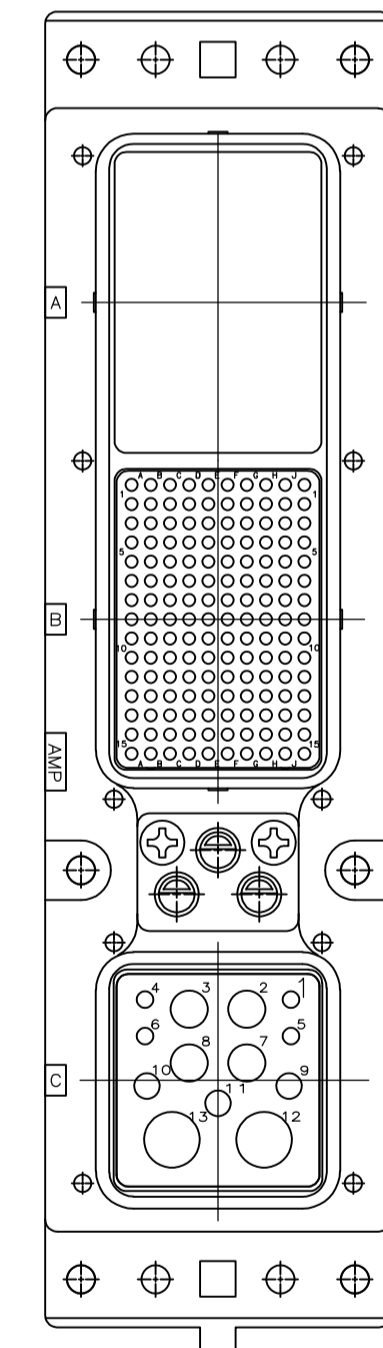
ARRANGEMENT 23  
FOR PART NUMBERS  
208972-5,-7,-18,-19,-21,-23 & -32



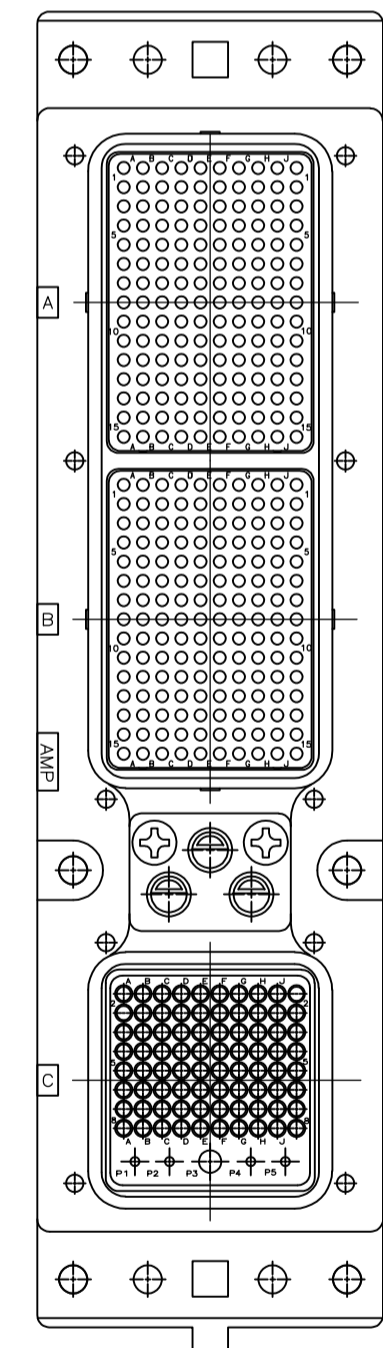
ARRANGEMENT 25  
FOR PART NUMBERS  
208972-4,-9 & -10



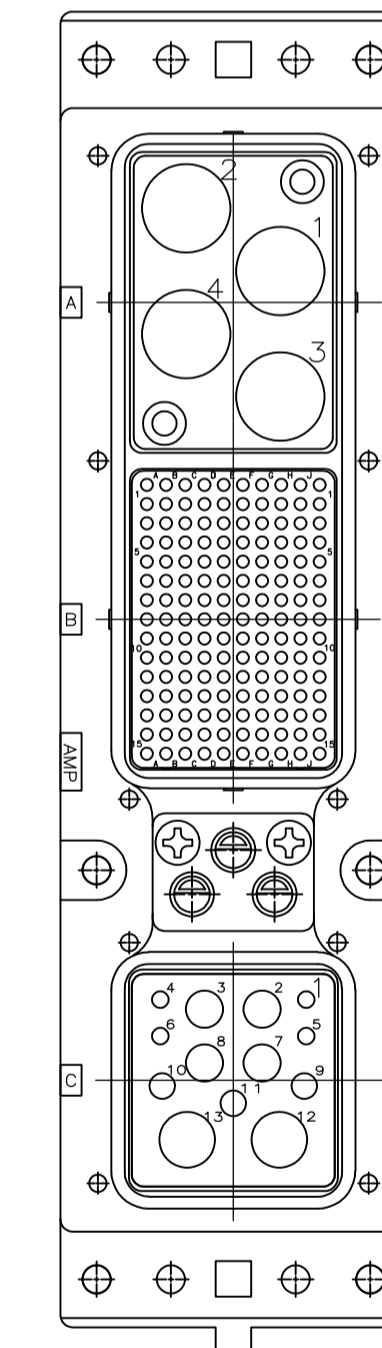
ARRANGEMENT 26  
FOR PART NUMBERS  
208972-13,-15,-22,-34 & -41



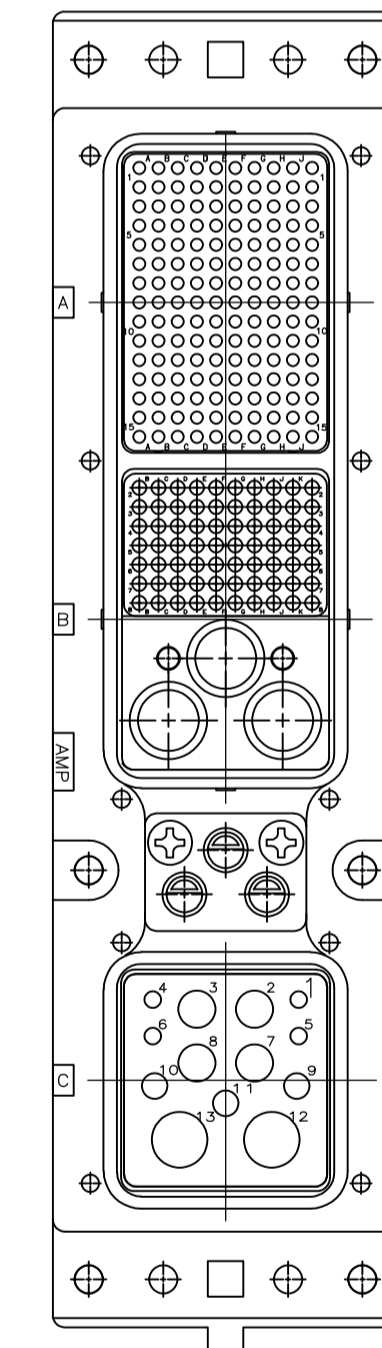
ARRANGEMENT 51  
FOR PART NUMBERS  
208972-6 & -24



ARRANGEMENT 52  
FOR PART NUMBERS  
3-208972-0 & -39



ARRANGEMENT 53  
FOR PART NUMBERS  
2-208972-5 & -26



ARRANGEMENT 54  
FOR PART NUMBERS  
2-208972-9

THIS DRAWING IS A CONTROLLED DOCUMENT.

DIMENSIONS: INCHES	TOLERANCES UNLESS OTHERWISE SPECIFIED: 0. PLC ± - 1. PLC ± - 2. PLC ± - 3. PLC ± .005 [0.13] 4. PLC ± - ANGLES ± - 90° 90°	DWG C.C. THOMAS 11-27-95 CHK R. GROSS 4-11-96 APP'D R. GROSS 4-11-96 PRODUCT SPEC APPLICATION SPEC WEIGHT A1 00779 C=208972	NAME CONNECTOR ASSY, SIZE 2 CLASS A, PLUG, ARINC-600
MATERIAL SEE CALLOUTS	FINISH	SIZE A1 00779 C=208972	RESTRICTED TO

CUSTOMER DRAWING SCALE 1:1 SHEET 2 OF 2 REV AG1

## X-ON Electronics

Largest Supplier of Electrical and Electronic Components

*Click to view similar products for [Rack & Panel Connectors](#) category:*

*Click to view products by [TE Connectivity](#) manufacturer:*

Other Similar products are found below :

[00170420102](#) [00171420202](#) [00171440002](#) [008026165000265](#) [00-8219-072-000-112P44](#) [008219072000112P5](#) [02-014-013-5200-000](#) [613467-000](#) [CTJ112E01E-513](#) [CTJ116E03A-513](#) [M81714/63-22S L/C](#) [M81714/65-12-1](#) [66020-2](#) [CW8958-000](#) [699886-000](#) [D250-50632](#)  
[70.400.3240.0](#) [70.955.2453.3](#) [733753-000](#) [F22831-000](#) [780-522-DPX34RG8-02](#) [MMA25-0341D1](#) [8660-501](#) [87.060.0053.0](#) [900709N001](#)  
[QRP4-12P-C\(01\)](#) [QR/P6-6S-C\(01\)](#) [AC-600003-004](#) [1218600-1](#) [D-659-0061](#) [DMC-MD 24 C-T](#) [1-445717-6](#) [1484398-2](#) [1484399-2](#) [1484469-2](#) [MR-34MG](#) [1484225-1](#) [1484398-1](#) [1604997-2](#) [1663130-1](#) [1663767-7](#) [1663767-8](#) [MTC100-BF1-P31CS015](#) [MTC100-KT2-0083](#) [MTC100-KT2-0123-003](#) [MTC100-YA1-005](#) [MTCB1X-105-XXX](#) [MTCPQKT1P2PGDC](#) [MTCPQKT1R2PGCA](#) [MTCR-103-04S](#)