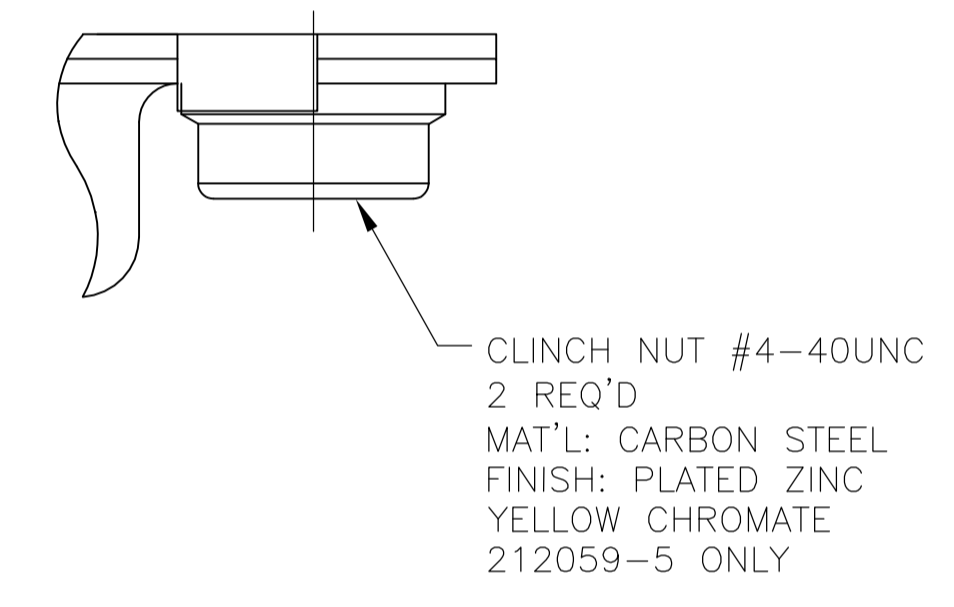
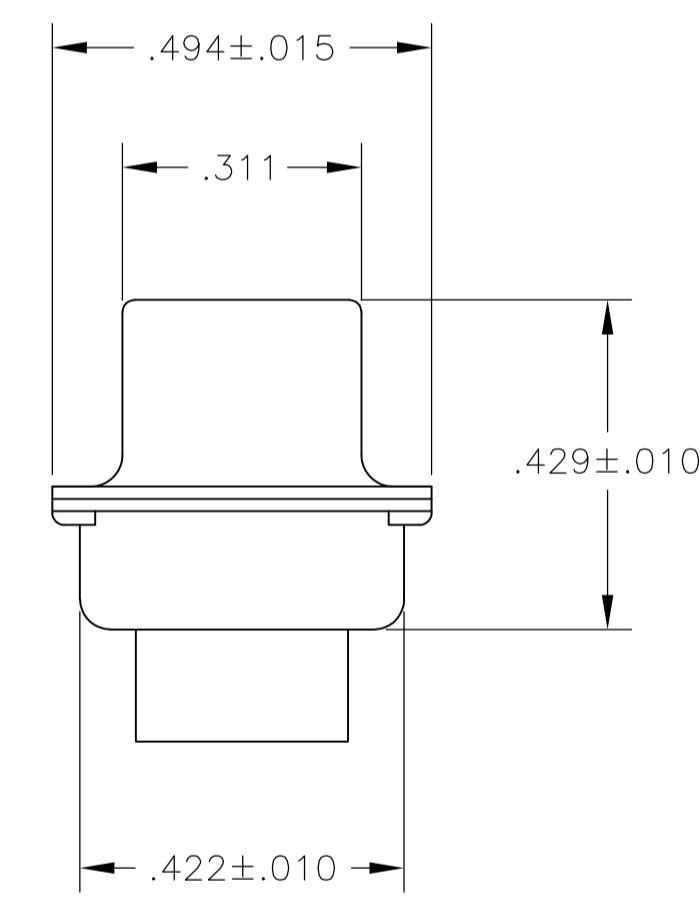
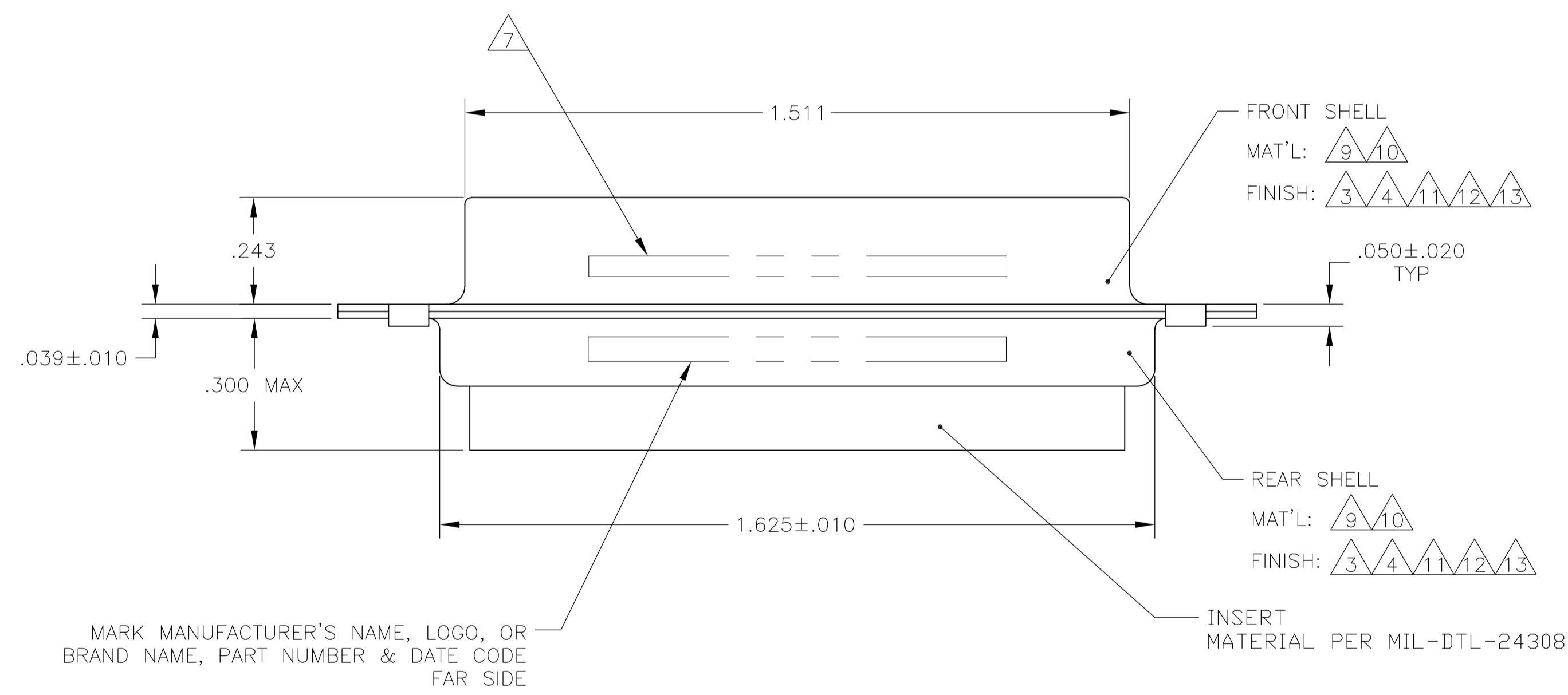
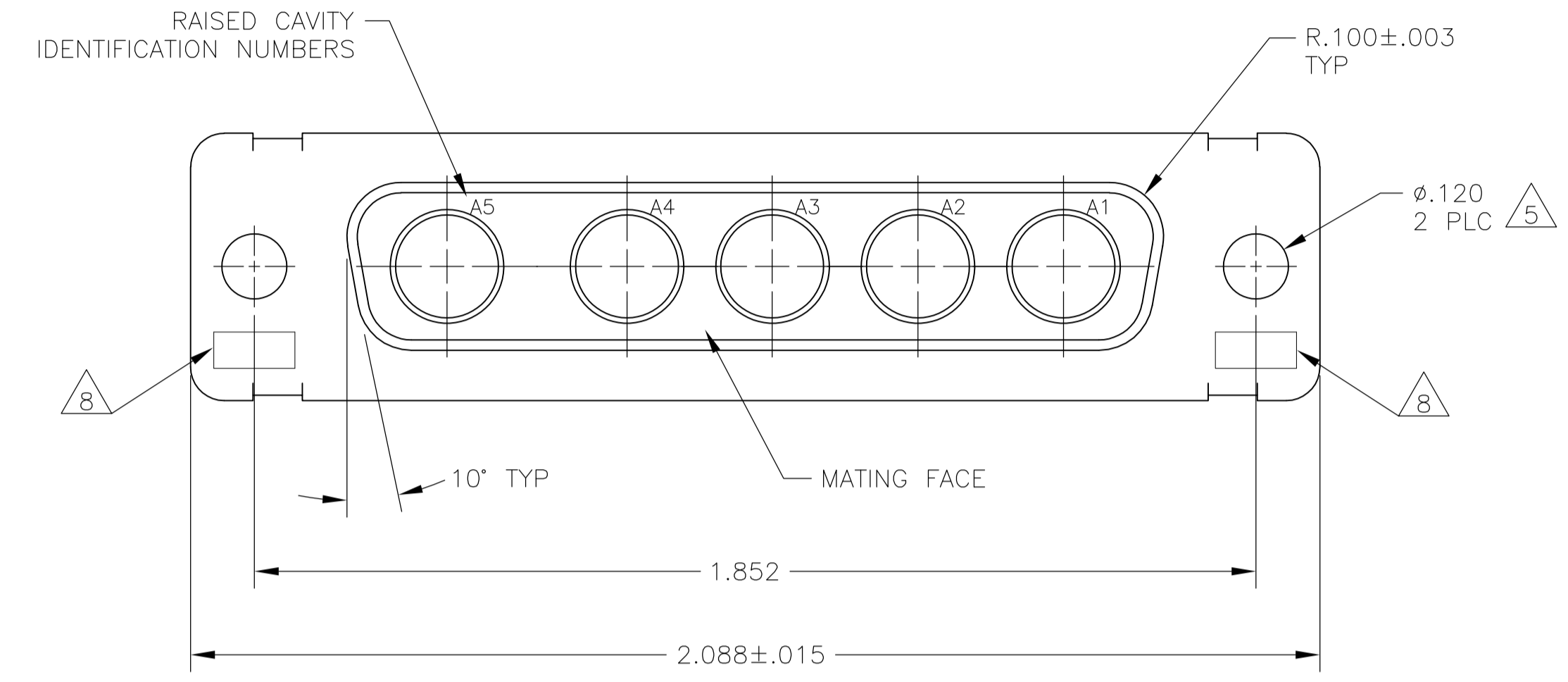


| LOC | | DIST | | REVISIONS | | | |
|-----|-----------------------|-------------|---------|-----------|------|--|--|
| P | LTR | DESCRIPTION | DATE | DNW | APVD | | |
| AK | REV PER ECO-15-016251 | | 13NOV15 | KG | CD | | |

1. THIS RECEPTACLE WILL MATE WITH ANY 5C5, SIZE 3 PLUG IN AMPLIMITE SERIES.
2. USE (5) POWER 8, OR COAX SOCKET CONTACTS. CONSULT PRODUCT ENGINEERING FOR MORE DETAILS.
3. CADMIUM PER QQ-P-416.
4. FINISH: TIN PER ASTM-B-545 .000200 MIN THK OVER COPPER PER AMS2418 .000100-.000200 THK.
5. ALL EXCEPT FOR 212059-5 AND 212059-6.
6. 4-40 UNC-3B CLINCH NUT, 2 REQ'D.
7. CUSTOMER PART NO. INK STAMPED FAR SIDE.
8. UL/CSA DESIGNATION STAMPED IN THIS AREA, OPTIONAL.
9. STEEL PER ASTM-A-109.
10. BRASS PER ASTM-B-36.
11. GOLD PLATED PER MIL-G-45204 OVER COPPER PER AMS2418.
12. FINISH: TIN PER ASTM-B-545 .000400 MIN THK OVER COPPER PER AMS2418 .000050 MIN THK.
13. ZINC PLATE PER ASTM-B-633, .000200-.000400 THK WITH SUPPLEMENTARY CHROMATE (Cr3+)



| CUSTOMER PART NO | REMARKS | PART NO. |
|------------------|----------|------------|
| - | 5 6 9 12 | 5-212059-5 |
| - | 9 13 | 5-212059-1 |
| B010942-0008 | 7 10 11 | 1-212059-3 |
| B010942-0007 | 7 10 11 | 1-212059-1 |
| - | 9 12 | 1-212059-0 |
| - | 9 12 | 212059-9 |
| - | - | 212059-8 |
| B010942-0016 | 7 10 11 | 212059-7 |
| 311P405-10S-B-15 | 7 10 11 | 212059-6 |
| - | 4 5 6 9 | 212059-5 |
| 97942-645A935H01 | 3 7 9 | 212059-4 |
| - | 4 9 | 212059-3 |
| 311P405-10S-B-12 | 7 10 11 | 212059-2 |
| - | 3 9 | 212059-1 |
| CUSTOMER PART NO | REMARKS | PART NO. |

THIS DRAWING IS A CONTROLLED DOCUMENT.

| | | | | | | | |
|--------------------|--|-----------|-----------|-----------|--------------|-----------|------------------|
| DIMENSIONS: INCHES | TOLERANCES UNLESS OTHERWISE SPECIFIED: | 0 PLC ± - | 1 PLC ± - | 2 PLC ± - | 3 PLC ± .005 | 4 PLC ± - | ANGLES ± # 0'30" |
|--------------------|--|-----------|-----------|-----------|--------------|-----------|------------------|

| | | |
|----------------|---------------|------------------------------------|
| APVD: A. EMADI | DATE: 26JAN88 | NAME: RECEPTACLE ASSEMBLY |
| APVD: A. EMADI | DATE: 26JAN88 | NAME: AMPLIMITE 5C5 |
| APVD: A. EMADI | DATE: 26JAN88 | NAME: SERIES 109, SIZE 3, COAX MIX |

SIZE: A1 CAGE CODE: 00779 DRAWING NO: 212059 RESTRICTED TO: -

WEIGHT: - SCALE: 4:1 SHEET: 1 OF 1 REV: AK

X-ON Electronics

Largest Supplier of Electrical and Electronic Components

Click to view similar products for [D-Sub MIL Spec Connectors](#) category:

Click to view products by [TE Connectivity](#) manufacturer:

Other Similar products are found below :

[M24308/4-13Z](#) [M8351307-B](#) [D38999/20FJ43HN](#) [D38999/24WG11PB-LC](#) [D38999/24WG41HN](#) [MDM-15PH041P](#) [MDM-21PH041P](#) [MDM-21SH003B-K139](#) [850-056-0812](#) [1218697-4](#) [DBMM25S](#) [MS27467T21F41S](#) [17D25HV](#) [1996840-1](#) [243082-15](#) [1663962-1](#) [1757682-1](#) [17D-E51218-1](#) [17SDA15S](#) [1883533-1](#) [1883886-1](#) [1883889-1](#) [192900-0377](#) [308-CP6P0441-024H](#) [M24308/2-3Z](#) [M24308/4-3Z](#) [M24308/4-4F](#) [M24308/4-4Z](#) [M24308/8-347](#) [M83513/03-E09C](#) [M83723/75W2212N L/C](#) [D38999/24FJ29PN-LC](#) [D38999/24WG11SB-LC](#) [MDM-21PH046P](#) [5-1218949-1](#) [550-031NF1R6K](#) [550E001NF1R3J0L](#) [550T001NF1R6K0L](#) [557T283NF5B08](#) [C115368-1612B](#) [C115370-1717B](#) [DC121073157](#) [443869-3](#) [443869-4](#) [443869-5](#) [550S004NF1R1B0F03](#) [550-031NF1R2E](#) [550E003M2R9J0F04](#) [550E003M3R9J0F05](#) [550E024M104R9J0](#)