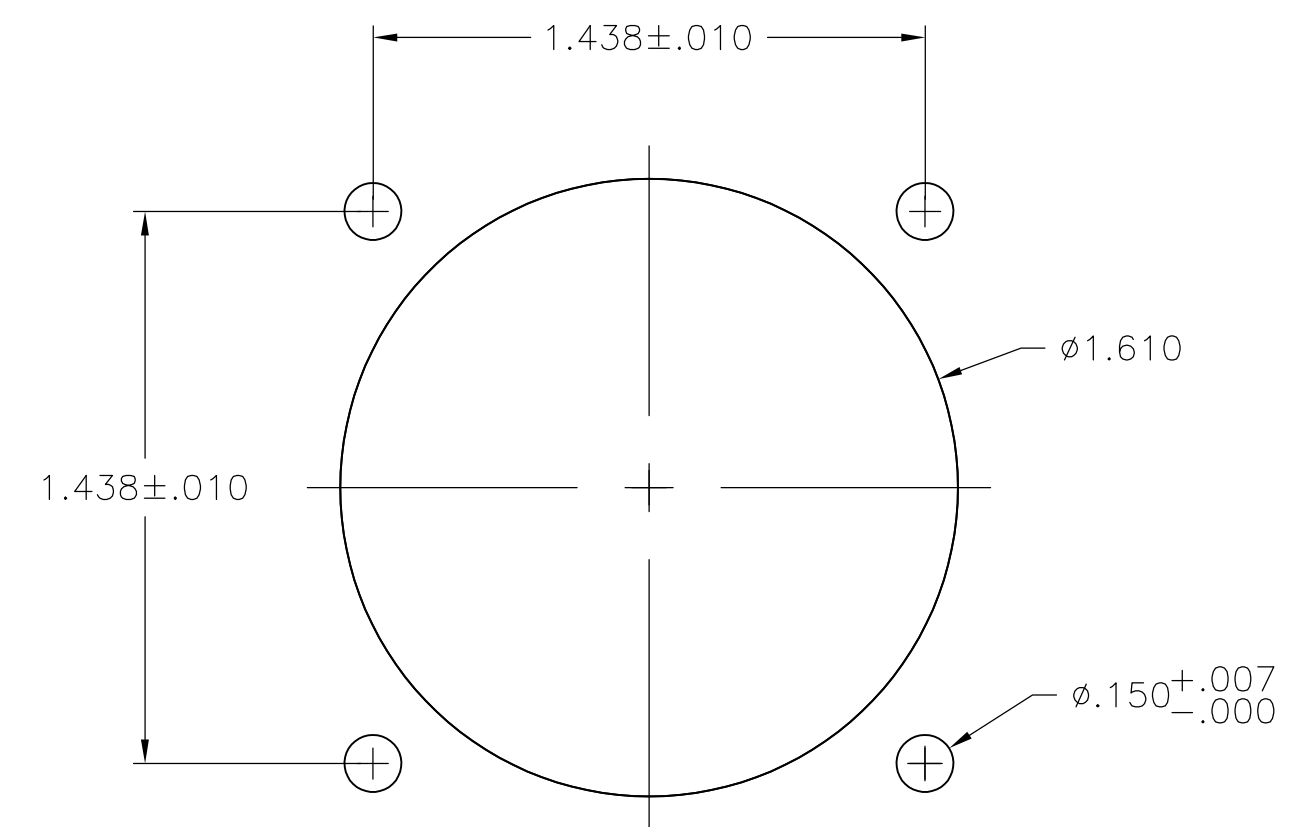
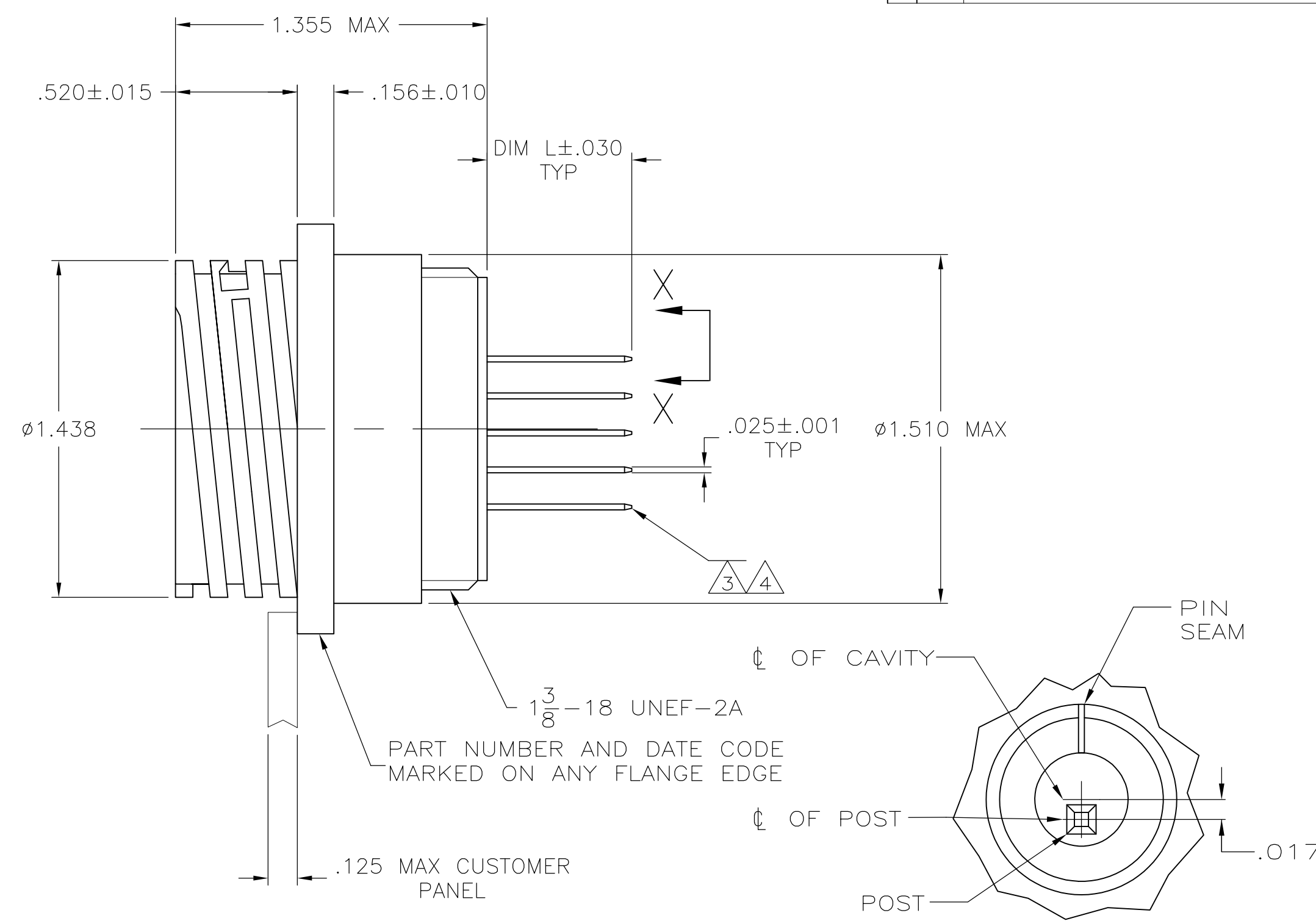
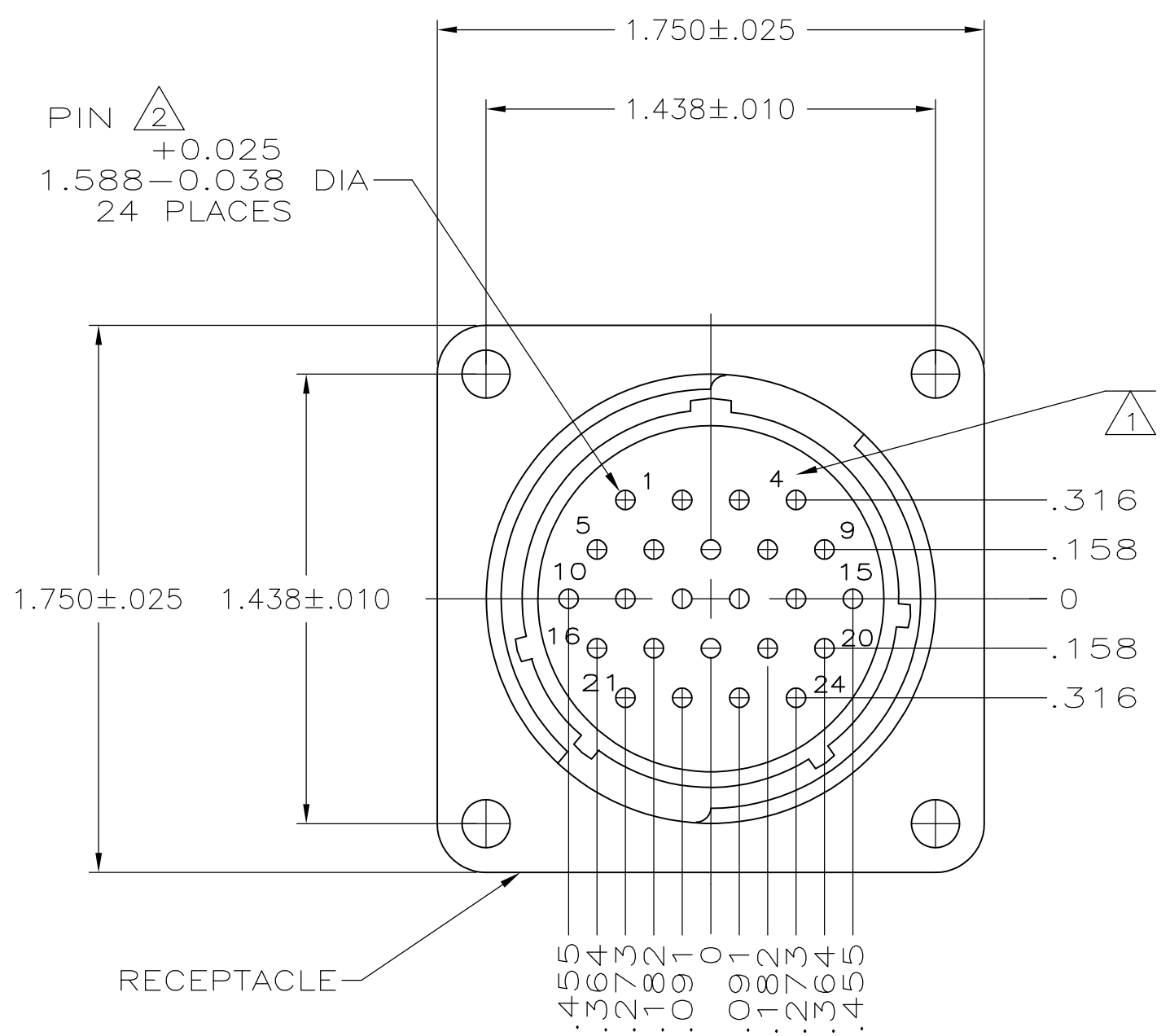


THIS DRAWING IS UNPUBLISHED. RELEASED FOR PUBLICATION
 © COPYRIGHT - By - ALL RIGHTS RESERVED.

REVISIONS		29NOV01	RH		
P	LTR	DESCRIPTION	DATE	DWN	APVD
D1		REVISED PER ECO-16-004800	08SEP2016	NK	MZ



RECOMMENDED PANEL CUTOUT

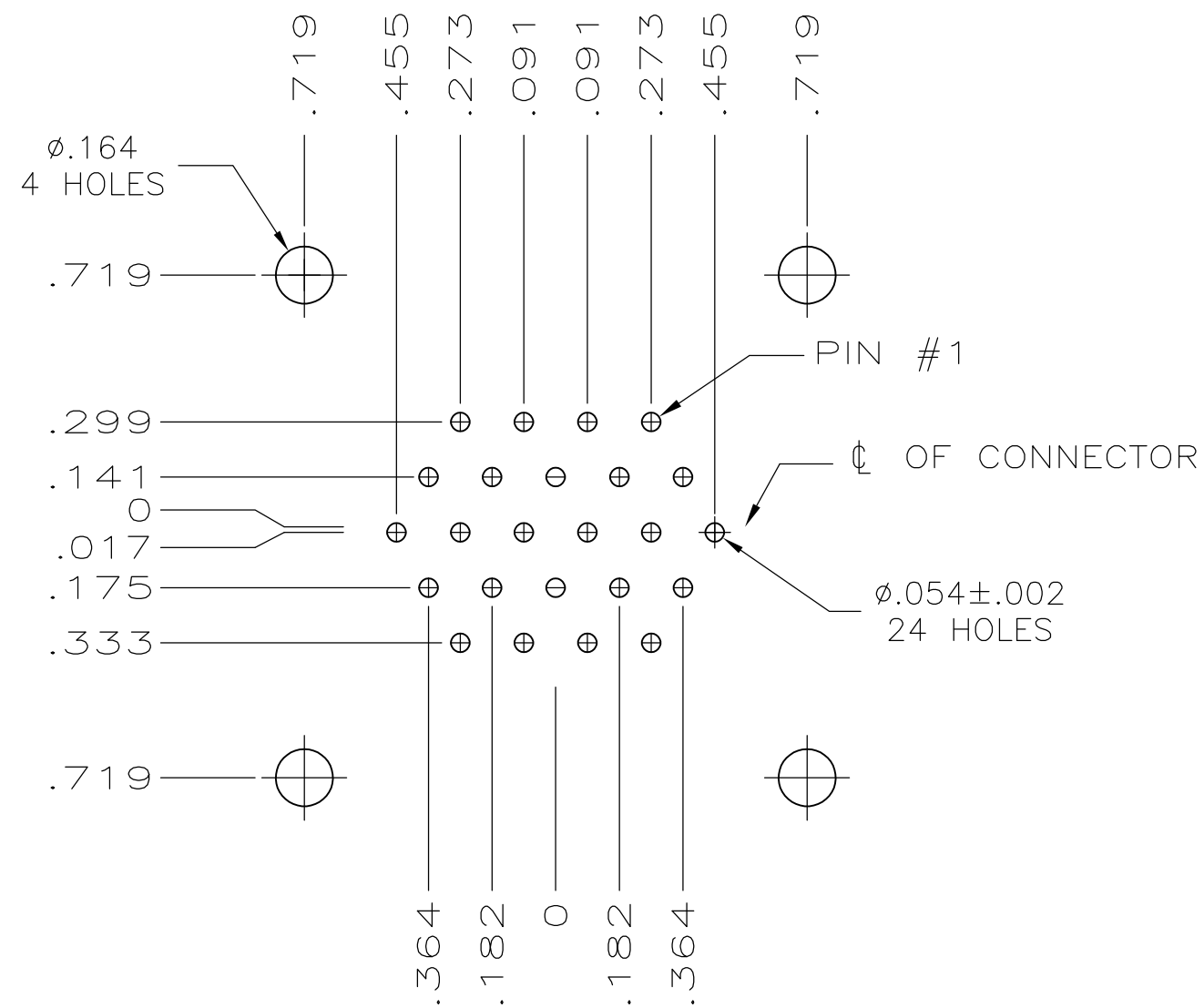
- 1 CAVITY IDENTIFICATION CHARACTERS ON FRONT AND REAR FACE.
- 2 .000030 MIN GOLD FOR A LENGTH OF .250 MIN FROM MATING END OVER .000050 MIN NICKEL.
- 3 .000100 MIN TIN-LEAD OVER .000050 MIN NICKEL ON THIS END.
- 4 .000100 MIN TIN OVER .000050 MIN NICKEL ON THIS END.

POST FINISH	DIM L	PART NUMBER
	.618	213798-3
OBSOLETE	.244	-213798-2-
	.618	213798-1

THIS DRAWING IS A CONTROLLED DOCUMENT.		DWN D.BROCKWAY 06-30-94	STE TE Connectivity	
DIMENSIONS: INCHES		CHK R.STONE 07-06-94		
TOLERANCES UNLESS OTHERWISE SPECIFIED:		APVD -	NAME	
0 PLC ± -		PRODUCT SPEC 108-10024	RECEPTACLE ASSEMBLY, 23-24, STANDARD SEX, POSTED CONTACTS, CPC	
1 PLC ± -		APPLICATION SPEC	SIZE A2	CAGE CODE 00779
2 PLC ± .005		WEIGHT	DRAWING NO C=213798	RESTRICTED TO -
3 PLC ± -		CUSTOMER DRAWING	SCALE 2:1	SHEET 1 of 2
4 PLC ± -			REV D1	
ANGLES ± -				
FINISH				
MATERIAL PIN: BRASS RECEPTACLE: NYLON, BLACK				

THIS DRAWING IS UNPUBLISHED. RELEASED FOR PUBLICATION
 © COPYRIGHT - By - ALL RIGHTS RESERVED.

REVISIONS				
P	LTR	DESCRIPTION	DATE	APVD
-	-	SEE SHEET 1	-	-



RECOMMENDED P.C. BOARD LAYOUT

THIS DRAWING IS A CONTROLLED DOCUMENT.		DWN D.BROCKWAY 06-30-94			
DIMENSIONS: INCHES		CHK R.STONE 07-06-94			
		APVD -	NAME		
TOLERANCES UNLESS OTHERWISE SPECIFIED: 0 PLC ± - 1 PLC ± - 2 PLC ± .005 3 PLC ± - 4 PLC ± - ANGLES ± -		PRODUCT SPEC 108-10024	RECEPTACLE ASSEMBLY, 23-24, STANDARD SEX, POSTED CONTACTS, CPC		
MATERIAL PIN: BRASS RECEPTACLE: NYLON, BLACK		FINISH -	WEIGHT -	SIZE A2	CAGE CODE 00779
		DRAWING NO C-213798		RESTRICTED TO -	
		CUSTOMER DRAWING		SCALE 2:1	SHEET 2 OF 2
				REV D1	

X-ON Electronics

Largest Supplier of Electrical and Electronic Components

Click to view similar products for [Standard Circular Connector](#) category:

Click to view products by [TE Connectivity](#) manufacturer:

Other Similar products are found below :

[C015](#) [10F006](#) [001](#) [1](#) [5M2530B10P](#) [600259N006](#) [600273N007](#) [600432N009](#) [6280-2PG-519](#) [6280-3PG-311](#) [6280-3SG-311](#) [6280-7SG-3DC](#)
[6280-7SG-522](#) [6282-5PG-311](#) [6282-6PG-519](#) [6282-8SG-311](#) [6283-11](#) [6283-15](#) [6290](#) [6382-2PG-311](#) [6382-2PG-3DC](#) [6382-2SG-321](#) [6382-2SG-3DC](#) [6382-4SG-516](#) [67-03E20-37P](#) [681-PMG](#) [CXS3102A14S2P](#) [CXS3102A181S](#) [CXS3106A14S6S](#) [MB12P-1](#) [MB12R-6](#) [7251-2PG-300](#) [7251-2SG-300](#) [7251-4PG-300](#) [7251-4SG-300](#) [7251-5PG-300](#) [7251-5SG-300](#) [7251-6SG-300](#) [7251-7PG-300](#) [7251-8PG-300](#) [7271-6SG-300](#) [7282-3PG-300-CH3](#) [73000005663](#) [75-190216-08S](#) [75-190218-10P](#) [75-474118-10P](#) [75-474618-01S](#) [75-474620-07P](#) [799539-000](#) [MI8-SE](#) [80-190222-18P](#) [805-005-07NF11-19PC](#) [805-005-07NF15-7PA](#)