

1. USE INSTRUCTION SHEET 2299-1

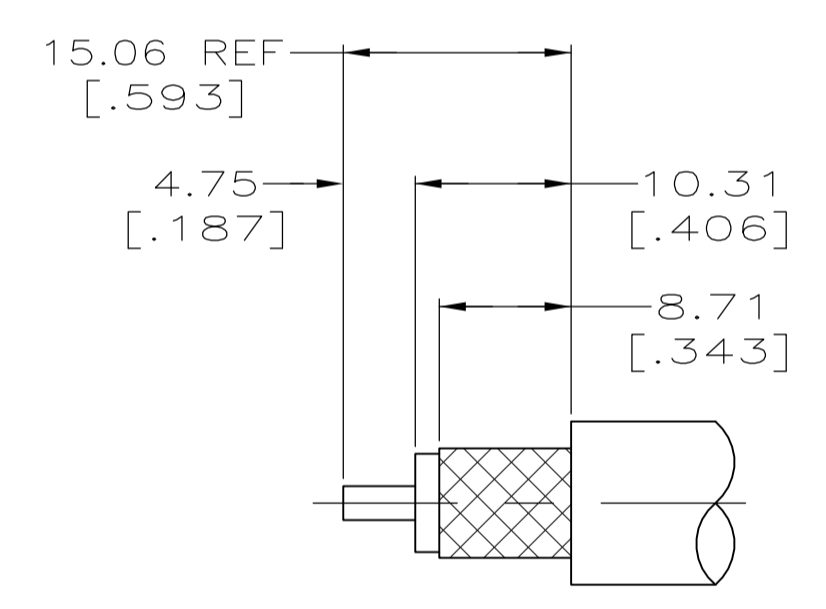
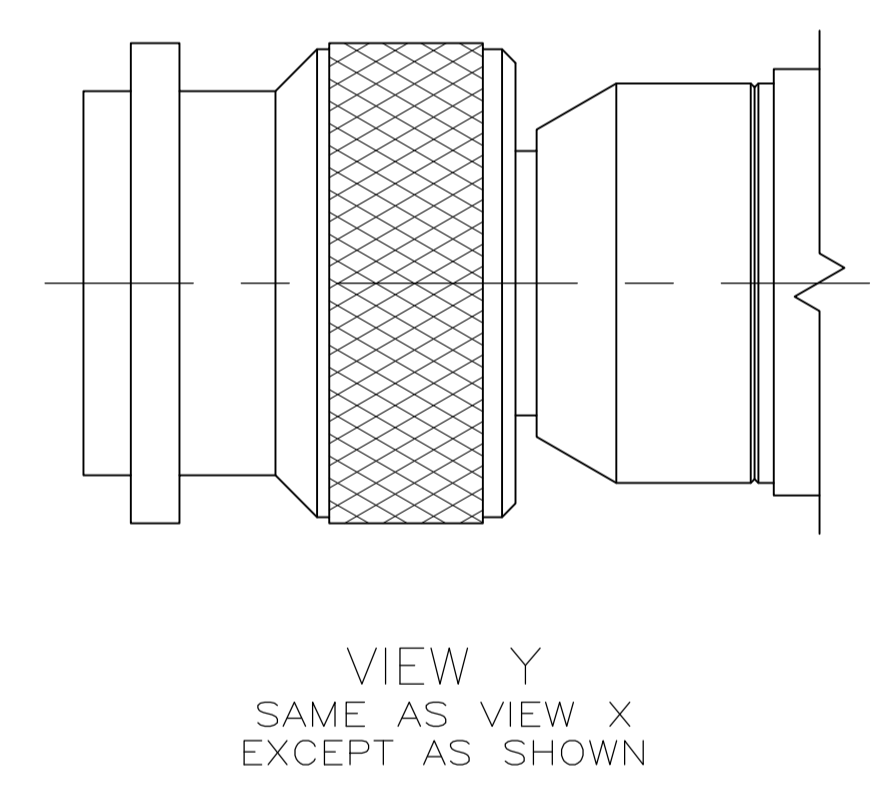


FIG 1

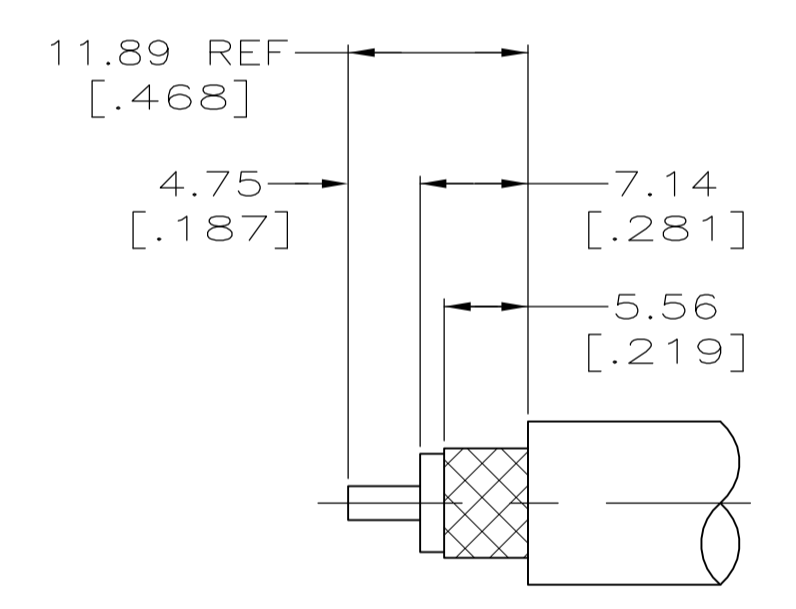


FIG 2

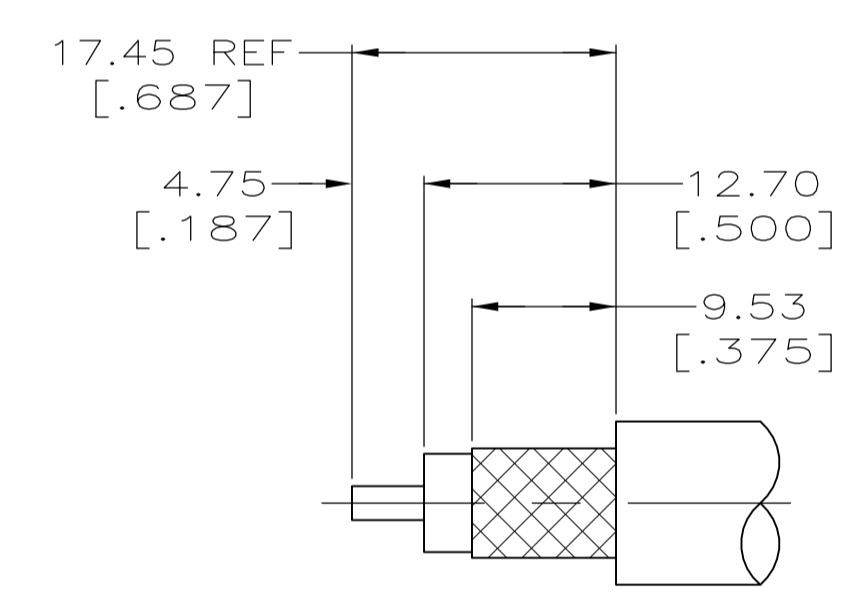


FIG 3

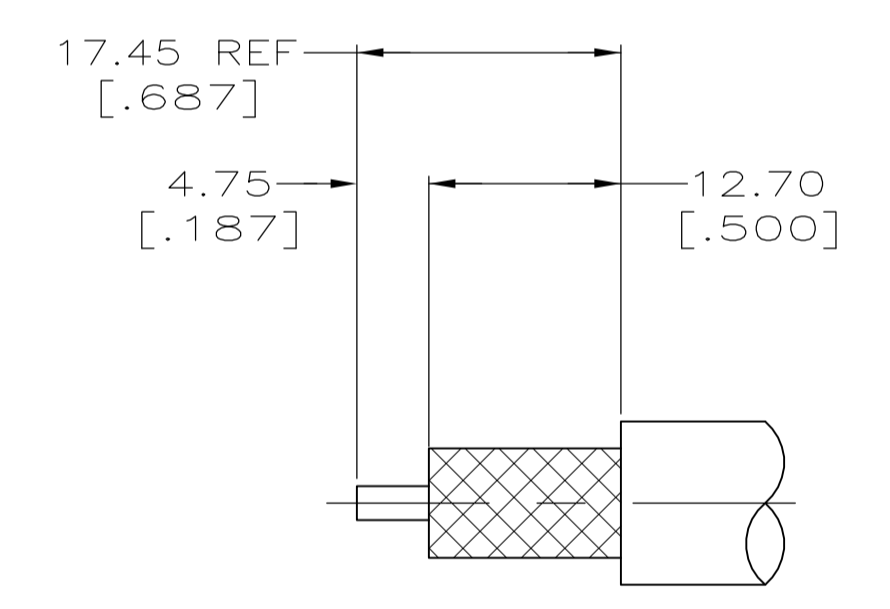


FIG 4

RECOMMENDED STRIP LENGTHS
SCALE 2:1

	5-225345-6 AMP	RG-142/U,142A/U,142B/U,400/U	220045-2	1	34.11 [1.343]	9-225382-1	1-225467-3	1663000-7	X	5-225345-6
	OBSOLETE 1-225345-7 AMP	RG-142A/U, 400/U	220045-2	1	34.11 [1.343]	225382-2	1-225467-3	3-225457-2	X	1-225345-7
SUPERSEDED BY 1-225550-2	1-225345-2 AMP	RG-225/U	220015-1	4	46.81 [1.843]	51713-2	225526-2	225593-2	Y	1-225345-2
	OBSOLETE 225345-8 AMP	RG-9/U,RG-9A/U,RG-214/U	220015-1	4	46.81 [1.843]	9-51713-4	225596-2	225593-2	Y	225345-8
SUPERSEDED BY 225550-7	225345-7 AMP	RG-8/U,RG-8A/U,RG-213/U	220015-1	3	46.81 [1.843]	51713-2	225596-2	225593-2	Y	225345-7
	00779 M39012/26-B006	RG-142/U,142A/U,142B/U,400/U	220045-2	1	34.11 [1.343]	225382-2	1-225467-3	225457-1	X	225345-6
SUPERSEDED BY 225555-5	00779 M39012/26B0015	RG-141/U,RG-141A/U,RG-303/U	220045-2	1	34.11 [1.343]	225382-2	1-225467-3	225457-1	X	225345-5
	OBSOLETE									225345-4
SUPERSEDED BY 225550-3	00779 M39012/26B0007 AMP 225245-3	RG-59B/U, RG-62B/U	220045-3	2	30.15 [1.187]	50428-1	1-225467-2	225457-3	X	225345-3
SUPERSEDED BY 225550-2	00779 M39012/26B 0005	RG-58A/U, RG-58C/U	220045-2	1	34.11 [1.343]	225382-2	1-225467-1	225457-1	X	225345-2
SUPERSEDED BY 225550-1	00779 M39012/26B0016 AMP 225345-1	RG-55A/U, RG-223/U	220045-2	1	34.11 [1.343]	225382-2	1-225467-1	225457-1	X	225345-1

	STAMPING	CABLE SIZE	CRIMPING TOOL	FIG	L	③ FERRULE QTY=1	② CONTACT QTY=1	① PLUG ASSY QTY=1	VIEW	PART NUMBER
THIS DRAWING IS A CONTROLLED DOCUMENT.										
DIMENSIONS: INCHES		TOLERANCES UNLESS OTHERWISE SPECIFIED:		BIN J. LIPPERT 10-2-91		CIRK M. PHILLIPS 10-9-91		APVD M. PHILLIPS 10-9-91		
0 PLC ± -		1 PLC ± -		NAME		PRODUCT SPEC		108-12001		
2 PLC ± -		3 PLC ± .005 (0.13)		SIZE		APPLICATION SPEC		A1 00779 C=225345		
4 PLC ± -		ANGLES ± -		WEIGHT		CUSTOMER DRAWING		SCALE 4:1 SHEET 1 OF 1 REV U		

X-ON Electronics

Largest Supplier of Electrical and Electronic Components

Click to view similar products for [RF Connectors](#) / [Coaxial Connectors](#) category:

Click to view products by [TE Connectivity](#) manufacturer:

Other Similar products are found below :

[R125315120](#) [8915-1511-000](#) [89674-0827](#) [5916-1103-603](#) [0106-001-000](#) [6-0001-3](#) [6001-7071-019](#) [6002-7051-003](#) [6002-7551-202](#) [6059674-1](#) [619550-1](#) [630059-000](#) [M39012/25-0021](#) [M39012/79-3008](#) [M39030/3-01N](#) [M39030/3-03N](#) [M3933/25-36N](#) [6500-7071-046](#) [6501-1071-002](#) [M83723/72W2457N](#) [6769](#) [CX050L2AQ](#) [7002-1541-010](#) [7002-1572-002](#) [7003-1572-002](#) [7004-1512-000](#) [7009-1511-004](#) [7010-1511-000](#) [7029-1511-060](#) [7101-1541-010](#) [7101-1571-002](#) [7105-1521-002](#) [7145-1521-002](#) [7209-1511-011](#) [7210-1511-012](#) [7210-1511-015](#) [7210-1511-019](#) [7210-1511-040](#) [7225-1512-050](#) [7242-1511-000](#) [73137-5015](#) [73251-0111](#) [73251-0672](#) [73276-1501](#) [73366-0013](#) [73404-2300](#) [73413-6080](#) [73415-5721](#) [7405-1521-005](#) [7405-1521-802](#)