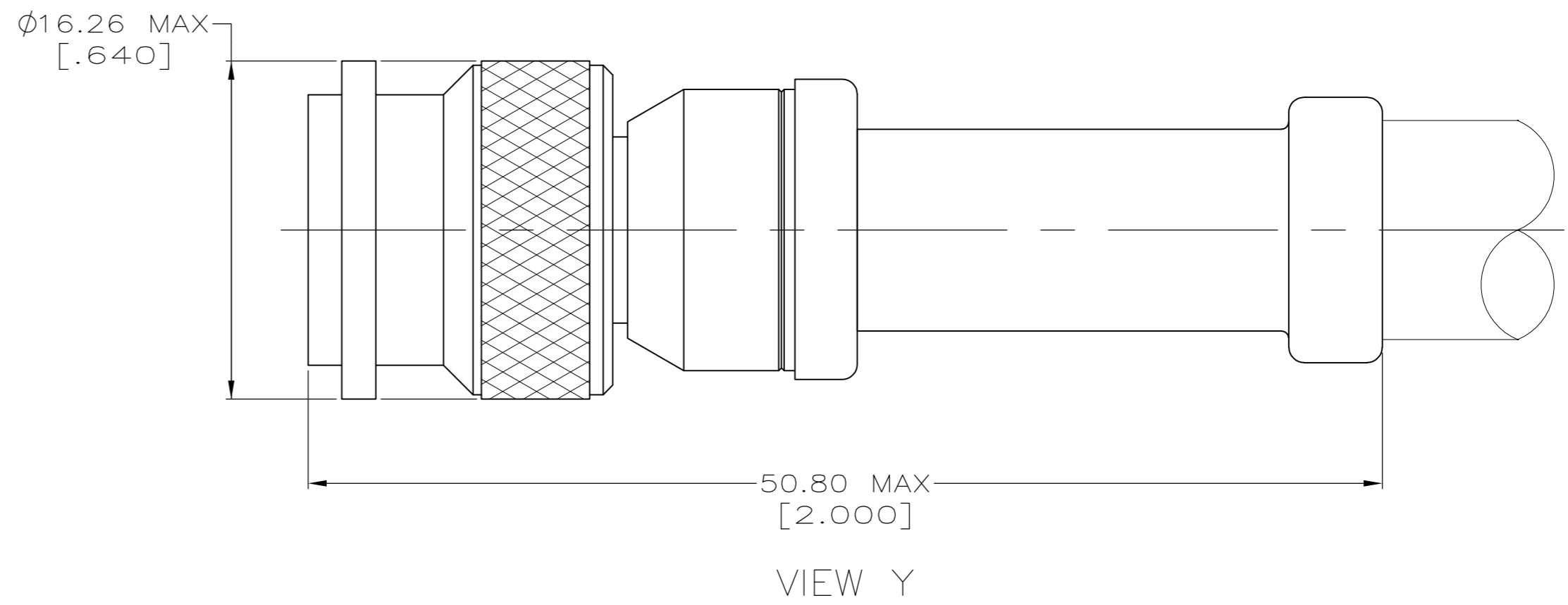
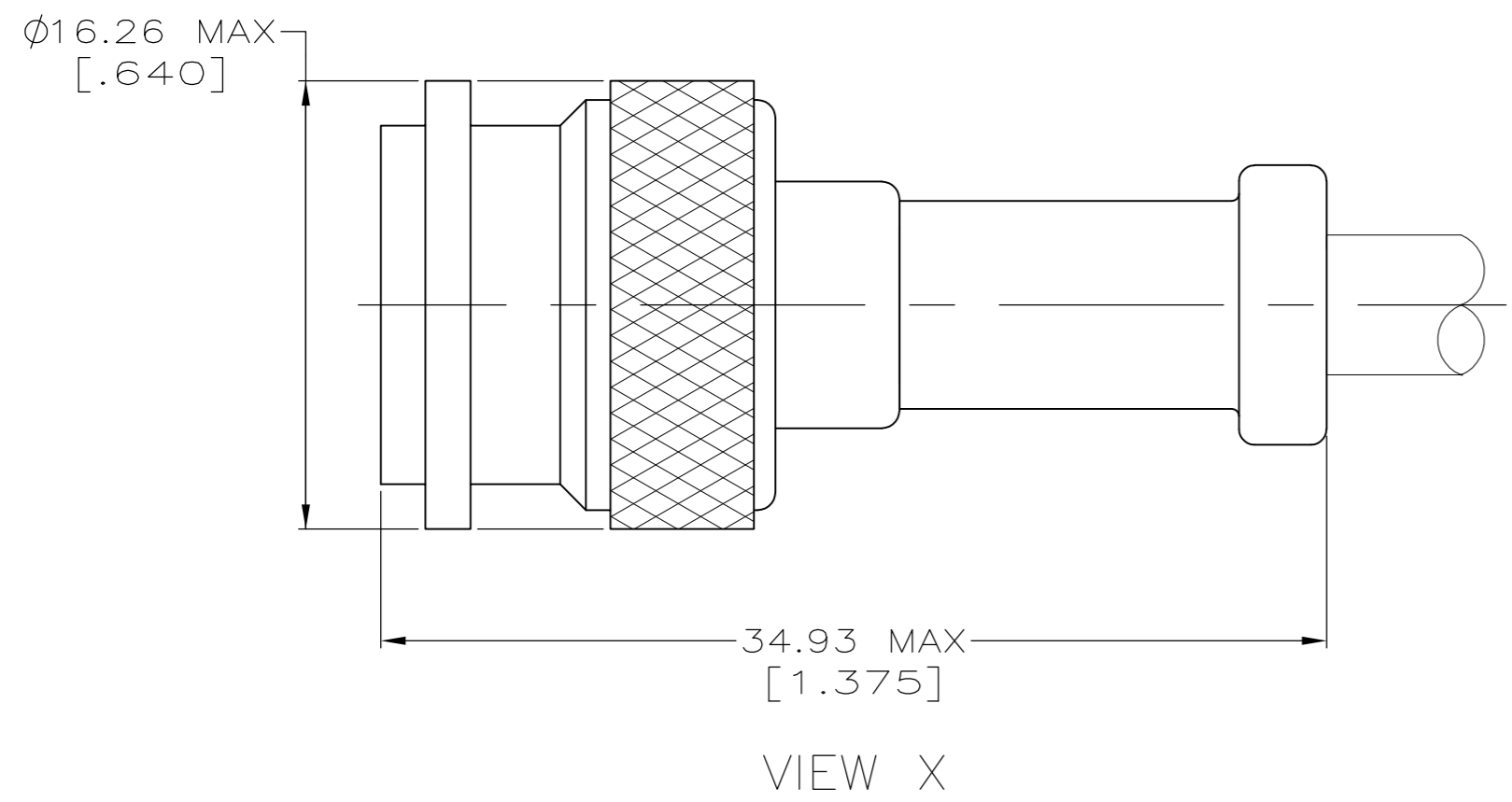
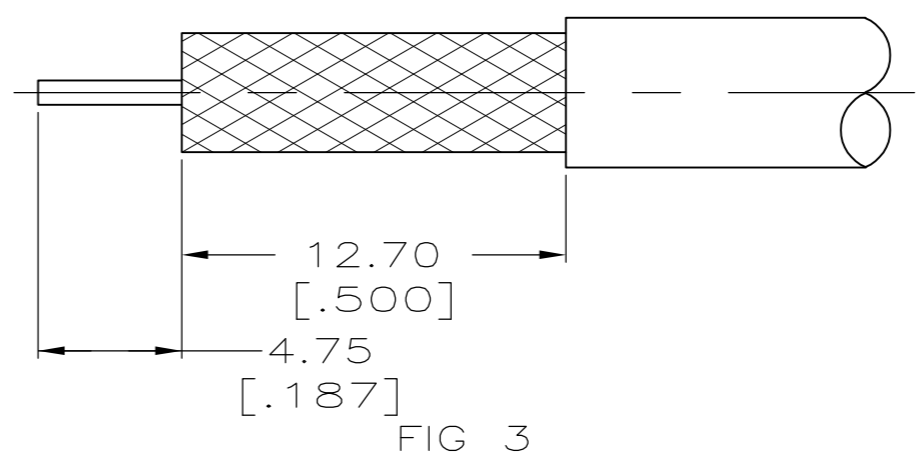
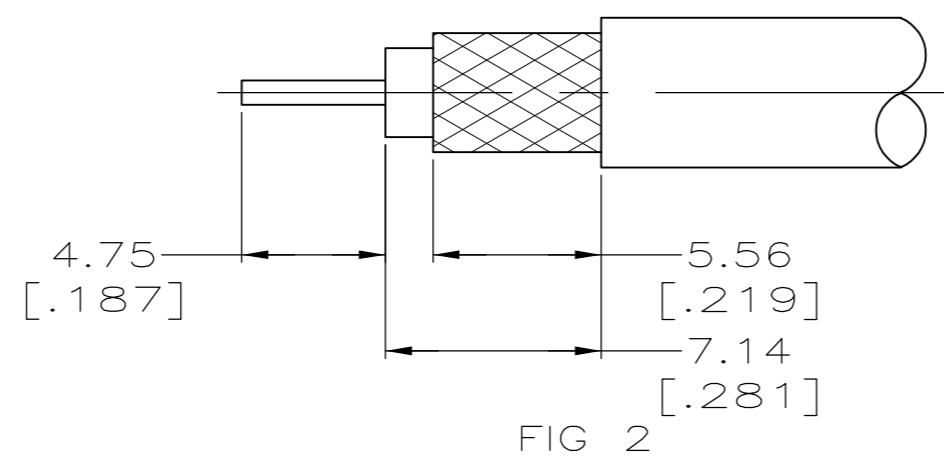
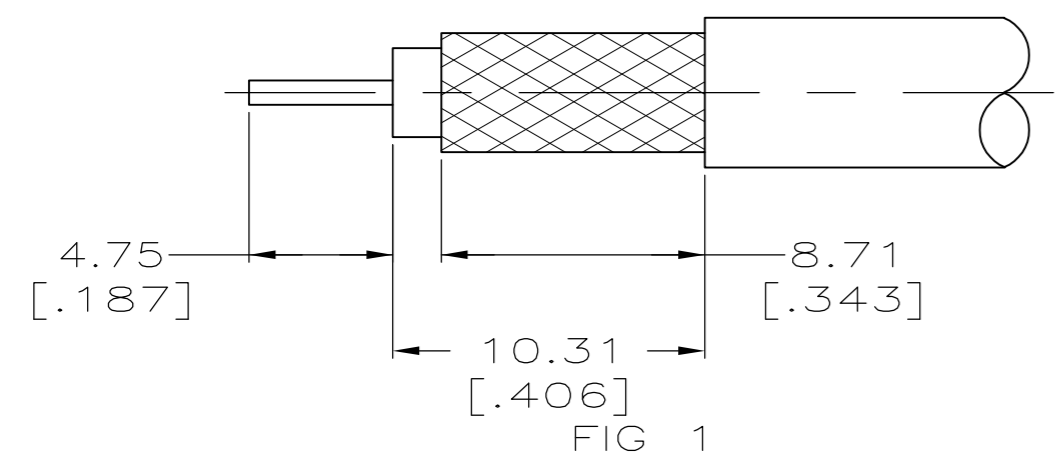


THIS DRAWING IS UNPUBLISHED. RELEASED FOR PUBLICATION
 © COPYRIGHT - By - ALL RIGHTS RESERVED.

LOC		DIST		REVISIONS			
P	LTR	DESCRIPTION		DATE	DWN	APVD	
AJ	00	H3	REVISED PER ECO-11-005030	11MAR11	RK	HMR	



1. SEE I.S. 2299-1



RECOMMENDED STRIP LENGTH

OBSOLETE	RG-8/U, 8A/U, 213/U	3	220015-1	332022	9-331987-0	225596-2	5-225593-0	Y	9-225555-0
OBSOLETE	RG-115A/U	3	220015-1	332022	9-331987-0	225596-2	5-225593-1	Y	225555-9
OBSOLETE	RG-9/U, 9A/U, 9B/U, 214/U	3	220015-1	332022	9-331987-1	225596-2	5-225593-0	Y	225555-8
	RG-8/U, 8A/U, 213/U	3	220015-1	332022	9-331987-0	225596-2	5-225593-0	Y	225555-7
	RG-142/U, 142A/U, 142B/U	1	220045-2	225592-2	9-225560-0	225467-6	225457-2	X	225555-6
OBSOLETE	RG-141/U, 141A/U	1	220045-2	225592-1	9-225560-1	225467-6	225457-2	X	225555-5
OBSOLETE	RG-59B/U, 62B/U	2	220045-3	225592-3	9-225560-2	225467-4	225457-4	X	225555-3
	RG-58A/U, 58C/U	1	220045-2	225592-1	9-225560-1	225467-2	225457-2	X	225555-2

FOR USE WITH CABLE	FIGURE	CRIMP TOOL	④	SEAL QTY=1	③	FERRULE QTY=1	②	CONTACT QTY=1	①	PLUG ASSEMBLY QTY=1	VIEW	PART NUMBER
--------------------	--------	------------	---	------------	---	---------------	---	---------------	---	---------------------	------	-------------

THIS DRAWING IS A CONTROLLED DOCUMENT.

DWN	M. E. COWHER	3-9-92
CHK	W. R. GRAY	3-16-92
APVD	M. PHILLIPS	3-16-92

TE Connectivity

PLUG, DUAL CRIMP, TNC

SIZE	A2	CAGE CODE	00779	DRAWING NO	C=225555	RESTRICTED TO	-
SCALE	4:1	SHEET	1 of 1	REV	H3		

CUSTOMER DRAWING

X-ON Electronics

Largest Supplier of Electrical and Electronic Components

Click to view similar products for [RF Connectors / Coaxial Connectors](#) category:

Click to view products by [TE Connectivity](#) manufacturer:

Other Similar products are found below :

[R125315120](#) [8915-1511-000](#) [89674-0827](#) [5916-1103-603](#) [0106-001-000](#) [6-0001-3](#) [6001-7071-019](#) [6002-7051-003](#) [6002-7551-202](#) [6059674-1](#) [619550-1](#) [630059-000](#) [M39012/25-0021](#) [M39012/79-3008](#) [M39030/3-01N](#) [M39030/3-03N](#) [M3933/25-36N](#) [6500-7071-046](#) [6501-1071-002](#) [M83723/72W2457N](#) [6769](#) [CX050L2AQ](#) [7002-1541-010](#) [7002-1572-002](#) [7003-1572-002](#) [7004-1512-000](#) [7009-1511-004](#) [7010-1511-000](#) [7029-1511-060](#) [7101-1541-010](#) [7101-1571-002](#) [7105-1521-002](#) [7145-1521-002](#) [7209-1511-011](#) [7210-1511-012](#) [7210-1511-015](#) [7210-1511-019](#) [7210-1511-040](#) [7225-1512-050](#) [7242-1511-000](#) [73137-5015](#) [73251-0111](#) [73251-0672](#) [73276-1501](#) [73366-0013](#) [73404-2300](#) [73413-6080](#) [73415-5721](#) [7405-1521-005](#) [7405-1521-802](#)