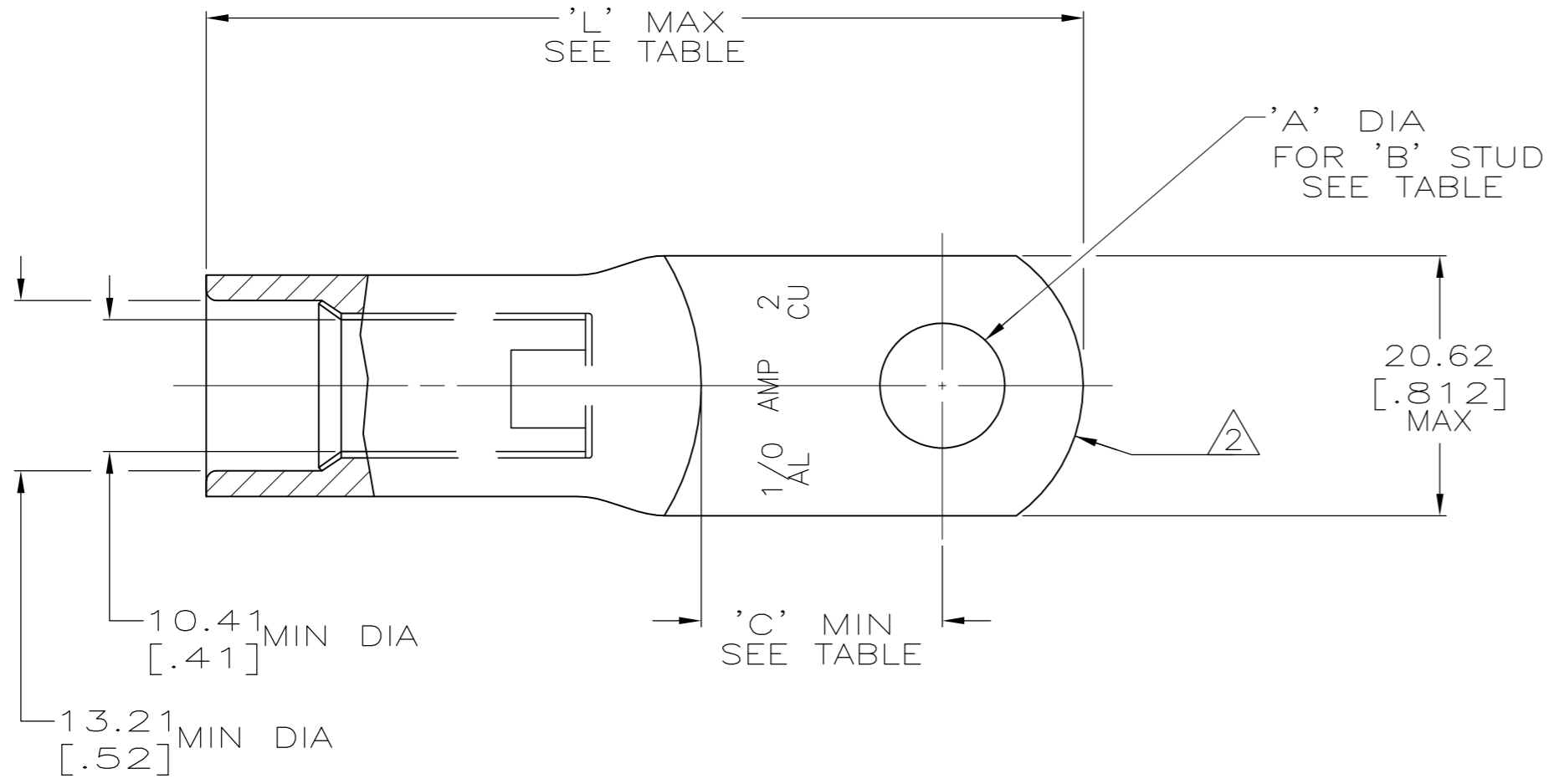
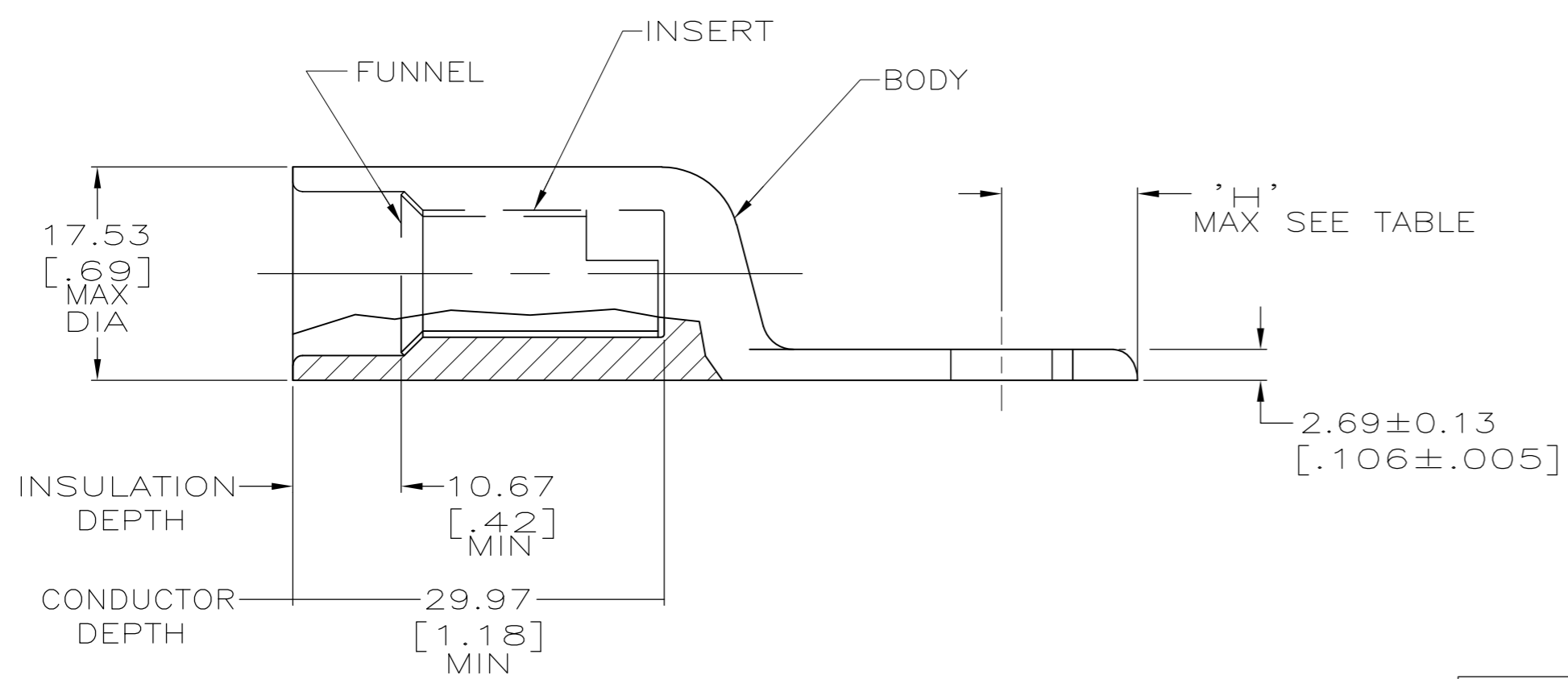


THIS DRAWING IS UNPUBLISHED. RELEASED FOR PUBLICATION
 © COPYRIGHT - By - ALL RIGHTS RESERVED.

LOC		DIST		REVISIONS			
P	LTR	DESCRIPTION		DATE	DWN	APVD	
	R	REV PER ECO-15-002995		11MAR15	KG	PD	



- 1 WIRE INSULATION: 10.79[.425] - 11.94[.470] DIA
- 2 THE TONGUE RADIUS FEATURE IS NOT A TOOLING CONTROLLED DIMENSION AND MAY NOT BE A TRUE RADIUS.



	WEIGHT	'A'	'B'	'L'	'C'	'H'	MATERIAL & FINISH	PART NO.
	-	8.33[.328]	5/16	63.75[2.51]	12.45[.49]	10.18[.401]	BODY: COPPER ASTM-B187 ANNEALED TIN PL PER MIL-T-10727 0.00381[.000150] MIN THK	277151-7
OBSOLETE	-	13.08[.515]	1/2	69.34[2.73]	16.76[.66]	11.38[.448]		277151-6
	57.0±5 GRAMS	6.73[.265]	1/4	69.34[2.73]	16.76[.66]	11.38[.448]		277151-5
OBSOLETE	-	13.08[.515]	1/2	63.75[2.51]	12.45[.49]	10.18[.401]	INSERT & FUNNEL: BRASS ASTM B36 NICKEL PL SAE AMS QQ-N-290A, DATED JULY 2000, 0.00254 [.000100] MIN THK	277151-4
	54.0±5 GRAMS	6.73[.265]	1/4	63.75[2.51]	12.45[.49]	10.18[.401]		277151-3
	56.0±5 GRAMS	9.91[.390]	3/8	69.34[2.73]	16.76[.66]	11.38[.448]		277151-2
	53.0±5 GRAMS			63.75[2.51]	12.45[.49]	10.18[.401]		277151-1

THIS DRAWING IS A CONTROLLED DOCUMENT.

DWN DK SCHRUM 6/23/89		TE Connectivity	
CHK MS FEHER 10/16/90		WIRE TERMINAL, RING TONGUE, SEALED COPALUM	
APVD AJ KAUFMAN 10/23/90		55.5mm2 [1/0] ALUMINUM	
PRODUCT SPEC 108-11011		34.3mm2 [2] COPPER	
APPLICATION SPEC 114-2134	SIZE A2	CAGE CODE 00779	DRAWING NO C-277151
MATERIAL SEE TABLE	WEIGHT SEE TABLE	SCALE 2:1	SHEET 1 of 1
FINISH SEE TABLE	CUSTOMER DRAWING	REV R	

X-ON Electronics

Largest Supplier of Electrical and Electronic Components

Click to view similar products for [Terminals](#) category:

Click to view products by [TE Connectivity](#) manufacturer:

Other Similar products are found below :

[HT-13-10](#) [71M-250-32-NB](#) [01-2065-1-0216](#) [00581P0075](#) [M10-10RX](#) [M10BCK](#) [60205-1](#) [604200-1](#) [60598-1-CUT-TAPE](#) [60617-1-C](#) [60873-1](#) [M14-516R/SK](#) [M14-6RSX](#) [M18-10FLX](#) [M18-8FBX](#) [M18-8R/LX](#) [M18BCK](#) [61314-6-C](#) [61-S](#) [61-SN-A](#) [62-NBM-A](#) [63-S](#) [640179-1](#) [640917-2-CUT-TAPE](#) [6501550002](#) [66107-2-C](#) [696683-1](#) [696834-1](#) [696861-1](#) [696931-1](#) [696999-1](#) [M8-516RK](#) [M86700006](#) [MA250DMFMX-A](#) [701-2007](#) [701-2307](#) [701-7761-03](#) [70F-110-32-PB](#) [718-N-A](#) [71M-187-20-NBL](#) [71M-250-32-NBL](#) [72F-187-20-NBL](#) [72M-250-32-NBL](#) [7310](#) [73F-250-32](#) [73F-250-32-NBL](#) [73F-250-32-NL](#) [F14-10C](#) [F-1M](#) [751-250](#)