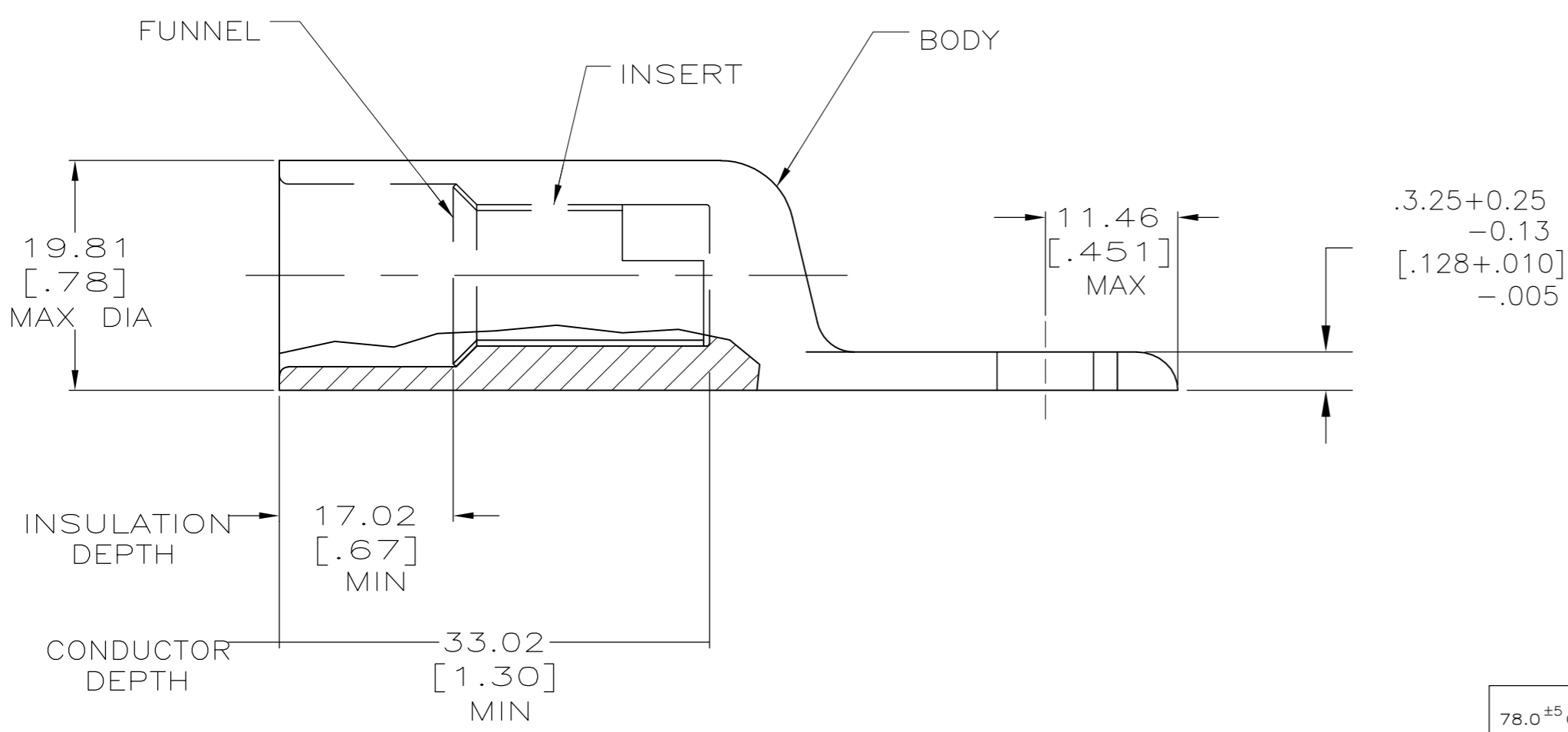
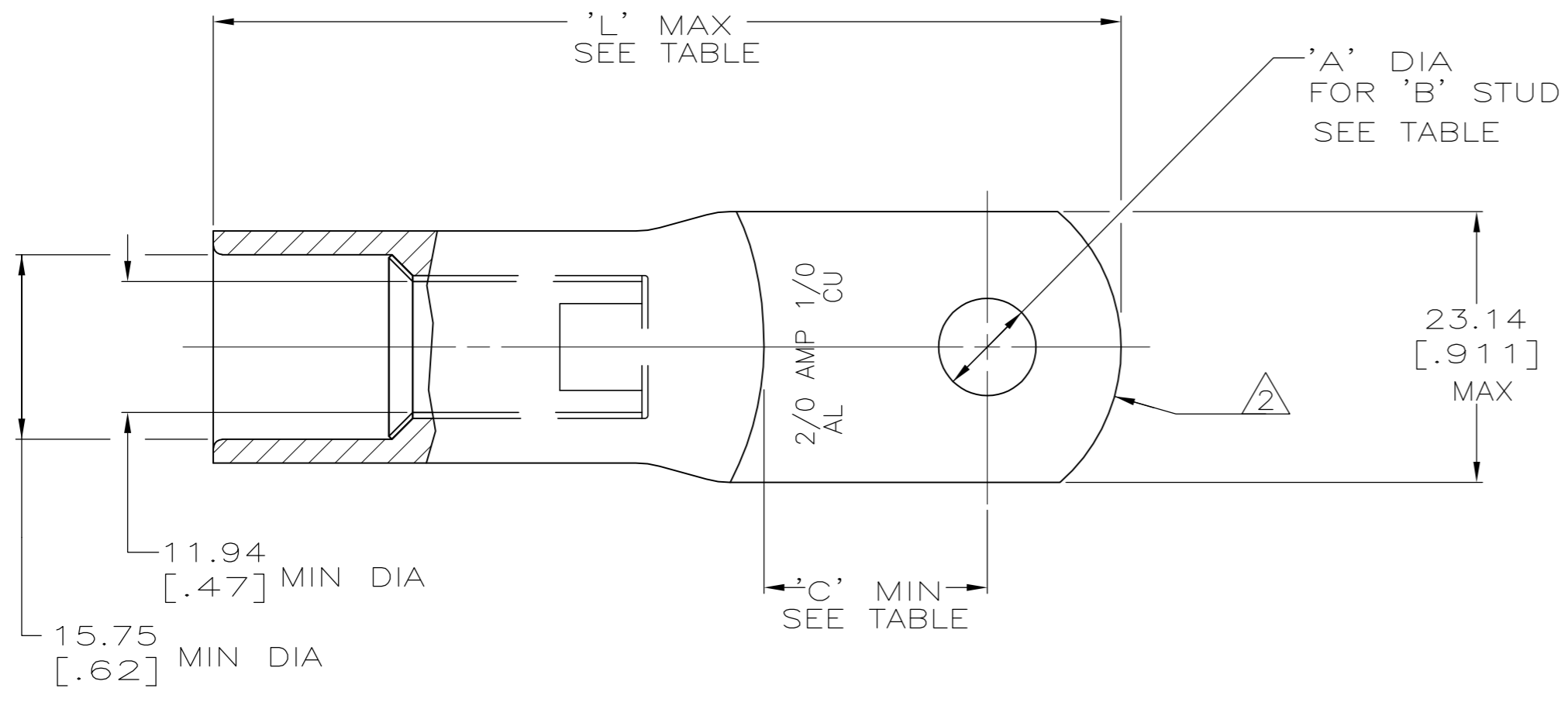


THIS DRAWING IS UNPUBLISHED. RELEASED FOR PUBLICATION  
 © COPYRIGHT - By - ALL RIGHTS RESERVED.

LOC		DIST		REVISIONS			
P	LTR	DESCRIPTION		DATE	DWN	APVD	
	L	REV PER ECO 15-002995		11MAR15	KG	PD	

- 1 WIRE INSULATION: 12.70[.500] - 13.97[.550] DIA
- 2 THE TONGUE RADIUS FEATURE IS NOT A TOOLING CONTROLLED DIMENSION AND MAY NOT BE A TRUE RADIUS.



78.0 <sup>±5</sup> GRAMS	13.08 <sup>±0.13</sup> [.515 <sup>±0.005</sup> ]	1/2	77.47 [3.05]	18.03 [.71]	BODY: COPPER ASTM-B187 ANNEALED TIN PL PER MIL-T-10727 0.00381[.000150] MIN THK INSERT & FUNNEL: BRASS ASTM B36 NICKEL PL SAE AMS QQ-N-290A, DATED JULY 2000, 0.00254 [.000100] MIN THK	277152-5	
81 <sup>±5</sup> GRAMS	9.91 <sup>±0.13</sup> [.390 <sup>±0.005</sup> ]	3/8				277152-4	
80 <sup>±5</sup> GRAMS	8.33 <sup>±0.13</sup> [.328 <sup>±0.005</sup> ]	5/16	277152-3				
76.3 <sup>±5</sup> GRAMS	9.91 <sup>±0.13</sup> [.390 <sup>±0.005</sup> ]	3/8	71.37 [2.81]	11.94 [.47]		277152-2	
-	6.73 <sup>±0.13</sup> [.265 <sup>±0.005</sup> ]	1/4				277152-1	
WEIGHT		'A'	'B'	'L'	'C'	MATERIAL & FINISH	PART NO.

THIS DRAWING IS A CONTROLLED DOCUMENT.

DWN DK SCHRUM 6/23/89	<b>TE</b> TE Connectivity
CHK MS FEHER 10/16/90	
APVD AJ KAUFMAN 10/20/90	
PRODUCT SPEC 108-11011	
APPLICATION SPEC 114-2134	NAME WIRE TERMINAL, RING TONGUE, SEALED COPALUM 71.3mm2 [2/0] ALUMINUM 53.9mm2 [1/0] COPPER
MATERIAL SEE TABLE	FINISH SEE TABLE
WEIGHT SEE TABLE	SCALE 2:1
CUSTOMER DRAWING	SHEET 1 of 1

## X-ON Electronics

Largest Supplier of Electrical and Electronic Components

*Click to view similar products for [Terminals](#) category:*

*Click to view products by [TE Connectivity](#) manufacturer:*

Other Similar products are found below :

[HT-13-10](#) [71M-250-32-NB](#) [01-2065-1-0216](#) [00581P0075](#) [M10-10RX](#) [M10BCK](#) [60205-1](#) [604200-1](#) [60598-1-CUT-TAPE](#) [60617-1-C](#) [60873-1](#) [M14-516R/SK](#) [M14-6RSX](#) [M18-10FLX](#) [M18-8FBX](#) [M18-8R/LX](#) [M18BCK](#) [61314-6-C](#) [61-S](#) [61-SN-A](#) [62-NBM-A](#) [63-S](#) [640179-1](#) [640917-2-CUT-TAPE](#) [6501550002](#) [66107-2-C](#) [696683-1](#) [696834-1](#) [696861-1](#) [696931-1](#) [696999-1](#) [M8-516RK](#) [M86700006](#) [MA250DMFMX-A](#) [701-2007](#) [701-2307](#) [701-7761-03](#) [70F-110-32-PB](#) [718-N-A](#) [71M-187-20-NBL](#) [71M-250-32-NBL](#) [72F-187-20-NBL](#) [72M-250-32-NBL](#) [7310](#) [73F-250-32](#) [73F-250-32-NBL](#) [73F-250-32-NL](#) [F14-10C](#) [F-1M](#) [751-250](#)