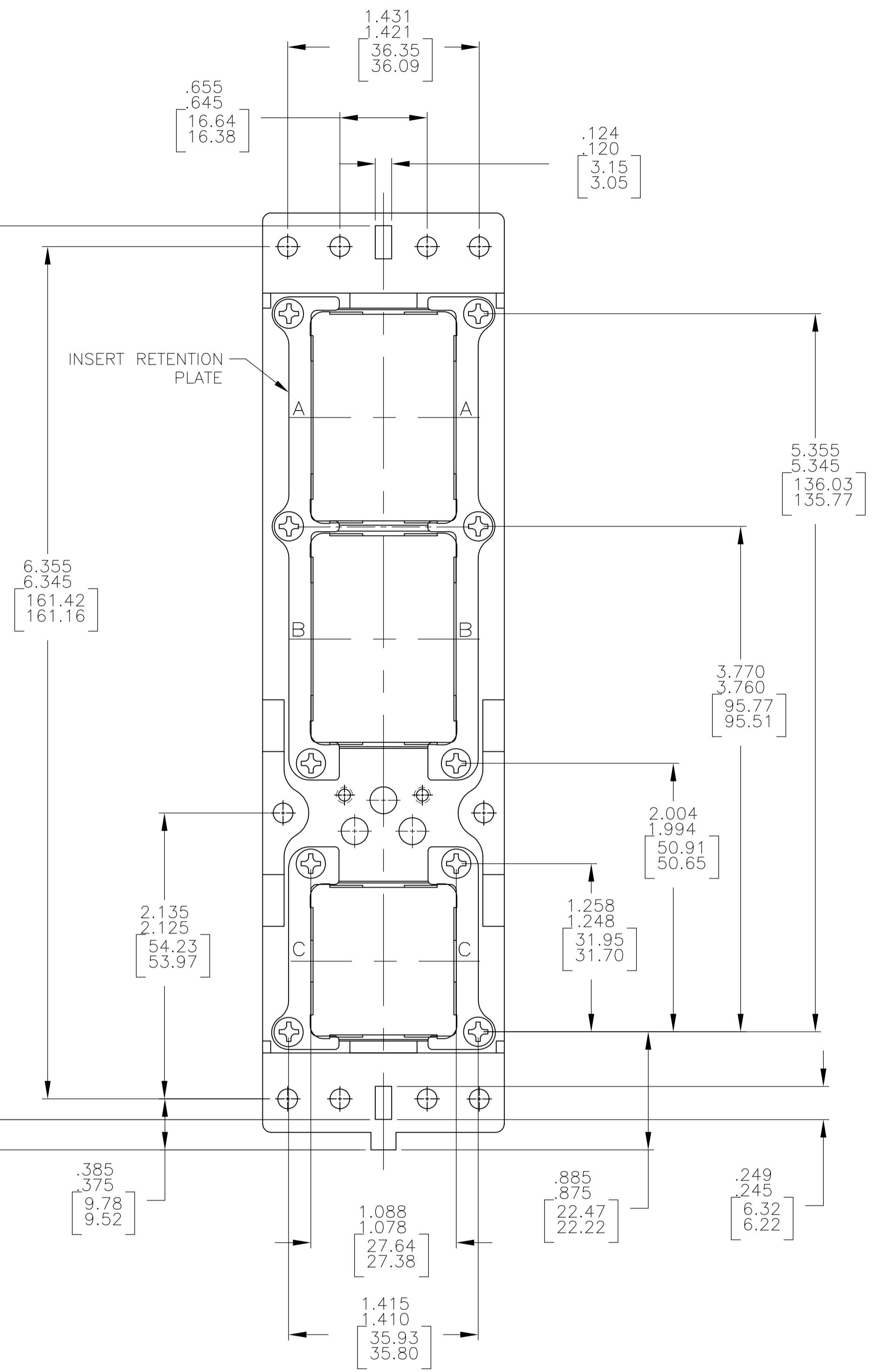
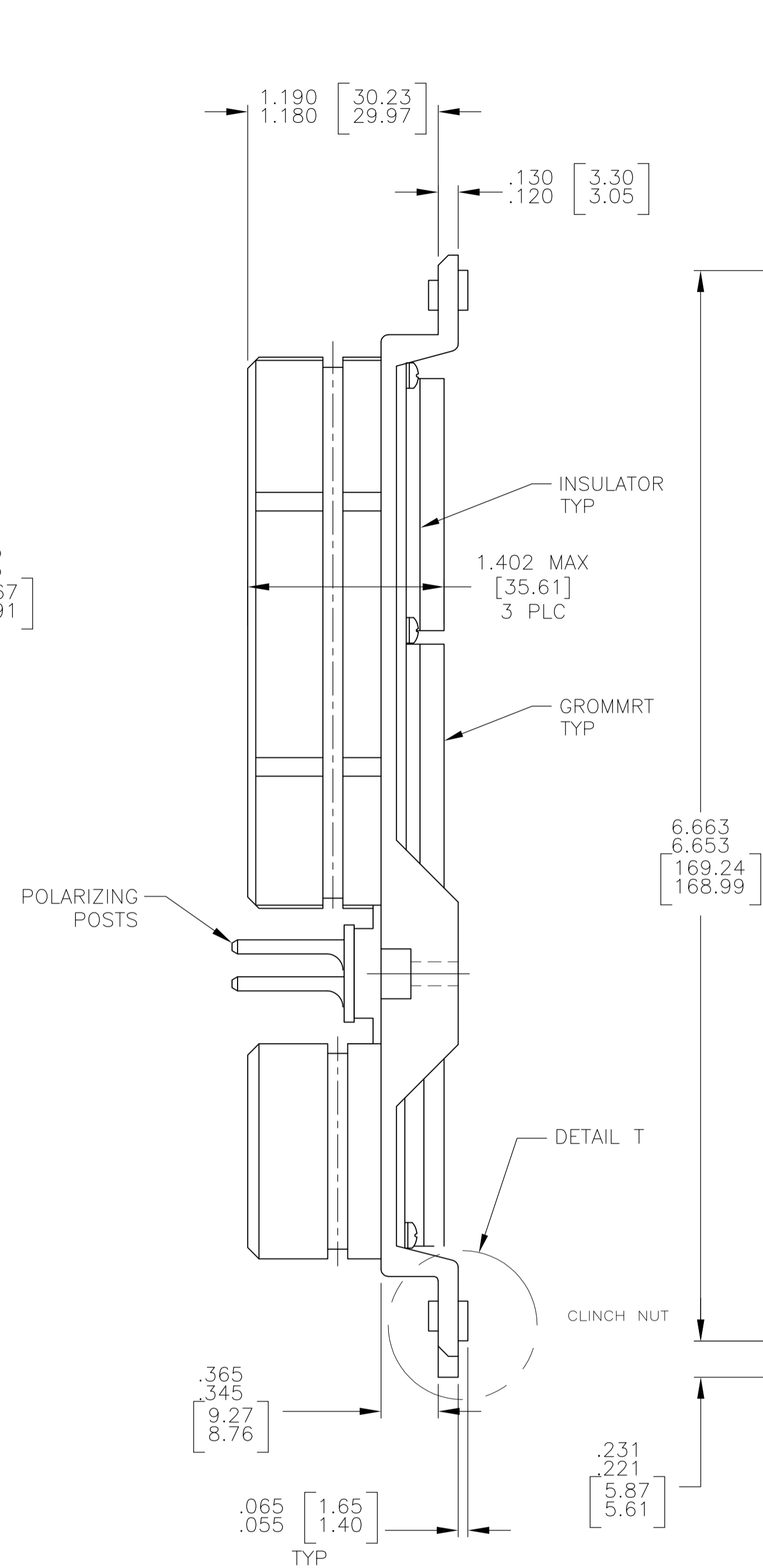
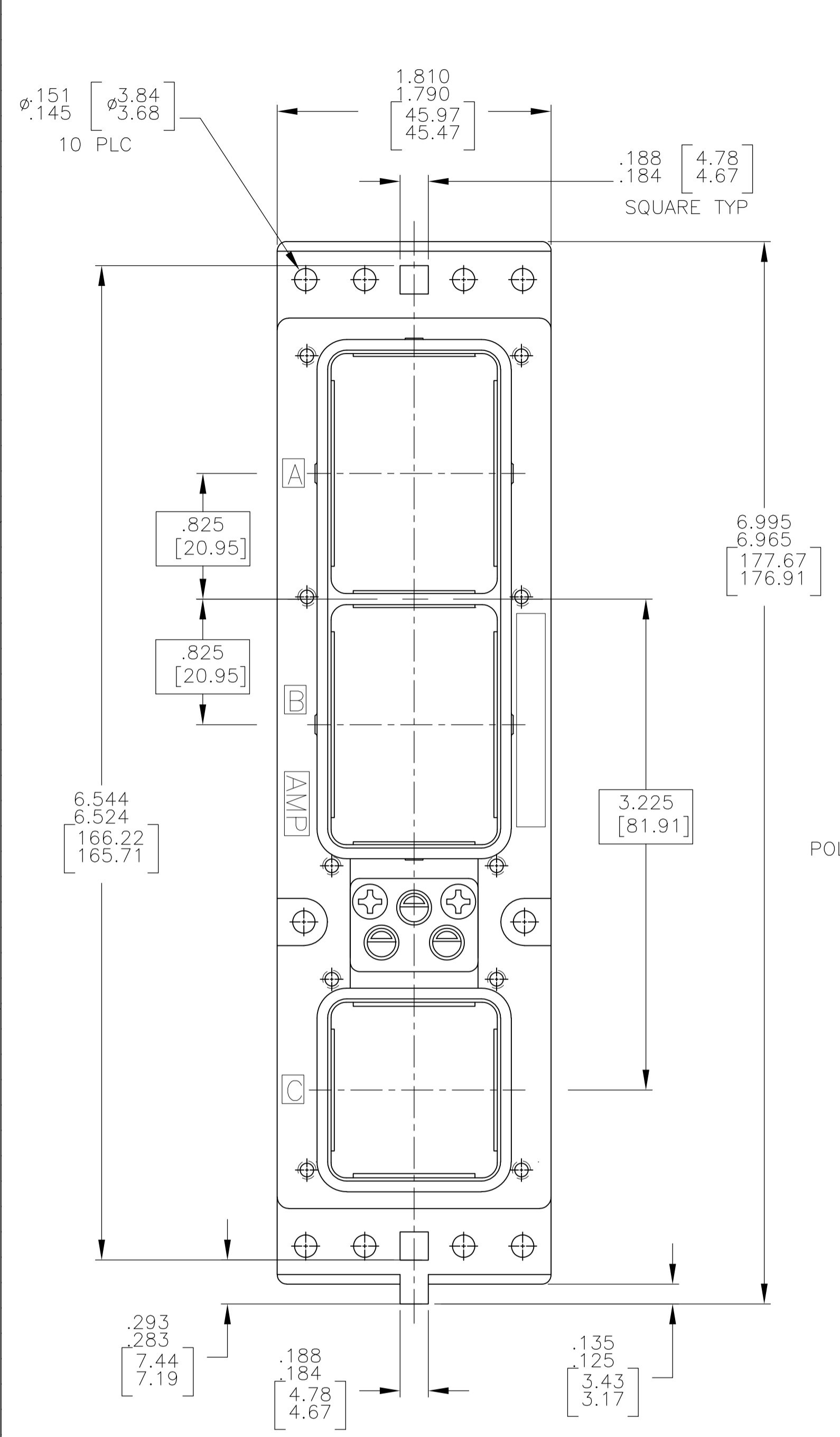
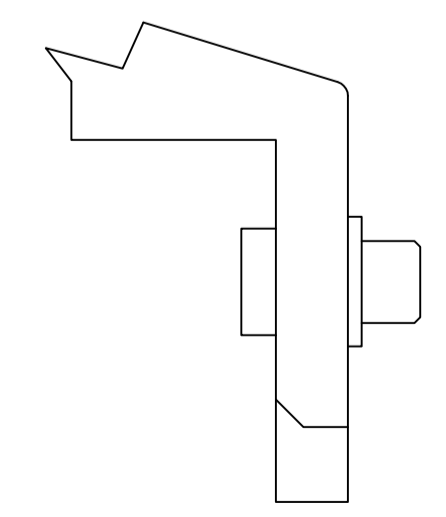


REVISIONS				
P	LTR	DESCRIPTION	DATE	APPV
AD	REV PER ECO	17-011629	8-17-17	CT RL



BACC66H21C04AA01	4-208973-1
NIC66H52B03AA0	4-208973-0
NIC66H21B40AA1	3-208973-9
NIC66H20B40AA1	3-208973-8
INSERTS:150/OPEN/OPEN,STD MTG,NO CONTACTS	3-208973-7
INSERTS:150/150/OPEN,STD MTG,NO CONTACTS	3-208973-6
NIC66H21C06CD0	3-208973-5
NIC66H21B06CD1	3-208973-4
NIC66H21C09AA0	3-208973-3
NIC66H21C09AA0	3-208973-2
NIC66H20C00AA0	3-208973-1
NIC66H21C00AA0	3-208973-0
NIC66H20B08AA0	2-208973-9
NIC66H20B03AA0	2-208973-8
-	2-208973-7
CUST RESTRICTED DWG 2-208973-6	2-208973-6
CUST RESTRICTED DWG 2-208973-5	2-208973-5
NIC66H25B01AA1 W/ SPECIAL GROMMET	2-208973-4
NIC66H23B01AA1 W/ SPECIAL GROMMET	2-208973-3
NIC66H26B01AA1	2-208973-2
NIC66H25B03AA1 W/ SPECIAL GROMMET	2-208973-1
NIC66H21C29AA0	2-208973-0
NIC66H23B05AA1 W/ SPECIAL GROMMET	1-208973-9
NIC66H25B04AA1 W/ SPECIAL GROMMET	1-208973-8
CUST RESTRICTED DWG 1-208973-7	1-208973-7
CUST RESTRICTED DWG 1-208973-6	1-208973-6
CUST RESTRICTED DWG 1-208973-5	1-208973-5
NIC66H23B08AA0	1-208973-4
NIC66H21B04AA0	1-208973-3
NIC66H21B05AA0	1-208973-2
NIC66H26B02AA1	1-208973-1
NIC66H21B01AA1	1-208973-0
ADVANCE P/N	208973-9
NIC66H25C01AA1	208973-8
NIC66H25C01AA0	208973-7
NIC66H23C01AA1	208973-6
NIC66H23B01AA0	208973-5
ADVANCE P/N	208973-4
NIC66H21C01AA0	208973-3
ADVANCE P/N	208973-2
NIC66H21B01AA0	208973-1
DESCRIPTIVE NUMBER	
PART NUMBER	

- CONNECTOR DIMENSIONS ARE PER ARINC 600 SPECIFICATION
- KEYING SHOWN IN POSITION "01" FOR REFERENCE ONLY. CONNECTOR SHIPPED WITH KEYING PER ORDERING INSTRUCTIONS. FOR POSITION "00" KEYING SHIPPED UNASSEMBLED.
- FOR SHIPMENT CONTACTS (IF ORDERED) ARE INCLUDED IN A CONTAINER WITHIN THE CONNECTOR PACKAGE. COAX CONTACTS ARE NOT SUPPLIED AND MUST BE ORDERED SEPARATELY.
- SPECIAL WITH INSERTS 150/71C1/34 STANDARD MOUNTING. ALL CONTACTS ORDERED SEPARATELY. KEYED TO POSITION 01
- PRELIMINARY PART NUMBER, NOT RELEASED FOR PRODUCTION



DETAIL T
CLINCH NUT
8 PLC
FOR -33,-34 AND -35 ONLY

COMPONENT	MATERIAL	FINISH
SHELL	DIE CAST ALUMINUM PER ASTM-B-85	CHEMICAL CONVERSION COATING PER MIL-C-5541, CLASS 1A
RETENTION PLATES	ALUMINUM ALLOY PER ASTM-B-209	CHEMICAL CONVERSION COATING PER MIL-C-5541, CLASS 1A
SCREWS AND LOCKWASHERS	STEEL OR STAINLESS STEEL	CHROMATE OVER ZINC OR PASSIVATED
POLARIZING POSTS	ZINC ALLOY PER ASTM-B-86	ELECTROLESS NICKEL PER MIL-C-26074, CLASS 4, GRADE B
INSERTS	THERMOSET	-
FILLER PLUG	TEFLON	-
POLARIZING POST RETAINING PLATE	ALUMINUM ALLOY PER ASTM-B-209	BLUE ANODIZED PER MIL-A-8625

THIS DRAWING IS A CONTROLLED DOCUMENT.

DIMENSIONS: INCHES	TOLERANCES UNLESS OTHERWISE SPECIFIED:	DIN C.C.THOMAS 7-2-91	7-16-91
0 PLC ± .005	1 PLC ± .005	2 PLC ± .005	3 PLC ± .005
4 PLC ± .005	ANGLES ± .005	APPROX GROSS 7-16-91	NAME
MATERIAL SEE TABLE	FINISH SEE TABLE	WEIGHT 0.000000	A1 00779 C=208973
CUSTOMER DRAWING		SCALE 1:1	SHEET 1 OF 1 REV AD

STE TE Connectivity
CONNECTOR ASSY, SIZE 2, CLASS B/C, PLUG/ARINC 600

X-ON Electronics

Largest Supplier of Electrical and Electronic Components

Click to view similar products for [Rack & Panel Connectors](#) category:

Click to view products by [TE Connectivity](#) manufacturer:

Other Similar products are found below :

[00170420102](#) [00171420202](#) [00171440002](#) [008026165000265](#) [00-8219-072-000-112P44](#) [008219072000112P5](#) [02-014-013-5200-000](#) [613467-000](#) [CTJ112E01E-513](#) [CTJ116E03A-513](#) [M81714/63-22S L/C](#) [M81714/65-12-1](#) [66020-2](#) [CW8958-000](#) [699886-000](#) [D250-50632](#)
[70.400.3240.0](#) [70.955.2453.3](#) [733753-000](#) [F22831-000](#) [780-522-DPX34RG8-02](#) [MMA25-0341D1](#) [8660-501](#) [87.060.0053.0](#) [900709N001](#)
[QRP4-12P-C\(01\)](#) [QR/P6-6S-C\(01\)](#) [AC-600003-004](#) [1218600-1](#) [D-659-0061](#) [DMC-MD 24 C-T](#) [1-445717-6](#) [1484398-2](#) [1484399-2](#) [1484469-2](#) [MR-34MG](#) [1484225-1](#) [1484398-1](#) [1604997-2](#) [1663130-1](#) [1663767-7](#) [1663767-8](#) [MTC100-BF1-P31CS015](#) [MTC100-KT2-0083](#) [MTC100-KT2-0123-003](#) [MTC100-YA1-005](#) [MTCB1X-105-XXX](#) [MTCPQKT1P2PGDC](#) [MTCPQKT1R2PGCA](#) [MTCR-103-04S](#)