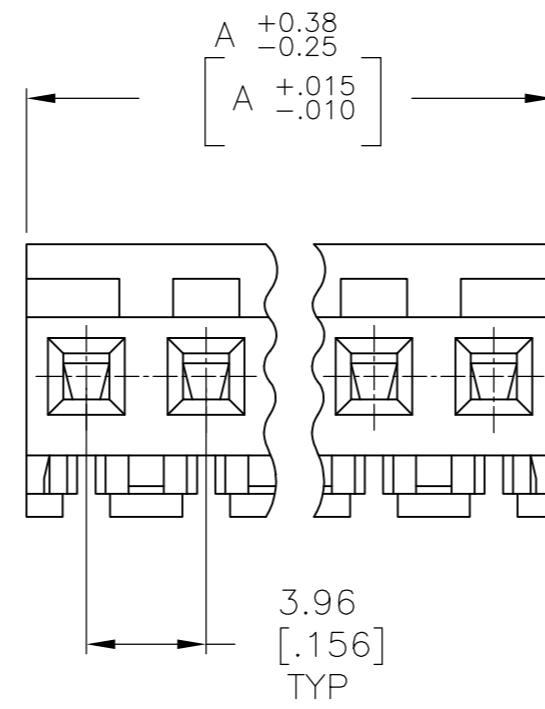
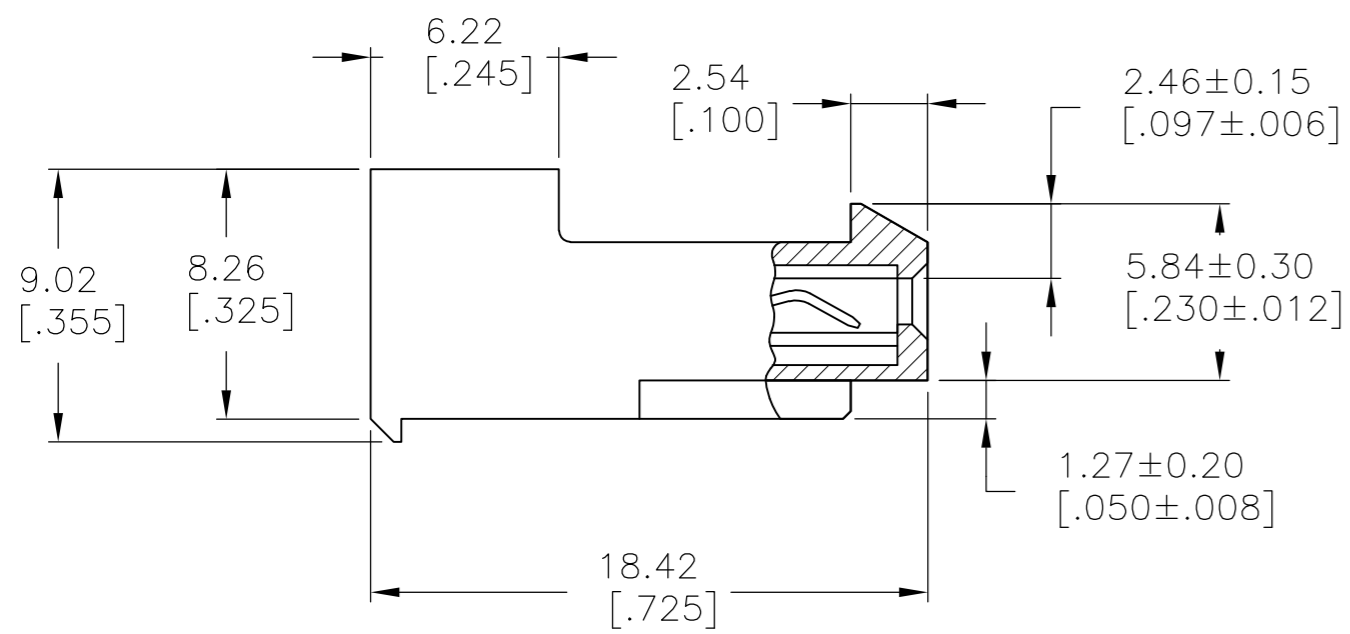
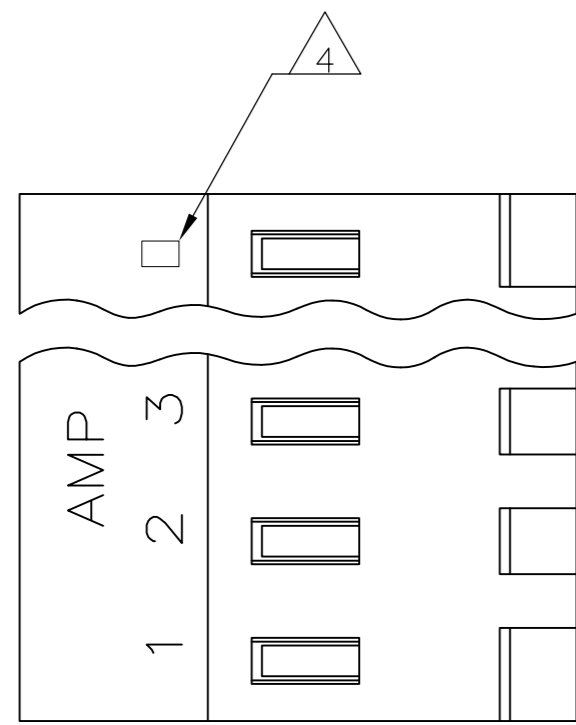


THIS DRAWING IS UNPUBLISHED. RELEASED FOR PUBLICATION
 © COPYRIGHT - By - TE CONNECTIVITY ALL RIGHTS RESERVED.

| LOC | | DIST | | REVISIONS | | | |
|-----|-----|-------------|--|---------------------------|-----------|------|----|
| P | LTR | DESCRIPTION | | DATE | DWN | APVD | |
| CM | 00 | T2 | | REVISED PER ECR-15-006687 | 26OCT2015 | NK | NL |



1 MATERIAL: CONNECTOR - NYLON UL94V-2 (YELLOW).
 CONTACTS - 0.00076[.000030] GOLD THK OR 0.00008[.000003] MIN THK
 GOLD FLASH OVER 0.00068[.000027] THK PALLADIUM NICKEL,
 PER TE CONNECTIVITY'S DISCRETION. IN CONTACT
 AREA WITH MATTE TIN FOR 641218-2
 THRU 2-641218-4, MATTE WHISKER MITIGATED
 TIN FOR 3-641218-2 THRU 5-641218-4
 OVER NICKEL UNDERPLATE.

2 CONTACTS ACCEPT 20 AWG WIRE WITH 2.41[.095] MAX
 INSULATION DIAMETER.

3 CONTACTS MUST ACCEPT 1.14±0.03 [.045±.001] SQUARE
 POST AND REMAIN LOCKED IN POSITION.

4 IDENTIFICATION NUMBER FOR LAST CIRCUIT MAY
 NOT APPEAR ON ALL ASSEMBLIES.

5 DIMENSIONS IN BRACKETS ARE IN INCHES.

6 HOUSING FEATURES ARE: CLOSED END WITH LOCKING
 RAMP.

7 OBSOLETE PARTS: OBSOLETE CIS STREAMLINING PER D.RENAUD/D.SINISI

| | | | |
|-------|---------|----|------------|
| 95.10 | [3.744] | 24 | 5-641218-4 |
| 91.14 | [3.588] | 23 | 5-641218-3 |
| 87.17 | [3.432] | 22 | 5-641218-2 |
| 83.21 | [3.276] | 21 | 5-641218-1 |
| 79.25 | [3.120] | 20 | 5-641218-0 |
| 75.29 | [2.964] | 19 | 4-641218-9 |
| 71.32 | [2.808] | 18 | 4-641218-8 |
| 67.36 | [2.652] | 17 | 4-641218-7 |
| 63.40 | [2.496] | 16 | 4-641218-6 |
| 59.44 | [2.340] | 15 | 4-641218-5 |
| 55.47 | [2.184] | 14 | 4-641218-4 |
| 51.51 | [2.028] | 13 | 4-641218-3 |
| 47.55 | [1.872] | 12 | 4-641218-2 |
| 43.59 | [1.716] | 11 | 4-641218-1 |
| 39.62 | [1.560] | 10 | 4-641218-0 |
| 35.66 | [1.404] | 9 | 3-641218-9 |
| 31.70 | [1.248] | 8 | 3-641218-8 |
| 27.74 | [1.092] | 7 | 3-641218-7 |
| 23.77 | [.936] | 6 | 3-641218-6 |
| 19.81 | [.780] | 5 | 3-641218-5 |
| 15.85 | [.624] | 4 | 3-641218-4 |
| 11.89 | [.468] | 3 | 3-641218-3 |
| 7.92 | [.312] | 2 | 3-641218-2 |

| | | | | | |
|---|--------------------------|-------|---------|----|------------|
| 7 | SUPERCEDED BY 5-641218-4 | 95.10 | [3.744] | 24 | 2-641218-4 |
| 7 | SUPERCEDED BY 5-641218-3 | 91.14 | [3.588] | 23 | 2-641218-3 |
| 7 | SUPERCEDED BY 5-641218-2 | 87.17 | [3.432] | 22 | 2-641218-2 |
| 7 | SUPERCEDED BY 5-641218-1 | 83.21 | [3.276] | 21 | 2-641218-1 |
| 7 | SUPERCEDED BY 5-641218-0 | 79.25 | [3.120] | 20 | 2-641218-0 |
| 7 | SUPERCEDED BY 4-641218-9 | 75.29 | [2.964] | 19 | 1-641218-9 |
| 7 | SUPERCEDED BY 4-641218-8 | 71.32 | [2.808] | 18 | 1-641218-8 |
| 7 | SUPERCEDED BY 4-641218-7 | 67.36 | [2.652] | 17 | 1-641218-7 |
| 7 | SUPERCEDED BY 4-641218-6 | 63.40 | [2.496] | 16 | 1-641218-6 |
| 7 | SUPERCEDED BY 4-641218-5 | 59.44 | [2.340] | 15 | 1-641218-5 |
| 7 | SUPERCEDED BY 4-641218-4 | 55.47 | [2.184] | 14 | 1-641218-4 |
| 7 | SUPERCEDED BY 4-641218-3 | 51.51 | [2.028] | 13 | 1-641218-3 |
| 7 | OBSOLETE | 47.55 | [1.872] | 12 | 1-641218-2 |
| 7 | SUPERCEDED BY 4-641218-1 | 43.59 | [1.716] | 11 | 1-641218-1 |
| 7 | OBSOLETE | 39.62 | [1.560] | 10 | 1-641218-0 |
| 7 | SUPERCEDED BY 3-641218-9 | 35.66 | [1.404] | 9 | 641218-9 |
| 7 | OBSOLETE | 31.70 | [1.248] | 8 | 641218-8 |
| 7 | SUPERCEDED BY 3-641218-7 | 27.74 | [1.092] | 7 | 641218-7 |
| 7 | OBSOLETE | 23.77 | [.936] | 6 | 641218-6 |
| 7 | SUPERCEDED BY 3-641218-5 | 19.81 | [.780] | 5 | 641218-5 |
| 7 | OBSOLETE | 15.85 | [.624] | 4 | 641218-4 |
| 7 | OBSOLETE | 11.89 | [.468] | 3 | 641218-3 |
| 7 | OBSOLETE | 7.92 | [.312] | 2 | 641218-2 |

DIM A NO OF CIRCUITS PART NO

| | | | | |
|---|------------|-------------------------------|---|--------------------|
| THIS DRAWING IS A CONTROLLED DOCUMENT. | | DWN B. LEWIS 12 FEB 91 | TE Connectivity | |
| DIMENSIONS: mm [INCHES] | | CHK R. SWING 12 FEB 91 | MTA-156 CONNECTOR ASSEMBLY, 20 AWG, STANDARD | |
| TOLERANCES UNLESS OTHERWISE SPECIFIED: | | APVD D. CLARK 20 FEB 91 | RESTRICTED TO | |
| 0 PLC ± - | 1 PLC ± - | PRODUCT SPEC 108-1051 | SIZE A2 | CAGE CODE 00779 |
| 2 PLC ± - | 3 PLC ± - | APPLICATION SPEC 114-1020 | DRAWING NO C=641218 | SCALE 4:1 |
| 4 PLC ± - | ANGLES ± - | MATERIAL 1 | WEIGHT - | SHEET 1 OF 1 |
| FINISH 1 | | CUSTOMER DRAWING | | REV T2 |

X-ON Electronics

Largest Supplier of Electrical and Electronic Components

Click to view similar products for [Headers & Wire Housings](#) category:

Click to view products by [TE Connectivity](#) manufacturer:

Other Similar products are found below :

[95000-104TRLF](#) [10135584-644402LF](#) [DF62W-EP2022PCA](#) [95000-106TRLF](#) [DF62W-2022SCA](#) [DF62W-EP2022PC](#) [2203348](#) [DF62W-2022SC](#) [1084018](#) [1029039](#) [1084017](#) [802-10-012-10-002000](#) [1112640](#) [1112639](#) [000-34000](#) [0009482033](#) [0009507031](#) [57102-S06-03LF](#) [57202-S52-04LF](#) [PCN6-15S-2.5E](#) [0039019024](#) [58102-G61-06LF](#) [582553-1](#) [0009485154](#) [0009508121](#) [0022285053](#) [0050291907](#) [018731A](#) [LY20-4P-DT1-P1E-BR](#) [02.125.8002.8](#) [60101931](#) [60598-1 \(Cut Strip\)](#) [M1625-3R/100](#) [61062-3](#) [61082-181009](#) [636-1427](#) [638009-1](#) [641938-9](#) [641991-4](#) [644168-1](#) [647662-1](#) [65039-019ELF](#) [65817-002LF](#) [65817-015LF](#) [65863-015LF](#) [66207-023LF](#) [67016-026LF](#) [67046-001LF](#) [67095-007LF](#) [67230-005LF](#)