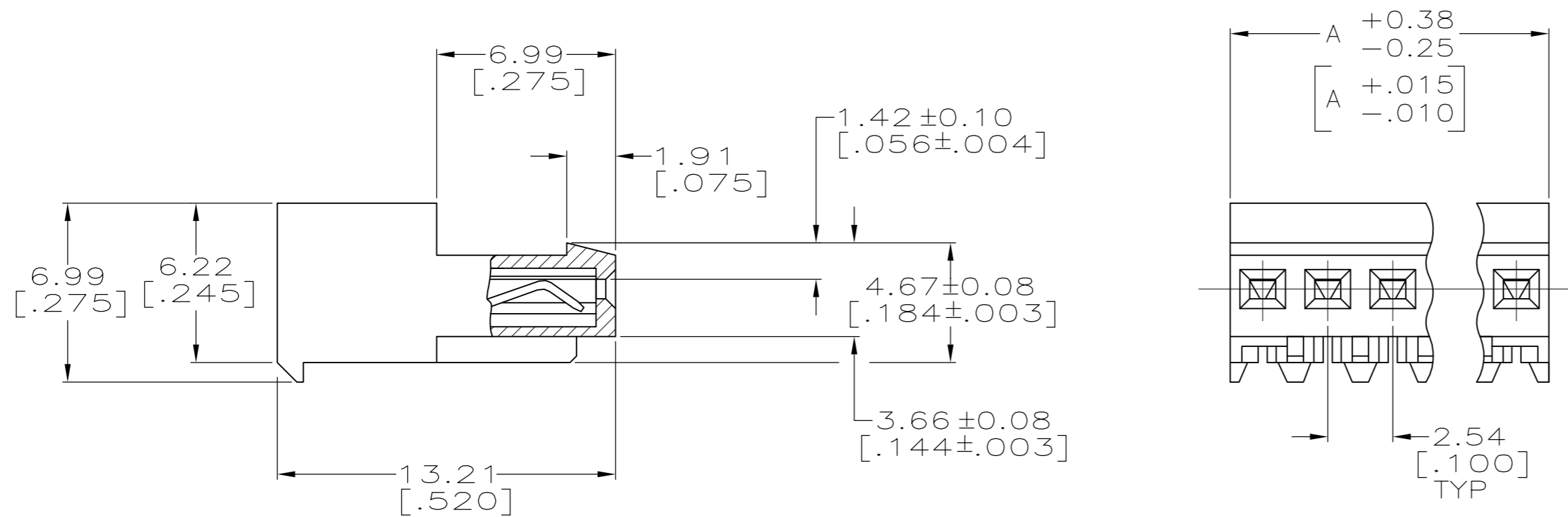
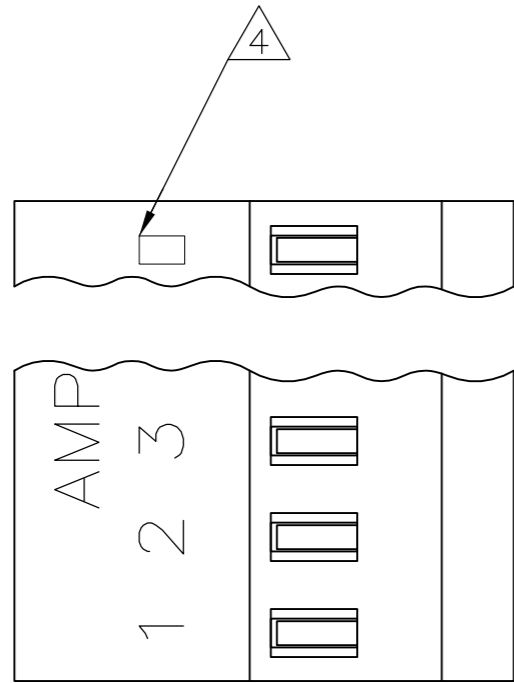


THIS DRAWING IS UNPUBLISHED. RELEASED FOR PUBLICATION  
 © COPYRIGHT BY TYCO ELECTRONICS CORPORATION. ALL RIGHTS RESERVED.

LOC	DIST	REVISIONS					
CM	00	P	LTR	DESCRIPTION	DATE	DWN	APVD
		H		REVISION PER ECO-07-003728	23FEB07	KW	DB
		H1		REVISED PER ECO-09-023313	10OCT09	KK	AEG



△ MATERIAL: CONNECTOR-NYLON UL94V-0 (BLACK).  
 CONTACTS-0.30 [.012] THICK COPPER ALLOY  
 BRIGHT TIN-LEAD 0.00203 [.000080] MIN THICK FOR CONTACTS  
 643828-2 THRU 1-643828-5  
 MATTE WHISKER MITIGATED TIN PLATE 0.00203 [.000080] MIN THICK  
 OVER 0.00076 [.000030] MIN THICK NICKEL FOR CONTACTS  
 3-643828-2 THRU 4-643828-5.

- 2. CONTACTS ACCEPT 26 AWG WIRE WITH 1.52 [.060] MAX INSULATION DIAMETER.
- 3. CONTACTS MUST ACCEPT 0.64±0.03 [.025±.001] SQUARE POST AND REMAIN LOCKED IN POSITION.
- △ IDENTIFICATION NUMBER FOR LAST CIRCUIT MAY NOT APPEAR ON ALL ASSEMBLIES.
- 5. DIMENSIONS IN BRACKETS ARE IN INCHES.
- 6. HOUSING FEATURES ARE: CLOSED END WITH LOCKING RAMP.
- △ OBSOLETE PARTS: OBSOLETE CIS STREAMLINING PER D.RENAUD/D.SINISI

LEAD FREE	38.10	[1.500]	15	4-643828-5
	35.56	[1.400]	14	4-643828-4
	33.02	[1.300]	13	4-643828-3
	30.48	[1.200]	12	4-643828-2
	27.94	[1.100]	11	4-643828-1
	25.40	[1.000]	10	4-643828-0
	22.86	[.900]	9	3-643828-9
	20.32	[.800]	8	3-643828-8
	17.78	[.700]	7	3-643828-7
	15.24	[.600]	6	3-643828-6
12.70	[.500]	5	3-643828-5	
10.16	[.400]	4	3-643828-4	
7.62	[.300]	3	3-643828-3	
5.08	[.200]	2	3-643828-2	

CONTAINS LEAD	38.10	[1.500]	15	1-643828-5
	35.56	[1.400]	14	1-643828-4
	33.02	[1.300]	13	1-643828-3
	30.48	[1.200]	12	1-643828-2
	27.94	[1.100]	11	1-643828-1
	25.40	[1.000]	10	1-643828-0
	22.86	[.900]	9	643828-9
	20.32	[.800]	8	643828-8
	17.78	[.700]	7	643828-7
	15.24	[.600]	6	643828-6
12.70	[.500]	5	643828-5	
10.16	[.400]	4	643828-4	
7.62	[.300]	3	643828-3	
5.08	[.200]	2	643828-2	
DIM A		NO.OF POSN		ASSEMBLY

**METRIC**

THIS DRAWING IS A CONTROLLED DOCUMENT.		DWN S. HOOVER 03-DEC-2004	Tyco Electronics Corporation Harrisburg, Pa 17105-3608	
DIMENSIONS: mm [INCHES]		CHK D. BOSSI 03-DEC-2004	NAME MTA .100 CONNECTOR ASSEMBLY 26 AWG, UL94V-0, SPECIAL	
TOLERANCES UNLESS OTHERWISE SPECIFIED:		APVD D. BOSSI 03-DEC-2004	SIZE A2 CAGE CODE 00779 C=643828	
0 PLC ±		PRODUCT SPEC 108-1050	DRAWING NO 114-1019	
1 PLC ±		APPLICATION SPEC 114-1019	RESTRICTED TO	
2 PLC ±		WEIGHT	SCALE 5:1 SHEET 1 OF 1 REV H1	
3 PLC ±		CUSTOMER DRAWING		
4 PLC ±				
ANGLES ±				
FINISH △				

## X-ON Electronics

Largest Supplier of Electrical and Electronic Components

*Click to view similar products for [Headers & Wire Housings](#) category:*

*Click to view products by [TE Connectivity](#) manufacturer:*

Other Similar products are found below :

[95000-104TRLF](#) [10135584-644402LF](#) [DF62W-EP2022PCA](#) [95000-106TRLF](#) [DF62W-2022SCA](#) [DF62W-EP2022PC](#) [2203348](#) [DF62W-2022SC](#) [1084018](#) [1029039](#) [1084017](#) [802-10-012-10-002000](#) [1112640](#) [1112639](#) [000-34000](#) [0009482033](#) [0009507031](#) [57102-S06-03LF](#) [57202-S52-04LF](#) [PCN6-15S-2.5E](#) [0039019024](#) [58102-G61-06LF](#) [582553-1](#) [0009485154](#) [0009508121](#) [0022285053](#) [0050291907](#) [018731A](#) [LY20-4P-DT1-P1E-BR](#) [02.125.8002.8](#) [60101931](#) [60598-1 \(Cut Strip\)](#) [M1625-3R/100](#) [61062-3](#) [61082-181009](#) [636-1427](#) [638009-1](#) [641938-9](#) [641991-4](#) [644168-1](#) [647662-1](#) [65039-019ELF](#) [65817-002LF](#) [65817-015LF](#) [65863-015LF](#) [66207-023LF](#) [67016-026LF](#) [67046-001LF](#) [67095-007LF](#) [67230-005LF](#)