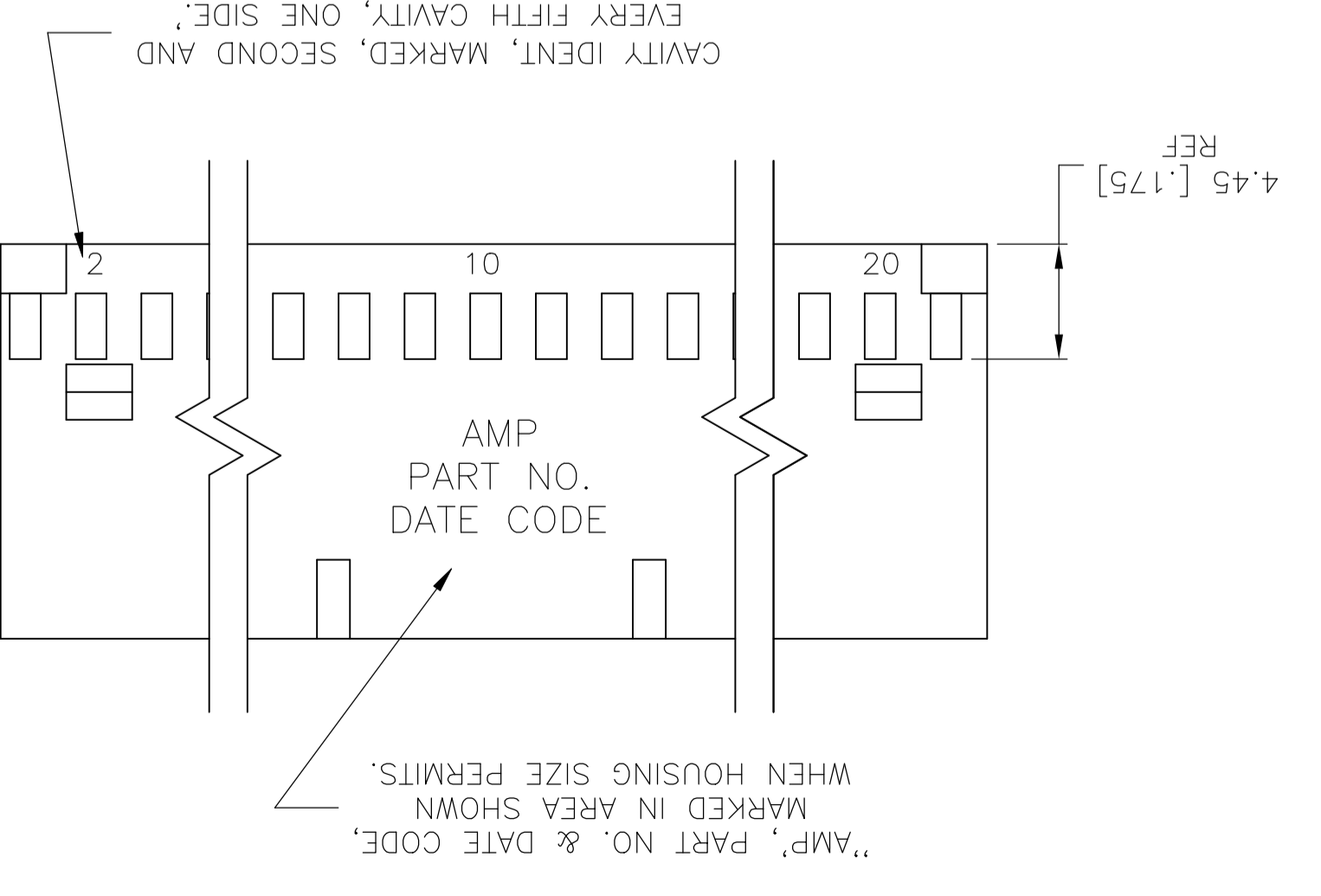
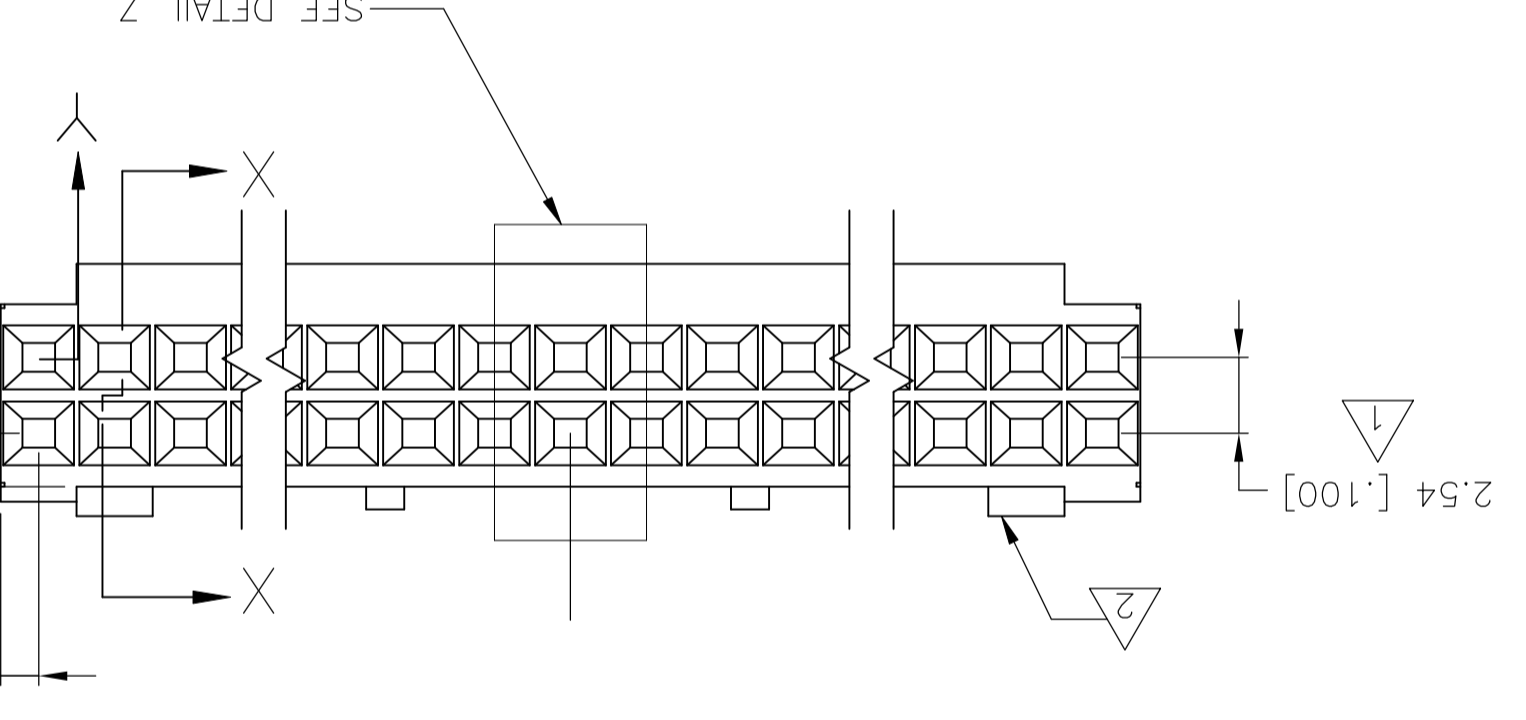
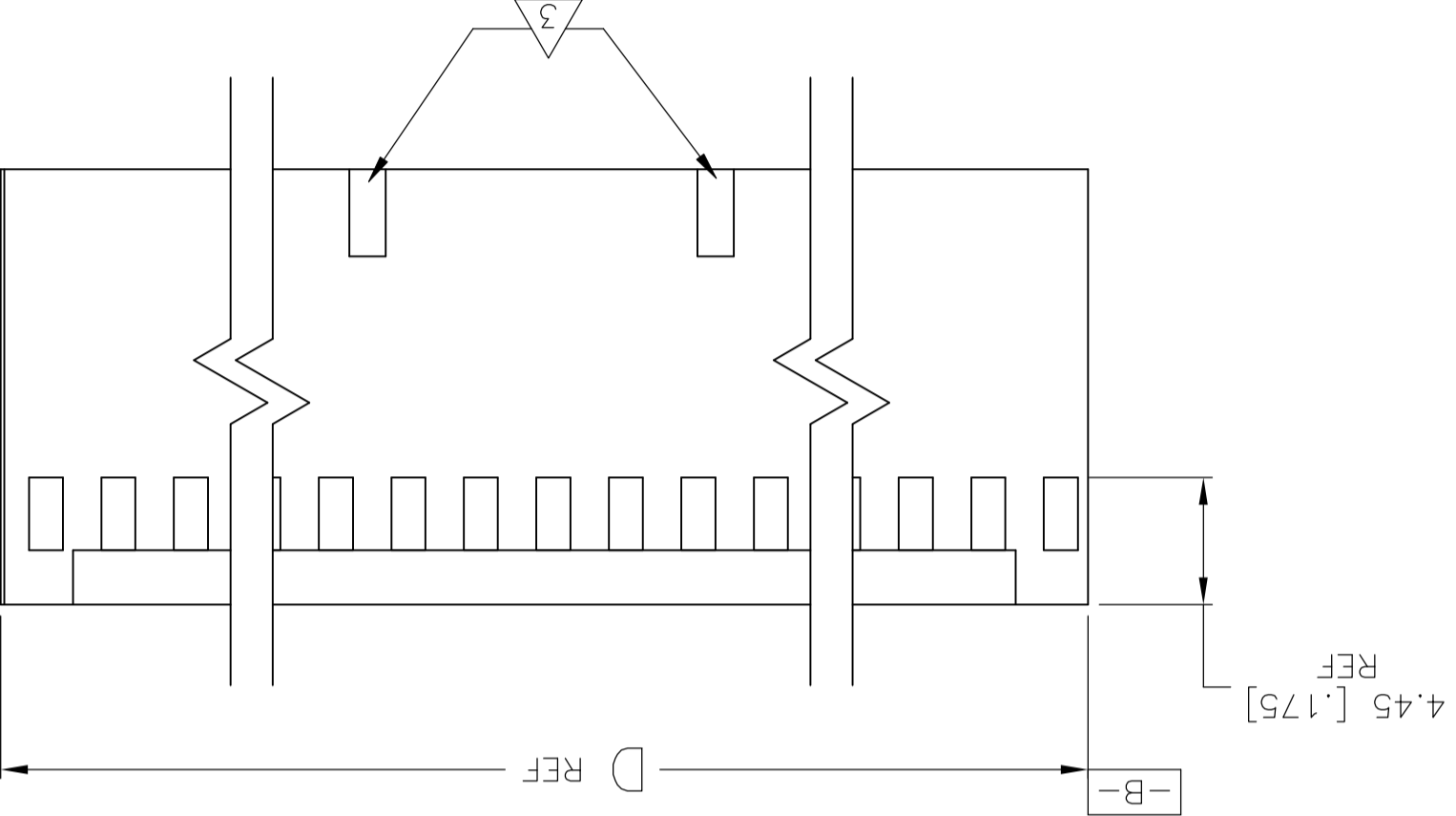
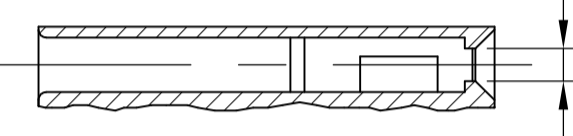


- 2 SEE TABLE FOR NUMBER OF DETENTS. DETENT ON THIS SIDE FOR HOUSINGS WITH ONE DETENT.
- 3 STRAIN RELIEF LOCATORS WILL APPEAR ON 20 POSITION AND LARGER HOUSINGS.
- 4 USE EXTRACTION TOOL 91052-1 TO REMOVE RECEPTACLE CONTACTS.
- 5 THESE HOUSINGS ARE COMPATIBLE WITH ANY MOD II SHROUDED HEADER.
- 6 HOUSINGS WILL ACCOMMODATE ALL MOD IV, IV.5 AND MOD V CONTACTS.
- 7 MATERIAL: FLAME RETARDANT GLASS FILLED NYLON, COLOR: BLACK PER ASTM D4066.
- 8 OBSOLETE PARTS: OBSOLETE CIS STREAMLINING PER D.RENAUD/D.SINISI

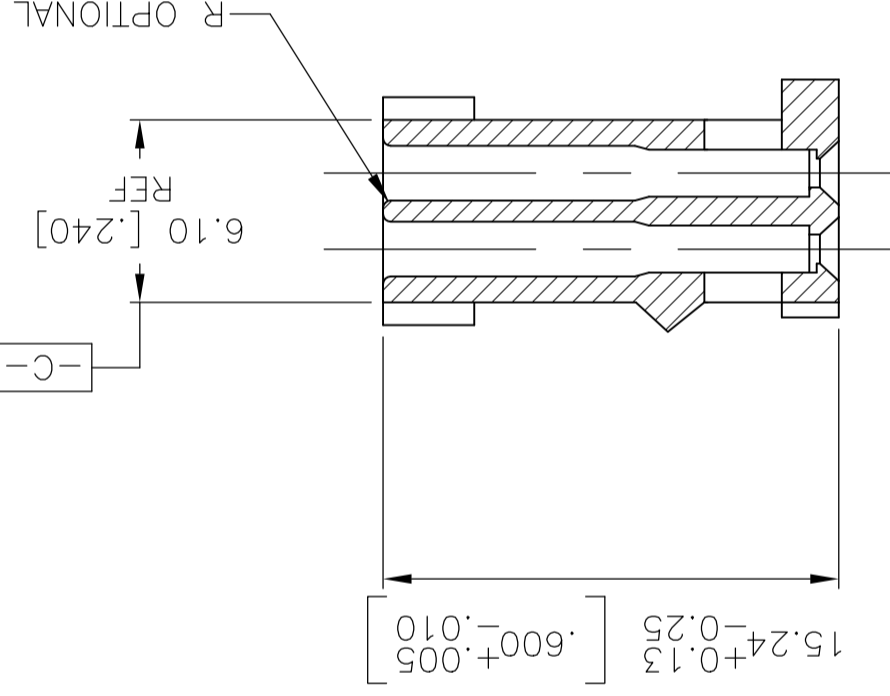


SECTION Y-Y
ROTATED 90° CLOCKWISE

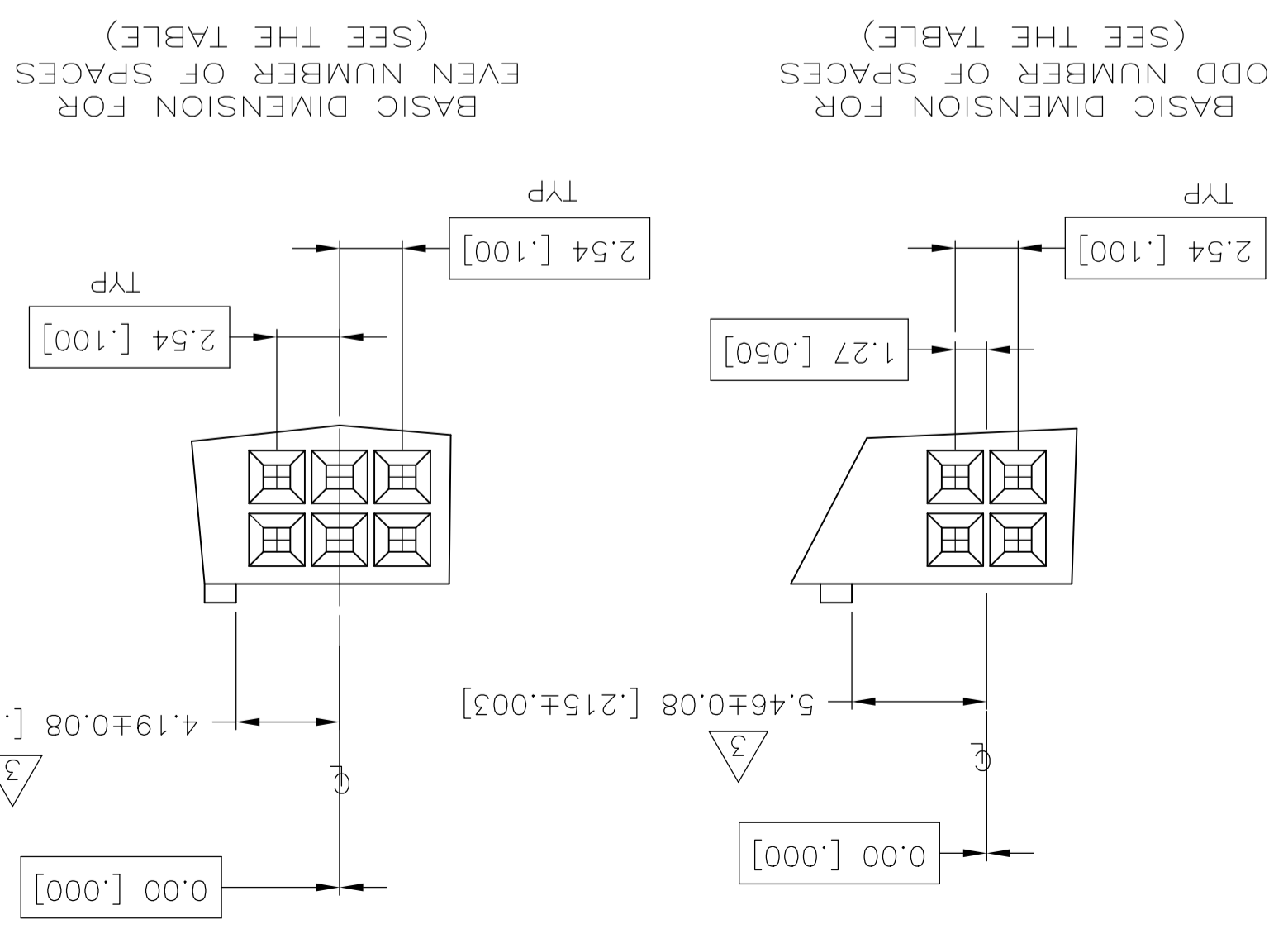


1.09±0.10 [0.43±.004]
⊕ 0.15 [0.006] (M) A B C

SECTION X-X



DETAIL Z



MARKING	NO. OF DETENTS	D	SPACES OF POS. OF PART	NO. OF PART
NONE	1	7.62 [.300]	2	6
ALL	1	7.62 [.300]	2	6
NONE	1	10.16 [.400]	3	8
ALL	1	10.16 [.400]	3	8
ALL	1	12.70 [.500]	4	10
NONE	1	12.70 [.500]	4	10
NONE	1	15.24 [.600]	5	12
ALL	1	15.24 [.600]	5	12
NONE	1	17.78 [.700]	6	14
ALL	1	17.78 [.700]	6	14
NONE	1	20.32 [.800]	7	16
ALL	1	20.32 [.800]	7	16
NONE	1	22.86 [.900]	8	18
ALL	1	22.86 [.900]	8	18
NONE	2	25.40 [1.000]	9	20
ALL	2	25.40 [1.000]	9	20
NONE	2	27.94 [1.100]	10	22
ALL	2	27.94 [1.100]	10	22
NONE	2	30.48 [1.200]	11	24
ALL	2	30.48 [1.200]	11	24
NONE	2	33.02 [1.300]	12	26
ALL	2	33.02 [1.300]	12	26
NONE	2	35.56 [1.400]	13	28
ALL	2	35.56 [1.400]	13	28
NONE	2	38.10 [1.500]	14	30
ALL	2	38.10 [1.500]	14	30
NONE	2	40.64 [1.600]	15	32
ALL	2	40.64 [1.600]	15	32
NONE	2	43.18 [1.700]	16	34
ALL	2	43.18 [1.700]	16	34
NONE	2	45.72 [1.800]	17	36
ALL	2	45.72 [1.800]	17	36
NONE	2	48.26 [1.900]	18	38
ALL	2	48.26 [1.900]	18	38
NONE	2	50.80 [2.000]	19	40
ALL	2	50.80 [2.000]	19	40
NONE	2	53.34 [2.100]	20	42
ALL	2	53.34 [2.100]	20	42
NONE	2	55.88 [2.200]	21	44
ALL	2	55.88 [2.200]	21	44
NONE	2	63.50 [2.500]	24	50
ALL	2	63.50 [2.500]	24	50
NONE	2	66.04 [2.600]	25	52
ALL	2	66.04 [2.600]	25	52
NONE	2	68.58 [2.700]	26	54
ALL	2	68.58 [2.700]	26	54
NONE	2	76.20 [3.000]	29	60
ALL	2	76.20 [3.000]	29	60
NONE	2	83.82 [3.300]	32	66
ALL	2	83.82 [3.300]	32	66
NONE	2	88.90 [3.500]	34	70
ALL	2	88.90 [3.500]	34	70
NONE	2	88.90 [3.500]	35	72
ALL	2	88.90 [3.500]	35	72
NONE	2	60.96 [2.400]	23	48
ALL	2	60.96 [2.400]	23	48
NONE	2	73.66 [2.900]	28	58
ALL	2	73.66 [2.900]	28	58
NONE	2	81.28 [3.200]	31	64
ALL	2	81.28 [3.200]	31	64

THIS DRAWING IS A CONTROLLED DOCUMENT.

TE Connectivity Ltd.

CONNECTION, MOD IV, CRIMP SNAP-IN, WITH DETENT

87631

SCALE 4:1

SHEET 1 OF 1

REV Y

REV	DATE	DESCRIPTION	BY	CHK	APP
W4	07MAR13	REVISED PER ECO-13-004115	RS	J0	
Y	18MAY2018	REVISED PER ECO-18-000976	RS	J0	

A

B

C

D

A

B

C

D

X-ON Electronics

Largest Supplier of Electrical and Electronic Components

Click to view similar products for [Headers & Wire Housings](#) category:

Click to view products by [TE Connectivity](#) manufacturer:

Other Similar products are found below :

[95000-104TRLF](#) [10135584-644402LF](#) [DF62W-EP2022PCA](#) [95000-106TRLF](#) [DF62W-2022SCA](#) [DF62W-EP2022PC](#) [2203348](#) [DF62W-2022SC](#) [1084018](#) [1029039](#) [1084017](#) [802-10-012-10-002000](#) [1112640](#) [1112639](#) [000-34000](#) [0009482033](#) [0009507031](#) [57102-S06-03LF](#) [57202-S52-04LF](#) [PCN6-15S-2.5E](#) [0039019024](#) [58102-G61-06LF](#) [582553-1](#) [0009485154](#) [0009508121](#) [0022285053](#) [0050291907](#) [018731A](#) [LY20-4P-DT1-P1E-BR](#) [02.125.8002.8](#) [60101931](#) [60598-1 \(Cut Strip\)](#) [M1625-3R/100](#) [61062-3](#) [61082-181009](#) [636-1427](#) [638009-1](#) [641938-9](#) [641991-4](#) [644168-1](#) [647662-1](#) [65039-019ELF](#) [65817-002LF](#) [65817-015LF](#) [65863-015LF](#) [66207-023LF](#) [67016-026LF](#) [67046-001LF](#) [67095-007LF](#) [67230-005LF](#)