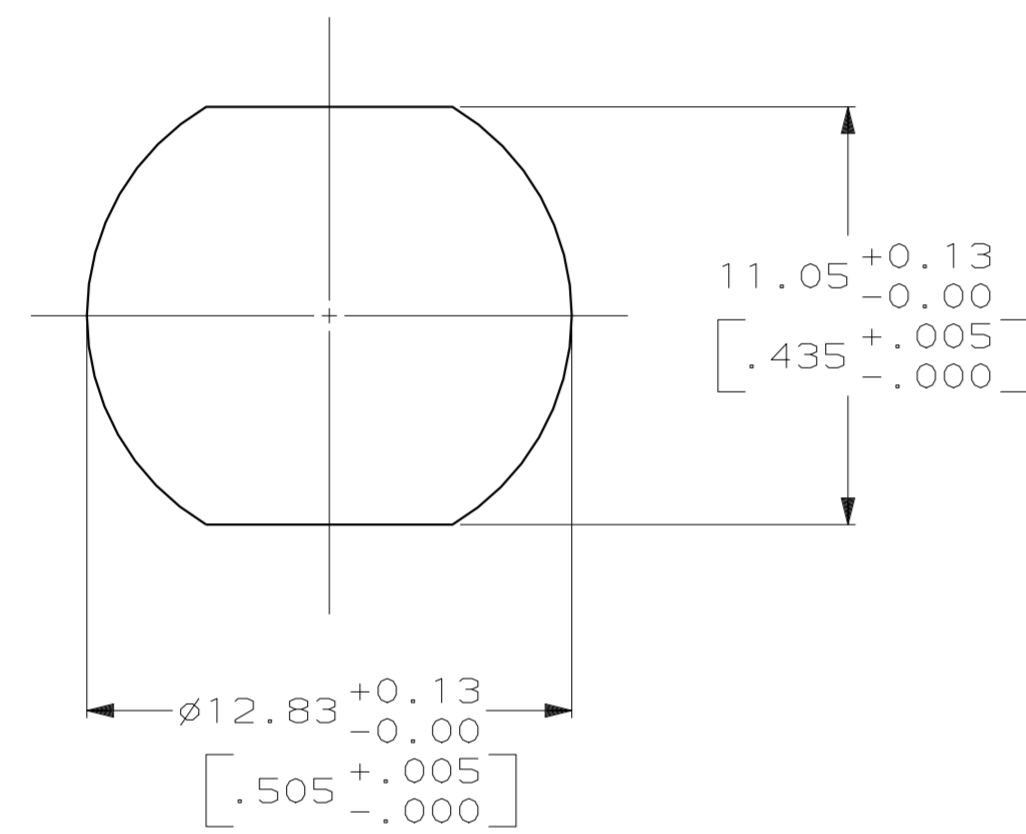
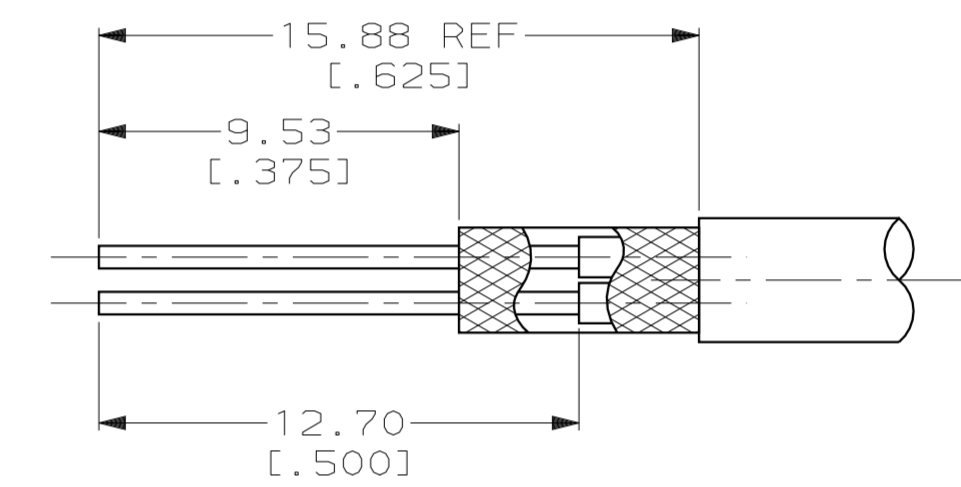
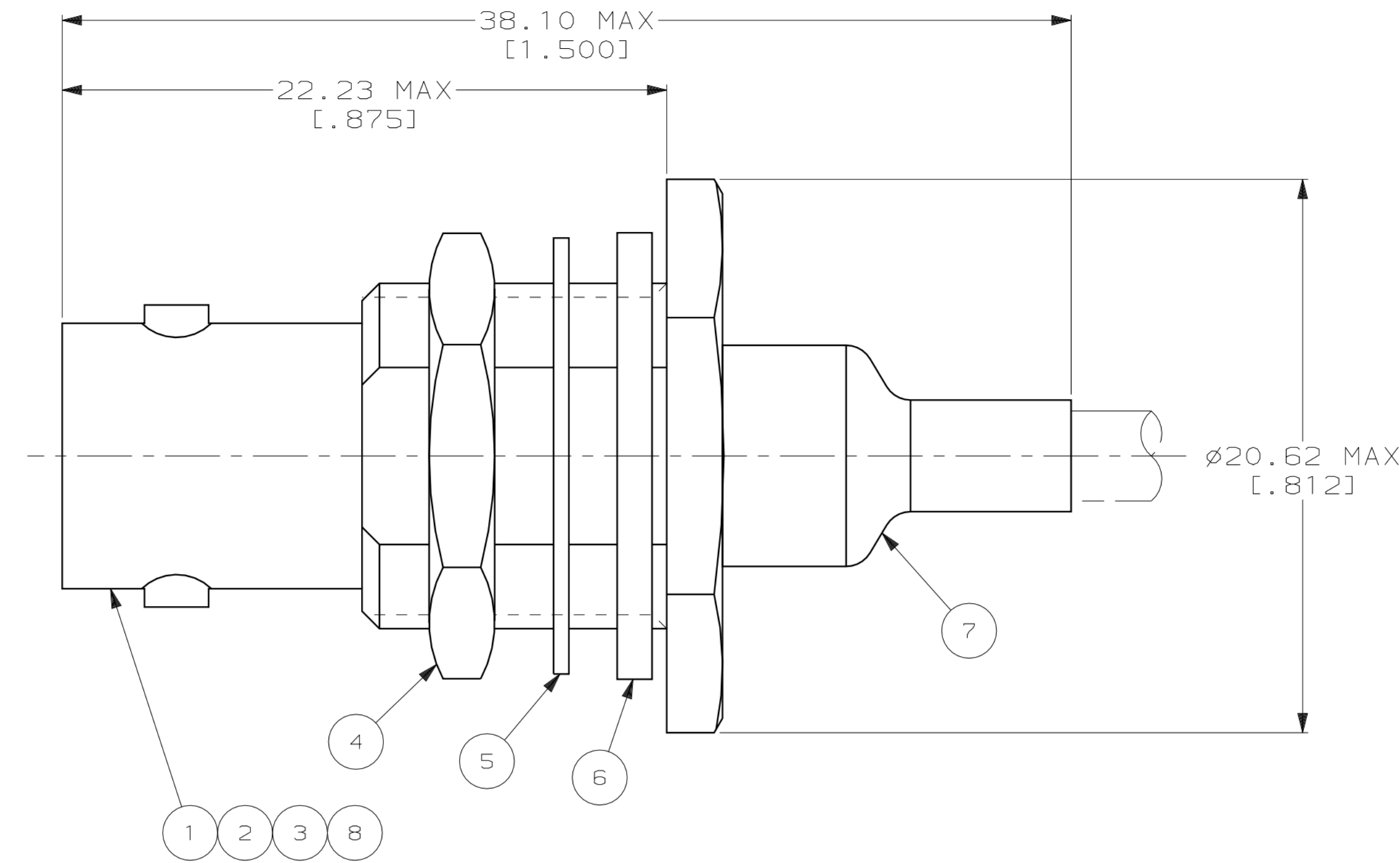


LOC		DIST		P		F		ZONE		LTR		REVISIONS	
DESCRIPTION	DATE	APPD											
✓	✓	✓	✓	✓	✓	✓	✓	✓	✓	✓	✓	✓	✓
F	REDWN & RLSE -3 PER 91-3314-002	6-13-91	MEC										
G	OBSOLETE -2 PER AJ-3020	6-19-91	JL										
H	REV PER AJ-5739	11-12-91	JL										
H1	OBS 332342-1 PER ECN AJ-5756	10-15-92	KT										
J	REVISE PER 0130-0036-92	11-24-92	MEC										

1. SEE I.S. 2055



RECOMMENDED PANEL CUTOUT



RECOMMENDED STRIP LENGTH

	BELDEN 81533	58047-2	1-332210-0	228455-6	329633	329632	329631	332214	1-332221-2	1-329791-5	332342-3
OBSOLETE	BLUE TWIN (Ø.023 CC, Ø.045 DOD, Ø.155 OD)	58047-1	1-332210-0	228455-3	329633	329632	329631	332214	1-332221-2	1-329791-5	332342-2
OBSOLETE	-	-	-	-	-	-	-	-	-	-	332342-1
	RG-108 & 108A	69667	1-332210-0	1-332224-0	329633	329632	329631	332214	1-332221-0	1-329791-5	332342
	FOR USE WITH CABLE	CRIMP TOOL	8 DIELECTRIC QTY=1	7 FERRULE QTY=1	6 GASKET QTY=1	5 LOCKWASHER QTY=1	4 JAM NUT QTY=1	3 SEAL QTY=1	2 CRIMP END ASSEMBLY QTY=1	1 BODY, JACK, BULKHEAD QTY=1	PART NUMBER

DO NOT SCALE PRINT. UNLESS SPECIFIED DIMENSIONS IN mm [INCHES]		TOLERANCES ON:		ANGLES		MATERIAL		FINISH		WEIGHT	
DR 6-13-91	M.E. COWHER	CHK 6-20-91	J.T. LIPPERT	APPD 6-20-91	M. PHILLIPS	APPD 6-20-91	M.E. COWHER	APPLICATION SPEC	-	-	-
NAME		AMP Incorporated		Harrisburg, PA 17105-3608		PRODUCT SPEC		SIZE		CAGE CODE	
JACK, BHD, TWIN BNC		DRAWING NO		332342		SCALE		5:1		SHEET	
PART NO		1 OF 1		CUSTOMER DRAWING							

X-ON Electronics

Largest Supplier of Electrical and Electronic Components

Click to view similar products for [RF Connectors / Coaxial Connectors](#) category:

Click to view products by [TE Connectivity](#) manufacturer:

Other Similar products are found below :

[R125315120](#) [8915-1511-000](#) [89674-0827](#) [5916-1103-603](#) [0106-001-000](#) [6-0001-3](#) [6001-7071-019](#) [6002-7051-003](#) [6002-7551-202](#) [6059674-1](#) [619550-1](#) [630059-000](#) [M39012/25-0021](#) [M39012/79-3008](#) [M39030/3-01N](#) [M39030/3-03N](#) [M3933/25-36N](#) [6500-7071-046](#) [6501-1071-002](#) [M83723/72W2457N](#) [6769](#) [CX050L2AQ](#) [7002-1541-010](#) [7002-1572-002](#) [7003-1572-002](#) [7004-1512-000](#) [7009-1511-004](#) [7010-1511-000](#) [7029-1511-060](#) [7101-1541-010](#) [7101-1571-002](#) [7105-1521-002](#) [7145-1521-002](#) [7209-1511-011](#) [7210-1511-012](#) [7210-1511-015](#) [7210-1511-019](#) [7210-1511-040](#) [7225-1512-050](#) [7242-1511-000](#) [73137-5015](#) [73251-0111](#) [73251-0672](#) [73276-1501](#) [73366-0013](#) [73404-2300](#) [73413-6080](#) [73415-5721](#) [7405-1521-005](#) [7405-1521-802](#)