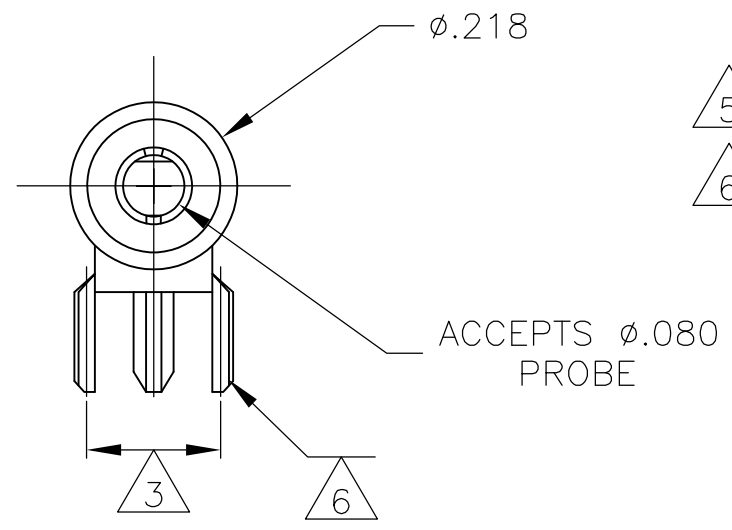
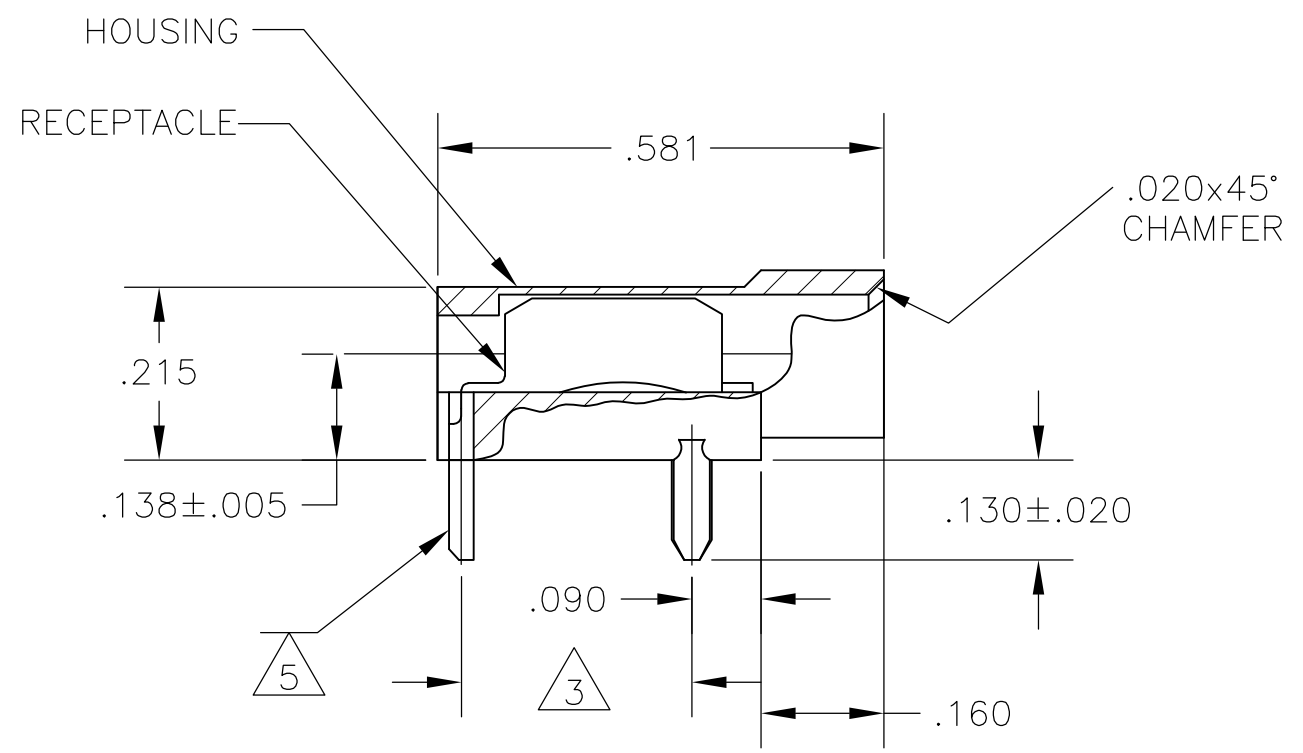
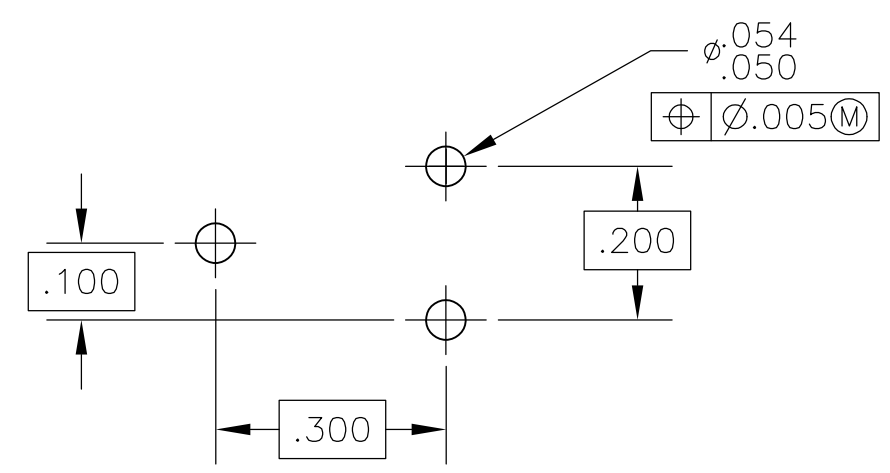


THIS DRAWING IS UNPUBLISHED. RELEASED FOR PUBLICATION  
 © COPYRIGHT - By - ALL RIGHTS RESERVED.

LOC	DIST	REVISIONS					
AF	50	P	LTR	DESCRIPTION	DATE	DWN	APVD
			L2	REVISED PER ECO-11-004587	11MAR11	RK	HMR



- 1 OPERATING TEMPERATURE, 105°C MAX
- 2 RETENTION FORCE-16 OZ MIN INITIALLY, 6 OZ MIN AFTER 500 CYCLES.
- 3 REFER TO MOUNTING HOLE PATTERN.
- 5 SINGLE LEG IS LIVE CIRCUIT
- 6 DOUBLE LEGS FOR MECHANICAL MOUNTING ONLY.



RECOMMENDED MOUNTING HOLE PATTERN

	GOLD	WHITE	350180-9
OBSOLETE	GOLD	GRAY	350180-8
	GOLD	VIOLET	350180-7
	GOLD	BLUE	350180-6
	GOLD	GREEN	350180-5
	GOLD	YELLOW	350180-4
	GOLD	ORANGE	350180-3
	GOLD	RED	350180-2
OBSOLETE	GOLD	BROWN	350180-1
	GOLD	BLACK	350180-0
	RECEPTACLE & LEGS FINISH	HOUSING COLOR	ASSY NO.

THIS DRAWING IS A CONTROLLED DOCUMENT.		DWN RAGHAVENDRA 11JUL2008	<b>STE</b> TE Connectivity	
DIMENSIONS: INCHES		CHK JEFF RUTH 11JUL2008		
TOLERANCES UNLESS OTHERWISE SPECIFIED:		APVD ED HOWARD 11JUL2008	NAME	
0 PLC ± -		PRODUCT SPEC	TEST PROBE ASSY	
1 PLC ± -		APPLICATION SPEC	RESTRICTED TO	
2 PLC ± .015		WEIGHT -	SIZE A3	CAGE CODE 00779
3 PLC ± -		MATERIAL HOUSING, NYLON TYPE 6/6 RECEPTACLE & LEGS, ASTM-B36 ALLOY6	DRAWING NO	REV L2
4 PLC ± -			C=350180	SCALE 4:1
ANGLES ± 1° 0'		FINISH	SHEET 1 OF 1	REV L2
CUSTOMER DRAWING		SCALE 4:1 SHEET 1 OF 1 REV L2		

## X-ON Electronics

Largest Supplier of Electrical and Electronic Components

*Click to view similar products for [Test Probes](#) category:*

*Click to view products by [TE Connectivity](#) manufacturer:*

Other Similar products are found below :

[6214](#) [6265](#) [6474](#) [815003](#) [923832-BK-B](#) [P-KIT-1](#) [R941850000](#) [925250-R](#) [72923-2](#) [923848-C](#) [973368101](#) [972318101](#) [972318100](#)  
[MXHQ87WJ3000](#) [66.9115-23](#) [850182](#) [TAS90](#) [VL1735/45](#) [973368100](#) [972327100](#) [972327101](#) [975017700](#) [975018700](#) [973995100](#)  
[973995101](#) [100039-080-958](#) [CT3986B-120](#) [CT3987B-120](#) [CT3983B-120](#) [CT3979B-150](#) [CT3981B-120](#) [CT3985B-120](#) [402-IEC-RT](#) [402-](#)  
[IEC-SW](#) [404-IEC-RT](#) [AX-CP-01-SET](#) [AX-CP-05-B](#) [AX-CP-05-R](#) [464-IEC-NEEDLE13/0,6-RT](#) [464-IEC-NEEDLE13/0,6-SW](#) [464-IEC-RT](#)  
[464-IEC-SW](#) [00043](#) [404-IEC-SW](#) [00125](#) [1445](#) [MPS1RT](#) [0602 4592](#) [0602 4892](#) [0628 0020](#)