

4

3

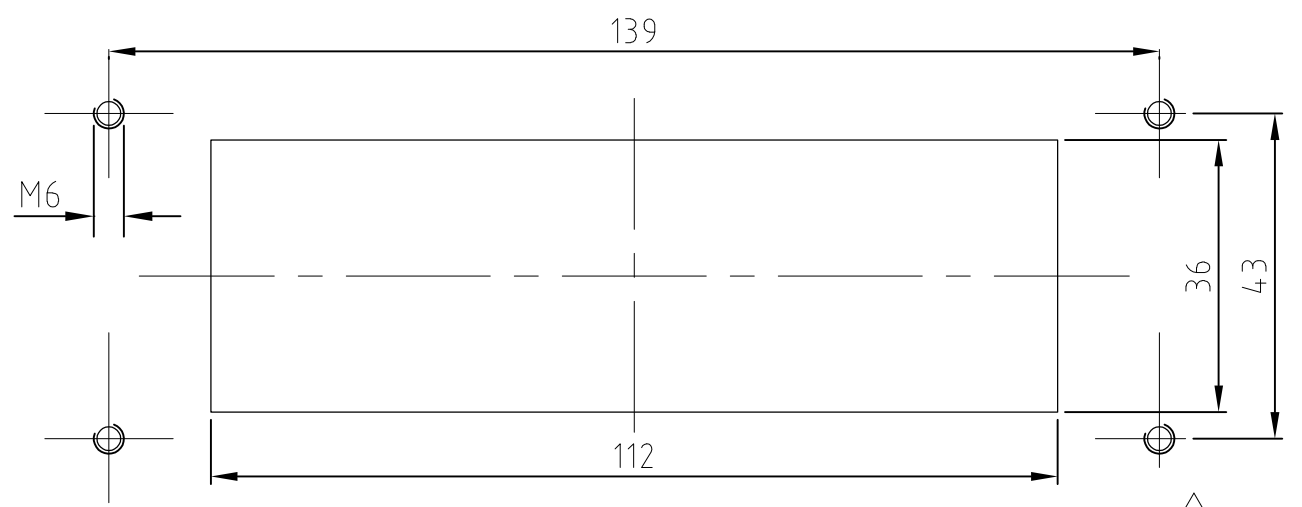
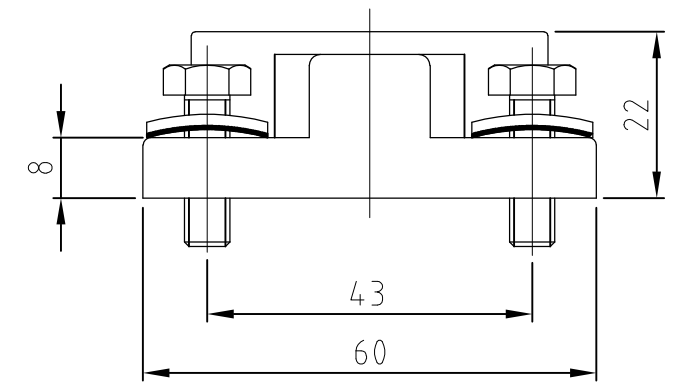
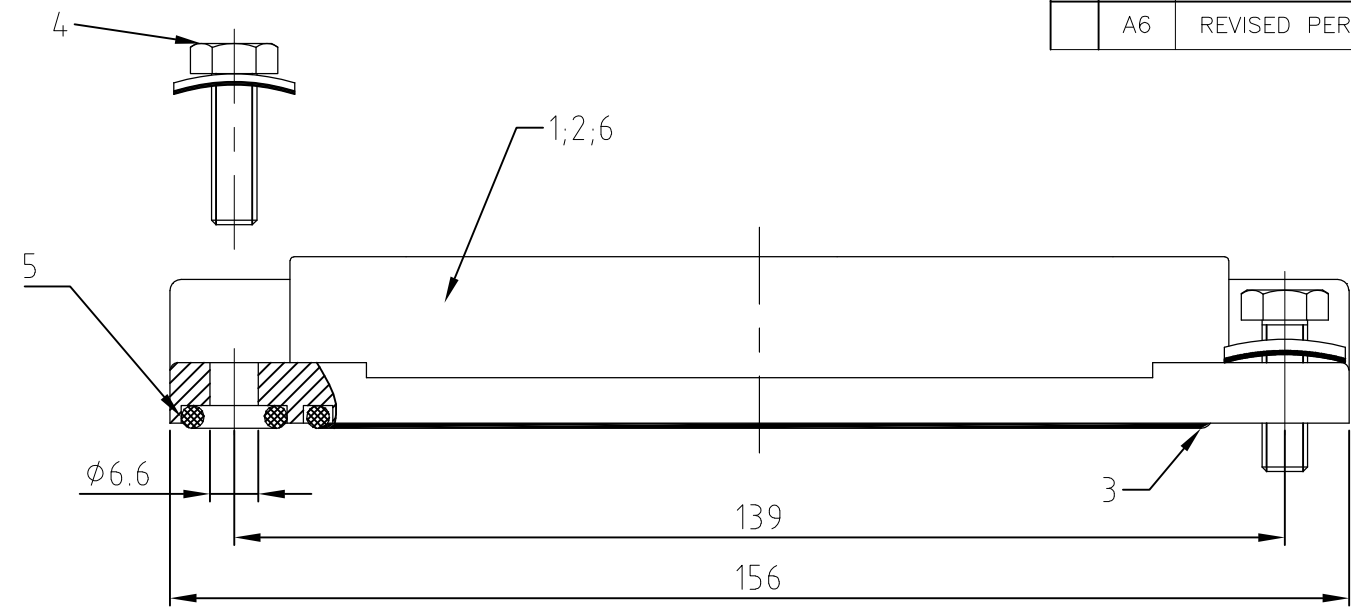
2

1

THIS DRAWING IS UNPUBLISHED. RELEASED FOR PUBLICATION  
 © COPYRIGHT - TE Connectivity ALL RIGHTS RESERVED.

REVISIONS					
P	LTR	DESCRIPTION	DATE	DWN	APVD
	A6	REVISED PER ECR-16-016768	23AUG2017	AP	MKO

Panel cut-out  
 Montageausschnitt



QTY	POS.	DESCRIPTION / BENENNUNG	MATERIAL	SURFACE / OBERFLÄCHE	COLOR / FARBE	ITEM NO. Pos.	NOTES / BEMERKUNGEN
1		Anbaugehäuse EMV-K/ surface mounted housing bottom entry	aluminium/ALU	SEE NOTE 2	black/schwarz	6	Without HTS characters
4	4	O-Ring/O-ring	Neoprene		black/schwarz	5	φ7x3
4	4	Dichtschaube mit U-Scheibe/ sealing screw with U-pane	V2A/stainl. steel	blank/even		4	M6x20
1	1	Dichtung Bg8/seal	Neoprene		black/schwarz	3	leitfähig/conductiv
	1	Anbaugehäuse EMV-K/ surface mounted housing bottom entry	aluminium/ALU	SEE NOTE 2	black/schwarz	2	
	1	Anbaugehäuse EMV/ surface mounted housing bottom entry	aluminium/ALU		grey/grau	1	

Notes:  
 1 Material: Housing: aluminium diecasting alloy  
 Seals: Neoprene conductiv  
 2 Surface: Varnisch- grey  
 - chromitAL TCP passivation  
 Varnisch black  
 3 Varnisch on the inside not necessarily  
 4 OBSOLETE

Bemerkungen:  
 1 Material: Gehäuse: Alu-Druckguß-Legierung  
 Dichtungen: Neoprene leitfähig  
 2 Oberfläche: Lackierung - grau  
 - chromitAL TCP passivation  
 Lackierung schwarz  
 3 Lackierung im Gehäuseinnere ist nicht notwendig

THIS DRAWING IS A CONTROLLED DOCUMENT.

DIMENSIONS: mm

TOLERANCES UNLESS OTHERWISE SPECIFIED:  
 GENERAL TOLERANCES  
 n. ISO 8015  
 p. ISO 2768 - mH-E  
 p. DIN 16901 - 140

0 PLC ±  
 1 PLC ±  
 2 PLC ±  
 3 PLC ±  
 4 PLC ±  
 ANGLES ±  
 FINISH ±

MATERIAL 1

ORDERING TEXT / BESTELLTEXT  
 EMV-K-24/64.AG.M6  
 EMV-K-24/64.AG.M6  
 EMV-24/64.AG.M6

DWN Schneider 19.11.2002  
 CHK Schweiger 19.11.2002  
 APVD  
 NAME  
 PRODUCT SPEC  
 APPLICATION SPEC  
 WEIGHT 0.000000  
 CUSTOMER DRAWING

19.11.2002  
 19.11.2002

STE TE Connectivity

Surface Mounted Housing Bottom Entry  
 Anbaugehaeuse EMV.24/64.AG.M6

SIZE A3 CAGE CODE 00779 DRAWING NO C-1102736 RESTRICTED TO

SCALE 1:1 SHEET 1 OF 1 REV A6

## X-ON Electronics

Largest Supplier of Electrical and Electronic Components

*Click to view similar products for [Heavy Duty Power Connectors](#) category:*

*Click to view products by [TE Connectivity](#) manufacturer:*

Other Similar products are found below :

[1424439](#) [1424438](#) [09330062652](#) [2-8675P1](#) [605601-1](#) [6340G1](#) [6341G1](#) [6360G1](#) [6373G1](#) [6374g2](#) [6396G1](#) [647757-1](#) [66394-4](#) [6643411-1](#)  
[6646058-2](#) [6646137-1](#) [6646138-1](#) [6646348-1](#) [6646479-1](#) [6646608-1](#) [6646786-1](#) [6646940-1](#) [6651091-1](#) [6651525-1](#) [6651529-1](#) [6651778-1](#)  
[6651788-1](#) [696465-1](#) [696475-1](#) [73000005059](#) [73000005349](#) [73000005642](#) [73080255059](#) [73080965046](#) [765-15-0080A](#) [765-16-0080B](#)  
[789.700-44](#) [789.700-54](#) [80-1010](#) [80-9](#) [827381-1](#) [829992-1](#) [902-77-02113](#) [PL00U-301-10D10](#) [PM103MOOLOO](#) [PM16S1620S32-50](#)  
[PM212MOOLOO](#) [PM309FOOLOO](#) [PM324FOOLCH](#) [PMHPAF11S03](#)