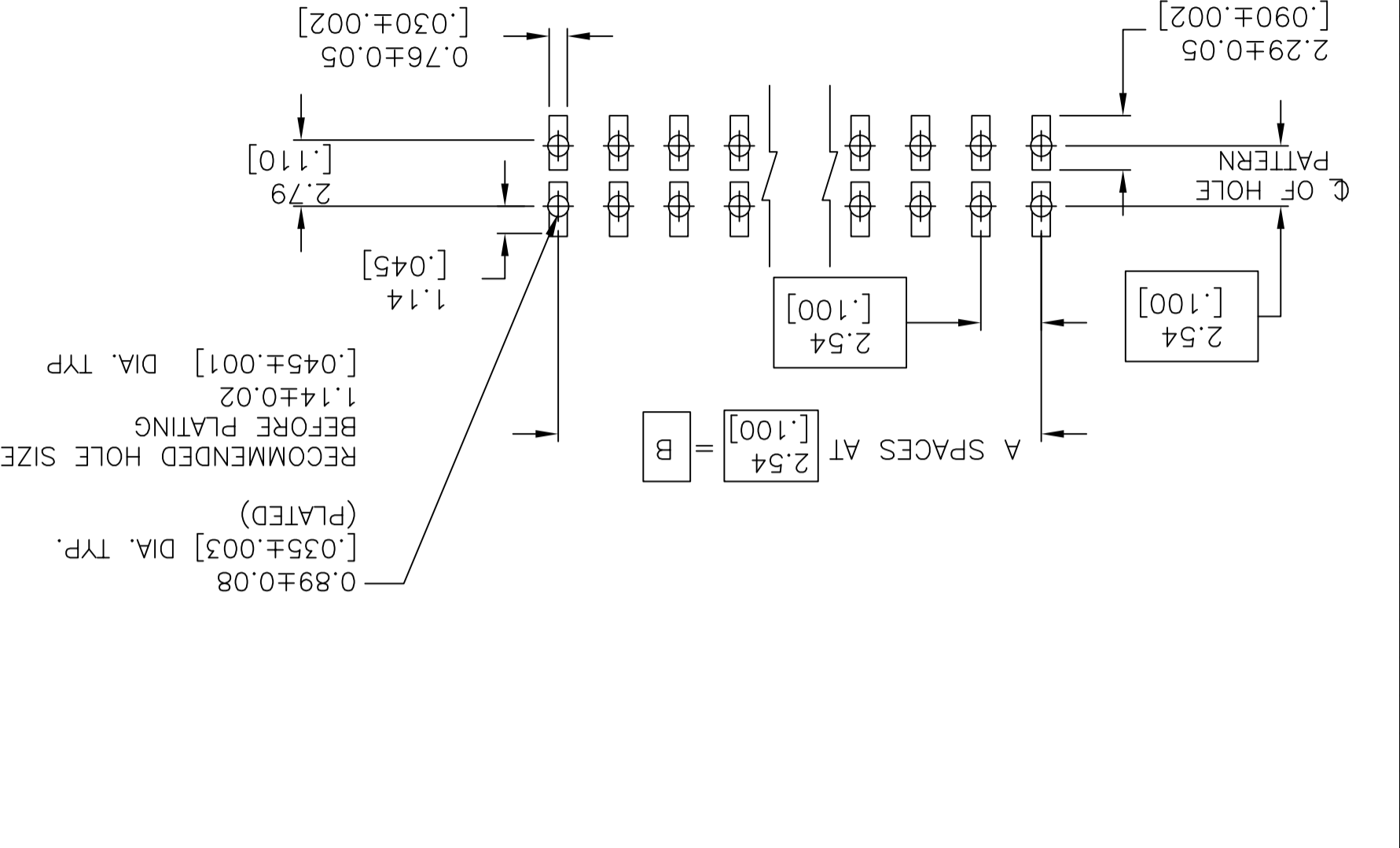
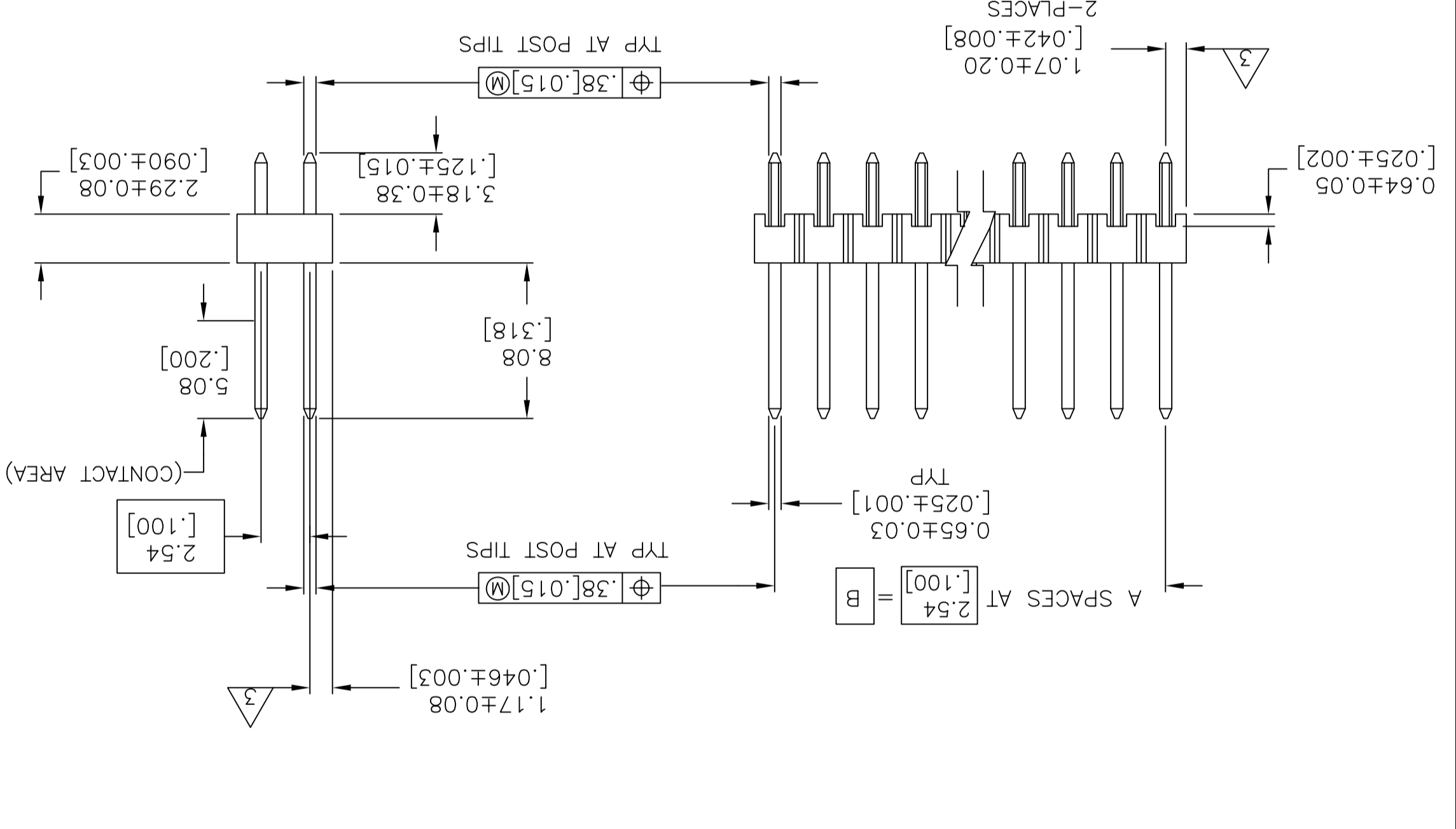
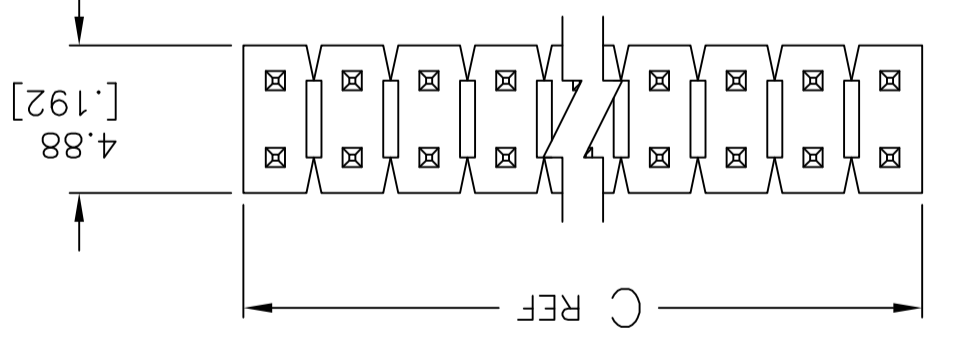


1 ASSEMBLY MAY BE BROKEN TO THE DESIRED NUMBER OF POSITIONS.  
2 TRUE POSITION TOLERANCE OF THE POST TIPS APPLIES WHEN THE HEADER IS HELD FLAT AGAINST THE PRINTED CIRCUIT BOARD.  
3 THE NOTED DIMENSIONS APPLY AT THE INTERSECTION OF THE POST AND HOUSING.  
4 PLATING: 0.000381 [0.00015] GOLD ON CONTACT AREA, 0.0254-0.0508 [0.00100-0.00200] MATTE TIN-LEAD ON SOLDER TAIL, ALL OVER 0.0127 [0.00050] NICKEL.  
5 HOUSING: LCP, COLOR-BLACK.  
6 POST: COPPER ALLOY.  
7 PLATING: 0.000381 [0.00015] GOLD ON CONTACT AREA, 0.0254-0.0508 [0.00100-0.00200] MATTE TIN ON SOLDER TAIL, ALL OVER 0.0127 [0.00050] NICKEL.  
8 OBSOLETE PARTS: OBSOLETE CIS STREAMLINING PER D.RENAUD/D.SINISI.



RECOMMENDED PC BOARD MOUNTING DIMENSIONS FOR .063 [1.60] THICK PC BOARD AND .012 [0.305] STENCIL THICK

PLATING	NO. OF POSITIONS	A	B	C	PART NUMBER
6	2	0	-	[.084]	5-146252-1
6	4	1	2.54	[.184]	5-146252-2
6	6	2	5.08	[.284]	5-146252-3
6	8	3	9.75	[.384]	5-146252-4
6	10	4	14.40	[.484]	5-146252-5
6	12	5	19.16	[.584]	5-146252-6
6	14	6	23.84	[.684]	5-146252-7
6	16	7	28.52	[.784]	5-146252-8
6	18	8	33.20	[.884]	5-146252-9
6	20	9	37.88	[.984]	6-146252-0
6	22	10	42.56	[1.084]	6-146252-1
6	24	11	47.24	[1.184]	6-146252-2
6	26	12	51.92	[1.284]	6-146252-3
6	28	13	56.60	[1.384]	6-146252-4
6	30	14	61.28	[1.484]	6-146252-5
6	32	15	65.96	[1.584]	6-146252-6
6	34	16	70.64	[1.684]	6-146252-7
6	36	17	75.32	[1.784]	6-146252-8
6	38	18	79.99	[1.884]	6-146252-9
6	40	19	84.68	[1.984]	7-146252-0
6	42	20	89.36	[2.084]	7-146252-1
6	44	21	94.04	[2.184]	7-146252-2
6	46	22	98.72	[2.284]	7-146252-3
6	48	23	103.40	[2.384]	7-146252-4
6	50	24	108.08	[2.484]	7-146252-5
6	52	25	112.76	[2.584]	7-146252-6
6	54	26	117.44	[2.684]	7-146252-7
6	56	27	122.12	[2.784]	7-146252-8
6	58	28	126.80	[2.884]	7-146252-9
6	60	29	131.48	[2.984]	8-146252-0
6	62	30	136.16	[3.084]	8-146252-1
6	64	31	140.84	[3.184]	8-146252-2
6	66	32	145.52	[3.284]	8-146252-3
6	68	33	150.20	[3.384]	8-146252-4
6	70	34	154.88	[3.484]	8-146252-5
6	72	35	159.56	[3.584]	8-146252-6
6	74	36	164.24	[3.684]	8-146252-7
6	76	37	168.92	[3.784]	8-146252-8
6	78	38	173.60	[3.884]	8-146252-9
6	80	39	178.28	[3.984]	9-146252-0

PLATING	NO. OF POSITIONS	A	B	C	PART NUMBER
4	2	0	-	[.084]	1-146252-1
4	4	1	2.54	[.184]	1-146252-2
4	6	2	5.08	[.284]	1-146252-3
4	8	3	7.62	[.384]	1-146252-4
4	10	4	10.16	[.484]	1-146252-5
4	12	5	12.70	[.584]	1-146252-6
4	14	6	15.24	[.684]	1-146252-7
4	16	7	17.78	[.784]	1-146252-8
4	18	8	20.32	[.884]	1-146252-9
4	20	9	22.86	[.984]	1-146252-0
4	22	10	25.40	[1.084]	1-146252-1
4	24	11	27.94	[1.184]	1-146252-2
4	26	12	30.48	[1.284]	1-146252-3
4	28	13	33.02	[1.384]	1-146252-4
4	30	14	35.56	[1.484]	1-146252-5
4	32	15	38.10	[1.584]	1-146252-6
4	34	16	40.64	[1.684]	1-146252-7
4	36	17	43.18	[1.784]	1-146252-8
4	38	18	45.72	[1.884]	1-146252-9
4	40	19	48.26	[1.984]	2-146252-0
4	42	20	50.80	[2.084]	2-146252-1
4	44	21	53.34	[2.184]	2-146252-2
4	46	22	55.88	[2.284]	2-146252-3
4	48	23	58.42	[2.384]	2-146252-4
4	50	24	60.96	[2.484]	2-146252-5
4	52	25	63.50	[2.584]	2-146252-6
4	54	26	66.04	[2.684]	2-146252-7
4	56	27	68.58	[2.784]	2-146252-8
4	58	28	71.12	[2.884]	2-146252-9
4	60	29	73.66	[2.984]	3-146252-0
4	62	30	76.20	[3.084]	3-146252-1
4	64	31	78.74	[3.184]	3-146252-2
4	66	32	81.28	[3.284]	3-146252-3
4	68	33	83.82	[3.384]	3-146252-4
4	70	34	86.36	[3.484]	3-146252-5
4	72	35	88.90	[3.584]	3-146252-6
4	74	36	91.44	[3.684]	3-146252-7
4	76	37	93.98	[3.784]	3-146252-8
4	78	38	96.52	[3.884]	3-146252-9
4	80	39	99.06	[3.984]	4-146252-0

THIS DRAWING IS A CONTROLLED DOCUMENT. DATE: 08-05-95. BY: I. HOEFMAN. APPROVED: G. DUBINICKI. TITLE: TE Connectivity.

PRODUCT SPEC: BREAKAWAY, DOUBLE ROW, VERTICAL, HIGH TEMPERATURE. DRAWING NO: 00779. SCALE: 4:1. SHEET 1 OF 1. REV G2.

FINISH: 4 P.L.C. ± 0.127 [0.005], 2 P.L.C. ± 0.254 [0.010], 1 P.L.C. ± 0.508 [0.020], 0 P.L.C. ± 0.762 [0.030].

APPLICATION SPEC: APPLICATION SPEC. WEIGHT: SEE TABLE. MATERIAL: SEE TABLE.

REV	DATE	DESCRIPTION	BY	APP
G2	21JUN2017	REVISED PER ECO-17-008936	RS	MM
G1	01JUL2016	REVISED PER ECO-16-009796	NK	MM

## X-ON Electronics

Largest Supplier of Electrical and Electronic Components

*Click to view similar products for [Headers & Wire Housings](#) category:*

*Click to view products by [TE Connectivity](#) manufacturer:*

Other Similar products are found below :

[95000-104TRLF](#) [10135584-644402LF](#) [DF62W-EP2022PCA](#) [95000-106TRLF](#) [DF62W-2022SCA](#) [DF62W-EP2022PC](#) [2203348](#) [DF62W-2022SC](#) [1084018](#) [1029039](#) [1084017](#) [802-10-012-10-002000](#) [1112640](#) [1112639](#) [000-34000](#) [0009482033](#) [0009507031](#) [57102-S06-03LF](#) [57202-S52-04LF](#) [PCN6-15S-2.5E](#) [0039019024](#) [58102-G61-06LF](#) [582553-1](#) [0009485154](#) [0009508121](#) [0022285053](#) [0050291907](#) [018731A](#) [LY20-4P-DT1-P1E-BR](#) [02.125.8002.8](#) [60101931](#) [60598-1 \(Cut Strip\)](#) [M1625-3R/100](#) [61062-3](#) [61082-181009](#) [636-1427](#) [638009-1](#) [641938-9](#) [641991-4](#) [644168-1](#) [647662-1](#) [65039-019ELF](#) [65817-002LF](#) [65817-015LF](#) [65863-015LF](#) [66207-023LF](#) [67016-026LF](#) [67046-001LF](#) [67095-007LF](#) [67230-005LF](#)