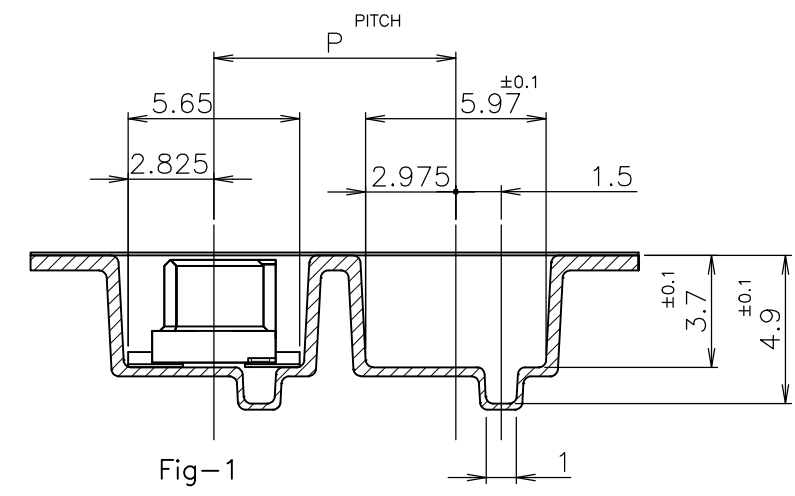
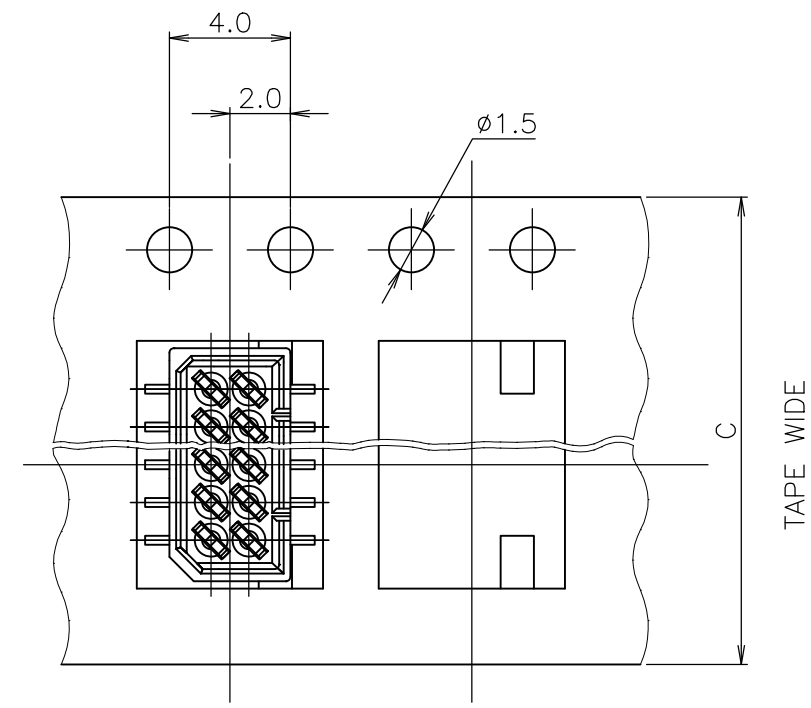
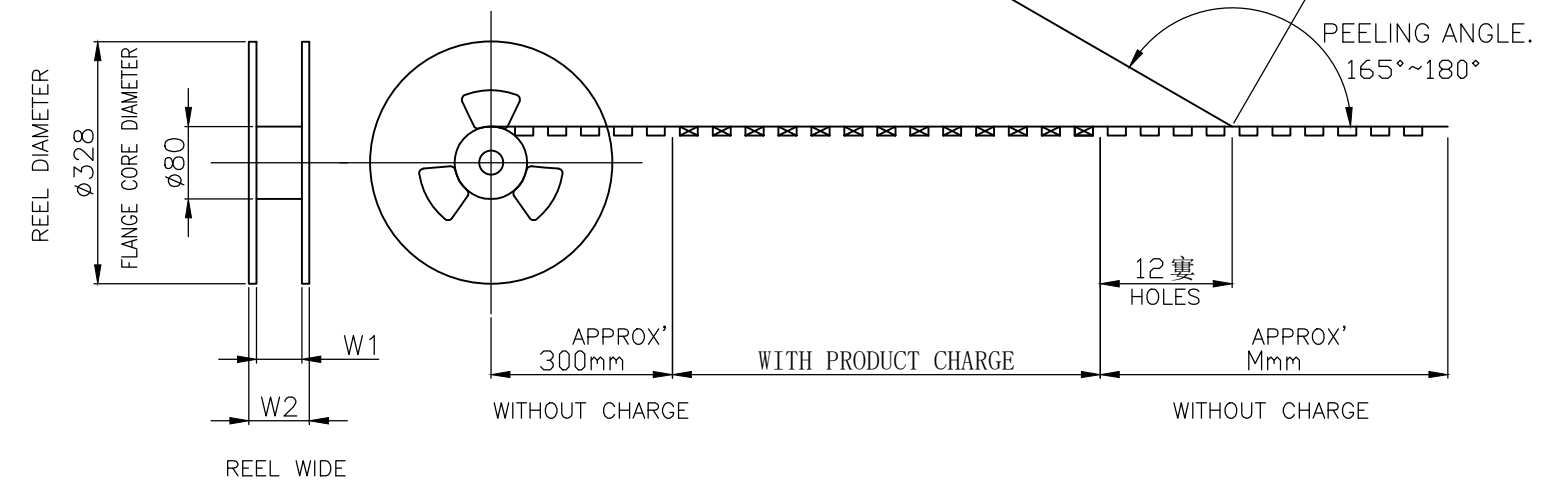


THIS DRAWING IS UNPUBLISHED. RELEASED FOR PUBLICATION  
 © COPYRIGHT By - ALL RIGHTS RESERVED.

REVISIONS					
P	LTR	DESCRIPTION	DATE	DWN	APVD
G		REVISED ECR-14-010014	11NOV2014	I.T	W.H
H		REVISED PER ECO-17-010005	10OCT2017	R.L	S.Y



TOP OF REEL



NOTES;  
 ① PACKING SPEC : 107-5123-1

OBSOLETE								20	2	4	5	0	5	0
OBSOLETE								18	2	3	4	8	4	8
OBSOLETE	29	26	600	12		1000	16		9	4	6	4	6	
								12		8	4	2	4	2
								10	1-720999-1	4	0	4	0	
OBSOLETE	21	18	300	8	16	1500	6	1-912050-3	3-174904-6	3-175630-6				
	W <sub>2</sub>	W <sub>1</sub>	M	P	C	?? (?) QTY/REEL	?? Pos.	?????? ? ? EMBOSS TAPE P/N	????? (???) CONNECTOR P/N	???? ????? TAPING P/N				

WITHOUT POLYAMIDE TAPE

THIS DRAWING IS A CONTROLLED DOCUMENT.		DWN J.TANIGAWA 28MAY88	TE Connectivity	
DIMENSIONS: mm		CHK S.KIKUCHI 30MAY88		
TOLERANCES UNLESS OTHERWISE SPECIFIED:		APVD N.ONOUE 30MAY88	NAME	
0-PLC ± 1-PLC ± 2-PLC ± 3-PLC ± 4-PLC ± ANGLES ± FINISH ±		PRODUCT SPEC	ON TAPING (EMBOSS) 1.25 F-P CONN. DOUBLE ROW REC HDR ASS'Y (V) SMT WITHOUT BOSS	
MATERIAL		APPLICATION SPEC	SIZE	RESTRICTED TO
		WEIGHT	A300779	
		CUSTOMER DRAWING	CAGE CODE	
			DRAWING NO	
			C-175630	
			SCALE	
			NON	
			SHEET	
			1 OF 2	
			REV	
			H	

THIS DRAWING IS UNPUBLISHED.

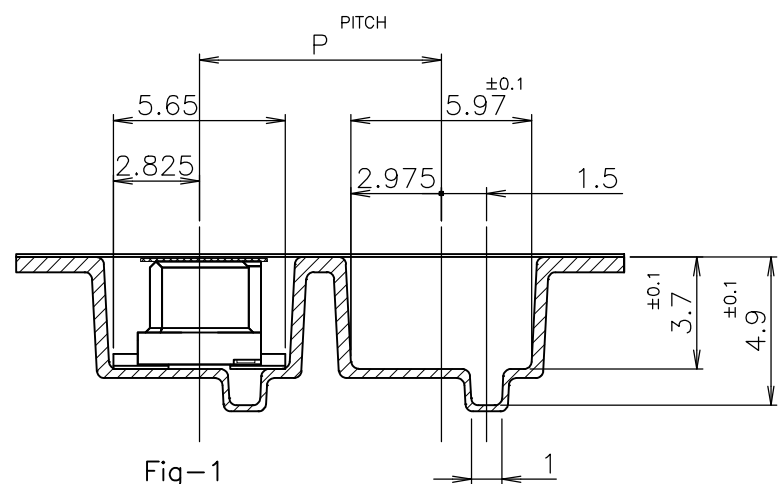
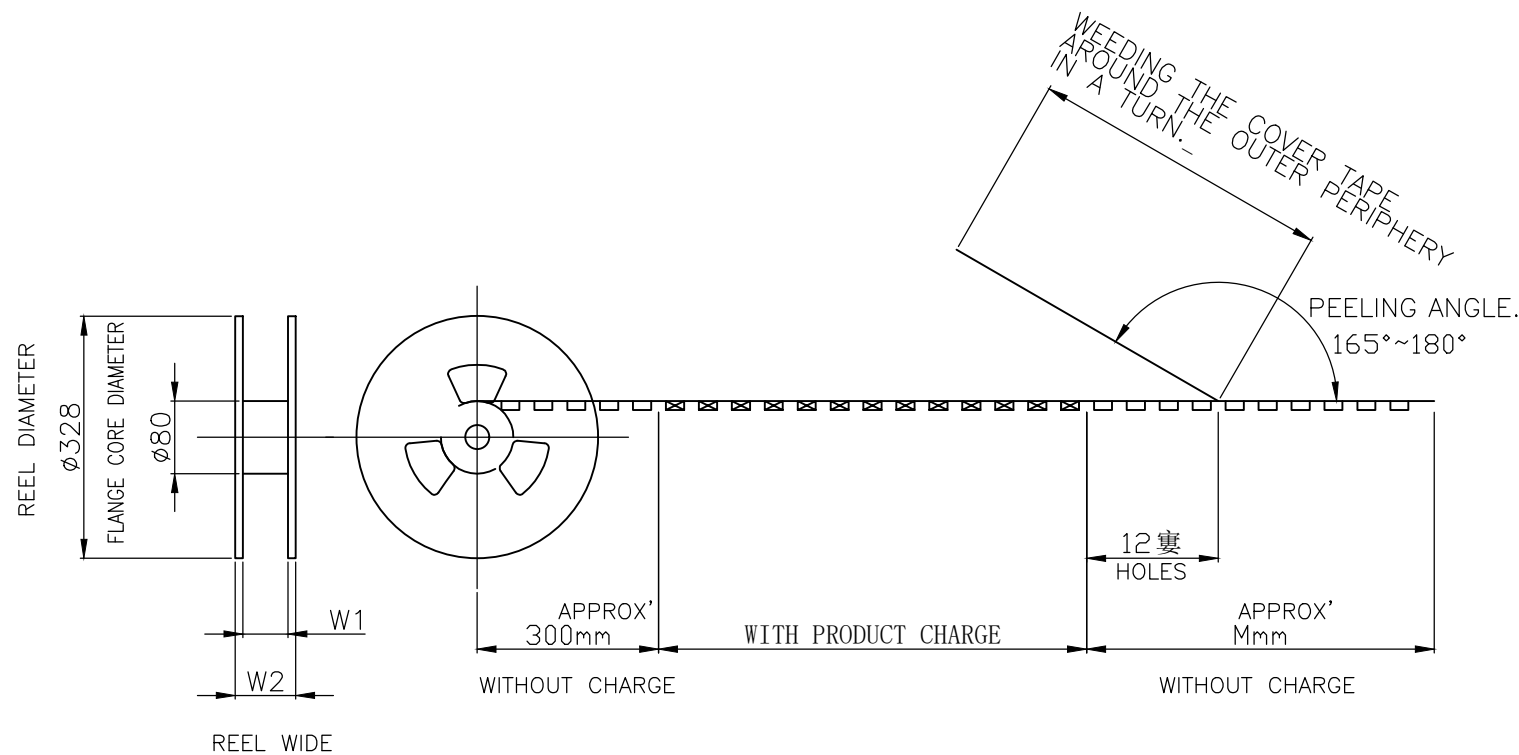
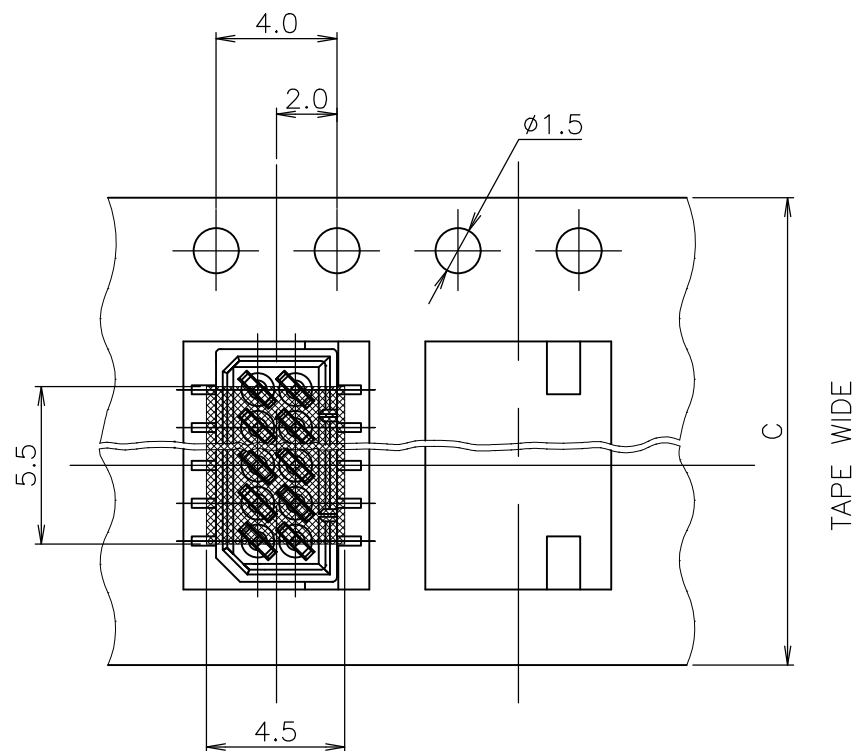
RELEASED FOR PUBLICATION

REVISIONS

© COPYRIGHT By -

ALL RIGHTS RESERVED.

P	LTR	DESCRIPTION	DATE	DWN	APVD
-	-	SEE SHEET 1	-	-	-



TOP OF REEL



29	26	600	12	24	1000	16	720999-9	4-	-6	9-	-6
21	18	300	8	24	1500	14	2-720999-2	4-174904-4		4-175630-4	
W <sub>2</sub>	W <sub>1</sub>	M	P	C	QTY/REEL	Pos.	EMBOSS TAPE P/N	CONNECTOR P/N		SALABLE TAPING P/N	

THIS DRAWING IS A CONTROLLED DOCUMENT.		DWN J.TANIGAWA 28MAY88	<b>STE</b> TE Connectivity			
DIMENSIONS: mm		CHK S.KIKUCHI 30MAY88				
TOLERANCES UNLESS OTHERWISE SPECIFIED:		APVD N.ONOUE 30MAY88	NAME ON TAPING (EMBOSS) 1.25 F-P CONNECTOR B-TO-B DOUBLE ROW REC HDR ASS'Y (V) SMT TYPE WITHOUT BOSS, W/CAP			
0 PLC ±		PRODUCT SPEC	SIZE	CAGE CODE	DRAWING NO	RESTRICTED TO
1 PLC ±		APPLICATION SPEC	A3 00779		C-175630	-
2 PLC ±		WEIGHT	CUSTOMER DRAWING			
3 PLC ±			SCALE	SHEET	REV	
4 PLC ±			NON	2 OF 2	H	
ANGLES ±						
FINISH						

## X-ON Electronics

Largest Supplier of Electrical and Electronic Components

*Click to view similar products for [Board to Board & Mezzanine Connectors](#) category:*

*Click to view products by [TE Connectivity](#) manufacturer:*

Other Similar products are found below :

[10135583-642402LF](#) [89885-310LF](#) [589158040000018](#) [6-1393048-0](#) [68683-613](#) [MDF7-12DP-2.54DSA](#) [MDF7-18P-2.54DSA\(01\)](#) [MDF7-20DP-2.54DSA](#) [MDF7-26D-2.54DSA\(55\)](#) [MDF7-3P-2.54DSA\(01\)](#) [MDF7B-3P-2.54DSA\(55\)](#) [MDF7C-11P-2.54DSA\(55\)](#) [MDF7C-18P-2.54DSA\(55\)](#) [MDF7C-5P-2.54DSA\(01\)](#) [MDF7P-5P-2.54DSA\(55\)](#) [75234-0516](#) [FCN-230C068-11](#) [FCN-268F012-G/BD](#) [FCN-268F036-G/BD](#) [FCN-268M012-G/0D](#) [FCN-268M024-G/1D](#) [FCN-360C008-C](#) [FCN-360C040-C](#) [FCN-723J004/1](#) [MIS-048-01-F-D-DP-K](#) [832-10-034-10-001000](#) [93696-325LF](#) [11828-1FA](#) [AXK630345P](#) [18097-0013](#) [ICA-328STT](#) [2007042-2](#) [304400-2](#) [FCN-214Q030-G/0](#) [FCN-215Q040-G/0](#) [FCN-230C068-ESA](#) [FCN-234P048-G/0](#) [FCN-235D050-G/C](#) [FCN-360A3](#) [FCN-360C040-B](#) [210-93-314-41-105000](#) [2-22603-0](#) [379-064-521-202](#) [MDF7-12P-2.54DSA\(01\)](#) [MDF7-16P-2.54DS\(56\)](#) [MDF7-40DP-2.54DSA\(55\)](#) [MDF7-8P-2.54DSA\(55\)](#) [MDF7B-16P-2.54DSA\(55\)](#) [AXG720047](#) [5031084030](#)