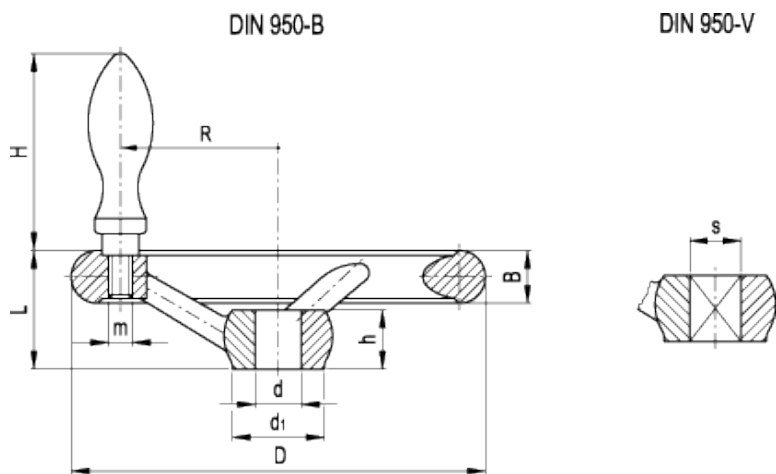


DIN 950-D

Spoked handwheels with revolving handle



technical informations

Material

- Version GG: nodular cast iron, turned and mirror-polished rim.
- Version AL: cast aluminium, turned and polished rim.

Assembly

- Version B: H7 reamed hole.
 - Version K: H7 reamed hole and keyway in compliance with [DIN 6885/1 P9 tolerance](#).
 - Version V: H11 square mounting hole (not available for D=140 and D=180).
- For fixing DIN 950-D on shafts by a grub screw see [Technical Data](#).

Revolving handle

- Version GG: type [DIN 98](#) turned and mirror-polished steel.
- Version AL: type [DIN 98](#) polyamide-based (PA) black technopolymer.

Accessories on request

Axial retaining washer type [GN 184](#).

| Standard Elements | | Main dimensions | | | | Bore | | | Handle | | | | Spokes no. | Weight |
|----------------------|--|-----------------|----|----|----------------|-----------------|------------------|----|--------|----|-----|-----|------------|--------|
| Description | | D | L | B | d ₁ | d _{H7} | s _{H11} | h | H | Ø | m | R | | nr. |
| DIN 950-GG-80-B10-D | | 80 | 29 | 14 | 24 | 10 | - | 16 | 53 | 16 | M6 | 27 | 3 | 357 |
| DIN 950-GG-80-B12-D | | 80 | 29 | 14 | 24 | 12 | - | 16 | 53 | 16 | M6 | 27 | 3 | 350 |
| DIN 950-GG-80-K10-D | | 80 | 29 | 14 | 24 | 10 | - | 16 | 53 | 16 | M6 | 27 | 3 | 347 |
| DIN 950-GG-80-K12-D | | 80 | 29 | 14 | 24 | 12 | - | 16 | 53 | 16 | M6 | 27 | 3 | 340 |
| DIN 950-GG-80-V9-D | | 80 | 29 | 14 | 24 | - | 9x9 | 16 | 53 | 16 | M6 | 27 | 3 | 355 |
| DIN 950-GG-100-B10-D | | 100 | 33 | 15 | 26 | 10 | - | 17 | 53 | 16 | M6 | 36 | 3 | 554 |
| DIN 950-GG-100-B12-D | | 100 | 33 | 15 | 26 | 12 | - | 17 | 53 | 16 | M6 | 36 | 3 | 549 |
| DIN 950-GG-100-K10-D | | 100 | 33 | 15 | 26 | 10 | - | 17 | 53 | 16 | M6 | 36 | 3 | 551 |
| DIN 950-GG-100-K12-D | | 100 | 33 | 15 | 26 | 12 | - | 17 | 53 | 16 | M6 | 36 | 3 | 546 |
| DIN 950-GG-100-V9-D | | 100 | 33 | 15 | 26 | - | 9x9 | 17 | 53 | 16 | M6 | 36 | 3 | 237 |
| DIN 950-GG-125-B12-D | | 125 | 36 | 16 | 28 | 12 | - | 18 | 65 | 20 | M8 | 47 | 3 | 768 |
| DIN 950-GG-125-B14-D | | 125 | 36 | 16 | 28 | 14 | - | 18 | 65 | 20 | M8 | 47 | 3 | 764 |
| DIN 950-GG-125-K12-D | | 125 | 36 | 16 | 28 | 12 | - | 18 | 65 | 20 | M8 | 47 | 3 | 764 |
| DIN 950-GG-125-K14-D | | 125 | 36 | 16 | 28 | 14 | - | 18 | 65 | 20 | M8 | 47 | 3 | 760 |
| DIN 950-GG-125-V11-D | | 125 | 36 | 16 | 28 | - | 11x11 | 18 | 65 | 20 | M8 | 47 | 3 | 758 |
| DIN 950-GG-140-B14-D | | 140 | 39 | 17 | 30 | 14 | - | 19 | 65 | 20 | M8 | 52 | 3 | 1031 |
| DIN 950-GG-140-B16-D | | 140 | 39 | 17 | 30 | 16 | - | 19 | 65 | 20 | M8 | 52 | 3 | 1017 |
| DIN 950-GG-140-K14-D | | 140 | 39 | 17 | 30 | 14 | - | 19 | 65 | 20 | M8 | 52 | 3 | 1025 |
| DIN 950-GG-140-K16-D | | 140 | 39 | 17 | 30 | 16 | - | 19 | 65 | 20 | M8 | 52 | 3 | 1011 |
| DIN 950-GG-160-B14-D | | 160 | 40 | 18 | 33 | 14 | - | 20 | 80 | 25 | M10 | 62 | 3 | 1218 |
| DIN 950-GG-160-B16-D | | 160 | 40 | 18 | 33 | 16 | - | 20 | 80 | 25 | M10 | 62 | 3 | 1212 |
| DIN 950-GG-160-K14-D | | 160 | 40 | 18 | 33 | 14 | - | 20 | 80 | 25 | M10 | 62 | 3 | 1210 |
| DIN 950-GG-160-K16-D | | 160 | 40 | 18 | 33 | 16 | - | 20 | 80 | 25 | M10 | 62 | 3 | 1204 |
| DIN 950-GG-160-V12-D | | 160 | 40 | 18 | 33 | - | 12x12 | 20 | 80 | 25 | M10 | 62 | 3 | 1208 |
| DIN 950-GG-180-B16-D | | 180 | 43 | 20 | 35 | 16 | - | 22 | 80 | 25 | M10 | 72 | 3 | 1778 |
| DIN 950-GG-180-B18-D | | 180 | 43 | 20 | 35 | 18 | - | 22 | 80 | 25 | M10 | 72 | 3 | 1770 |
| DIN 950-GG-180-K16-D | | 180 | 43 | 20 | 35 | 16 | - | 22 | 80 | 25 | M10 | 72 | 3 | 1769 |
| DIN 950-GG-180-K18-D | | 180 | 43 | 20 | 35 | 18 | - | 22 | 80 | 25 | M10 | 72 | 3 | 1761 |
| DIN 950-GG-200-B18-D | | 200 | 45 | 22 | 38 | 18 | - | 24 | 80 | 25 | M10 | 80 | 3 | 2335 |
| DIN 950-GG-200-B20-D | | 200 | 45 | 22 | 38 | 20 | - | 24 | 80 | 25 | M10 | 80 | 3 | 2327 |
| DIN 950-GG-200-K18-D | | 200 | 45 | 22 | 38 | 18 | - | 24 | 80 | 25 | M10 | 80 | 3 | 2325 |
| DIN 950-GG-200-K20-D | | 200 | 45 | 22 | 38 | 20 | - | 24 | 80 | 25 | M10 | 80 | 3 | 2317 |
| DIN 950-GG-200-V14-D | | 200 | 45 | 22 | 38 | - | 14x14 | 24 | 80 | 25 | M10 | 80 | 3 | 2331 |
| DIN 950-GG-250-B22-D | | 250 | 50 | 26 | 45 | 22 | - | 28 | 102 | 32 | M12 | 101 | 5 | 4174 |
| DIN 950-GG-250-B24-D | | 250 | 50 | 26 | 45 | 24 | - | 28 | 102 | 32 | M12 | 101 | 5 | 4156 |
| DIN 950-GG-250-K22-D | | 250 | 50 | 26 | 45 | 22 | - | 28 | 102 | 32 | M12 | 101 | 5 | 4163 |
| DIN 950-GG-250-K24-D | | 250 | 50 | 26 | 45 | 24 | - | 28 | 102 | 32 | M12 | 101 | 5 | 4145 |
| DIN 950-GG-250-V17-D | | 250 | 50 | 26 | 45 | - | 17x17 | 28 | 102 | 32 | M12 | 101 | 5 | 4236 |
| DIN 950-GG-315-B26-D | | 315 | 56 | 28 | 53 | 26 | - | 33 | 102 | 32 | M12 | 132 | 5 | 6360 |
| DIN 950-GG-315-B30-D | | 315 | 56 | 28 | 53 | 30 | - | 33 | 102 | 32 | M12 | 132 | 5 | 6319 |
| DIN 950-GG-315-K26-D | | 315 | 56 | 28 | 53 | 26 | - | 33 | 102 | 32 | M12 | 132 | 5 | 6492 |
| DIN 950-GG-315-K30-D | | 315 | 56 | 28 | 53 | 30 | - | 33 | 102 | 32 | M12 | 132 | 5 | 6476 |

| | | | | | | | | | | | | | |
|----------------------|-----|----|----|----|----|-------|----|-----|----|-----|-----|---|-------|
| DIN 950-GG-315-V19-D | 315 | 56 | 28 | 53 | - | 19x19 | 33 | 102 | 32 | M12 | 132 | 5 | 6520 |
| DIN 950-GG-400-B30-D | 400 | 63 | 32 | 65 | 30 | - | 38 | 102 | 32 | M12 | 171 | 5 | 10813 |
| DIN 950-GG-400-B34-D | 400 | 63 | 32 | 65 | 34 | - | 38 | 102 | 32 | M12 | 171 | 5 | 10720 |
| DIN 950-GG-400-K30-D | 400 | 63 | 32 | 65 | 30 | - | 38 | 102 | 32 | M12 | 171 | 5 | 10799 |
| DIN 950-GG-400-K34-D | 400 | 63 | 32 | 65 | 34 | - | 38 | 102 | 32 | M12 | 171 | 5 | 10706 |
| DIN 950-GG-400-V24-D | 400 | 63 | 32 | 65 | - | 24x24 | 38 | 102 | 32 | M12 | 171 | 5 | 10984 |
| DIN 950-GG-500-B34-D | 500 | 72 | 34 | 78 | 34 | - | 45 | 102 | 32 | M12 | 220 | 5 | 15764 |
| DIN 950-GG-500-B40-D | 500 | 72 | 34 | 78 | 40 | - | 45 | 102 | 32 | M12 | 220 | 5 | 15604 |
| DIN 950-GG-500-K34-D | 500 | 72 | 34 | 78 | 34 | - | 45 | 102 | 32 | M12 | 220 | 5 | 15749 |
| DIN 950-GG-500-K40-D | 500 | 72 | 34 | 78 | 40 | - | 45 | 102 | 32 | M12 | 220 | 5 | 15589 |
| DIN 950-GG-500-V27-D | 500 | 72 | 34 | 78 | - | 27x27 | 45 | 102 | 32 | M12 | 220 | 5 | 15952 |
| DIN 950-AL-80-B10-D | 80 | 29 | 14 | 24 | 10 | - | 16 | 53 | 16 | M6 | 27 | 3 | 158 |
| DIN 950-AL-80-B12-D | 80 | 29 | 14 | 24 | 12 | - | 16 | 53 | 16 | M6 | 27 | 3 | 154 |
| DIN 950-AL-80-K10-D | 80 | 29 | 14 | 24 | 10 | - | 16 | 53 | 16 | M6 | 27 | 3 | 156 |
| DIN 950-AL-80-K12-D | 80 | 29 | 14 | 24 | 12 | - | 16 | 53 | 16 | M6 | 27 | 3 | 152 |
| DIN 950-AL-80-V9-D | 80 | 29 | 14 | 24 | - | 9x9 | 16 | 53 | 16 | M6 | 27 | 3 | 156 |
| DIN 950-AL-100-B10-D | 100 | 33 | 15 | 26 | 10 | - | 17 | 53 | 16 | M6 | 36 | 3 | 238 |
| DIN 950-AL-100-B12-D | 100 | 33 | 15 | 26 | 12 | - | 17 | 53 | 16 | M6 | 36 | 3 | 234 |
| DIN 950-AL-100-K10-D | 100 | 33 | 15 | 26 | 10 | - | 17 | 53 | 16 | M6 | 36 | 3 | 236 |
| DIN 950-AL-100-K12-D | 100 | 33 | 15 | 26 | 12 | - | 17 | 53 | 16 | M6 | 36 | 3 | 232 |
| DIN 950-AL-100-V9-D | 100 | 33 | 15 | 26 | - | 9x9 | 17 | 53 | 16 | M6 | 36 | 3 | 237 |
| DIN 950-AL-125-B12-D | 125 | 36 | 16 | 28 | 12 | - | 18 | 65 | 20 | M8 | 47 | 3 | 344 |
| DIN 950-AL-125-B14-D | 125 | 36 | 16 | 28 | 14 | - | 18 | 65 | 20 | M8 | 47 | 3 | 341 |
| DIN 950-AL-125-K12-D | 125 | 36 | 16 | 28 | 12 | - | 18 | 65 | 20 | M8 | 47 | 3 | 342 |
| DIN 950-AL-125-K14-D | 125 | 36 | 16 | 28 | 14 | - | 18 | 65 | 20 | M8 | 47 | 3 | 399 |
| DIN 950-AL-125-V11-D | 125 | 36 | 16 | 28 | - | 11x11 | 18 | 65 | 20 | M8 | 47 | 3 | 342 |
| DIN 950-AL-140-B14-D | 140 | 39 | 17 | 30 | 14 | - | 19 | 65 | 20 | M8 | 52 | 3 | 400 |
| DIN 950-AL-140-B16-D | 140 | 39 | 17 | 30 | 16 | - | 19 | 65 | 20 | M8 | 52 | 3 | 378 |
| DIN 950-AL-140-K14-D | 140 | 39 | 17 | 30 | 14 | - | 19 | 65 | 20 | M8 | 52 | 3 | 437 |
| DIN 950-AL-140-K16-D | 140 | 39 | 17 | 30 | 16 | - | 19 | 65 | 20 | M8 | 52 | 3 | 435 |
| DIN 950-AL-160-B14-D | 160 | 40 | 18 | 33 | 14 | - | 20 | 80 | 25 | M10 | 62 | 3 | 602 |
| DIN 950-AL-160-B16-D | 160 | 40 | 18 | 33 | 16 | - | 20 | 80 | 25 | M10 | 62 | 3 | 597 |
| DIN 950-AL-160-K14-D | 160 | 40 | 18 | 33 | 14 | - | 20 | 80 | 25 | M10 | 62 | 3 | 599 |
| DIN 950-AL-160-K16-D | 160 | 40 | 18 | 33 | 16 | - | 20 | 80 | 25 | M10 | 62 | 3 | 594 |
| DIN 950-AL-160-V12-D | 160 | 40 | 18 | 33 | - | 12x12 | 20 | 80 | 25 | M10 | 62 | 3 | 600 |
| DIN 950-AL-180-B16-D | 180 | 43 | 20 | 35 | 16 | - | 22 | 80 | 25 | M10 | 72 | 3 | 755 |
| DIN 950-AL-180-B18-D | 180 | 43 | 20 | 35 | 18 | - | 22 | 80 | 25 | M10 | 72 | 3 | 751 |
| DIN 950-AL-180-K16-D | 180 | 43 | 20 | 35 | 16 | - | 22 | 80 | 25 | M10 | 72 | 3 | 755 |
| DIN 950-AL-180-K18-D | 180 | 43 | 20 | 35 | 18 | - | 22 | 80 | 25 | M10 | 72 | 3 | 751 |
| DIN 950-AL-200-B18-D | 200 | 45 | 22 | 38 | 18 | - | 24 | 80 | 25 | M10 | 80 | 3 | 954 |
| DIN 950-AL-200-B20-D | 200 | 45 | 22 | 38 | 20 | - | 24 | 80 | 25 | M10 | 80 | 3 | 936 |
| DIN 950-AL-200-K18-D | 200 | 45 | 22 | 38 | 18 | - | 24 | 80 | 25 | M10 | 80 | 3 | 950 |
| DIN 950-AL-200-K20-D | 200 | 45 | 22 | 38 | 20 | - | 24 | 80 | 25 | M10 | 80 | 3 | 932 |
| DIN 950-AL-200-V14-D | 200 | 45 | 22 | 38 | - | 14x14 | 24 | 80 | 25 | M10 | 80 | 3 | 970 |

| | | | | | | | | | | | | | |
|----------------------|-----|----|----|----|----|-------|----|-----|----|-----|-----|---|------|
| DIN 950-AL-250-B22-D | 250 | 50 | 26 | 45 | 22 | - | 28 | 102 | 32 | M12 | 101 | 5 | 1811 |
| DIN 950-AL-250-B24-D | 250 | 50 | 26 | 45 | 24 | - | 28 | 102 | 32 | M12 | 101 | 5 | 1801 |
| DIN 950-AL-250-K22-D | 250 | 50 | 26 | 45 | 22 | - | 28 | 102 | 32 | M12 | 101 | 5 | 1806 |
| DIN 950-AL-250-K24-D | 250 | 50 | 26 | 45 | 24 | - | 28 | 102 | 32 | M12 | 101 | 5 | 1794 |
| DIN 950-AL-250-V17-D | 250 | 50 | 26 | 45 | - | 17x17 | 28 | 102 | 32 | M12 | 101 | 5 | 1815 |
| DIN 950-AL-315-B26-D | 315 | 56 | 28 | 53 | 26 | - | 33 | 102 | 32 | M12 | 132 | 5 | 2712 |
| DIN 950-AL-315-B30-D | 315 | 56 | 28 | 53 | 30 | - | 33 | 102 | 32 | M12 | 132 | 5 | 2695 |
| DIN 950-AL-315-K26-D | 315 | 56 | 28 | 53 | 26 | - | 33 | 102 | 32 | M12 | 132 | 5 | 2630 |
| DIN 950-AL-315-K30-D | 315 | 56 | 28 | 53 | 30 | - | 33 | 102 | 32 | M12 | 132 | 5 | 2620 |
| DIN 950-AL-315-V19-D | 315 | 56 | 28 | 53 | - | 19x19 | 33 | 102 | 32 | M12 | 132 | 5 | 2722 |
| DIN 950-AL-400-B30-D | 400 | 63 | 32 | 65 | 30 | - | 38 | 102 | 32 | M12 | 171 | 5 | 4221 |
| DIN 950-AL-400-B34-D | 400 | 63 | 32 | 65 | 34 | - | 38 | 102 | 32 | M12 | 171 | 5 | 4178 |
| DIN 950-AL-400-K30-D | 400 | 63 | 32 | 65 | 30 | - | 38 | 102 | 32 | M12 | 171 | 5 | 4212 |
| DIN 950-AL-400-K34-D | 400 | 63 | 32 | 65 | 34 | - | 38 | 102 | 32 | M12 | 171 | 5 | 4169 |
| DIN 950-AL-400-V24-D | 400 | 63 | 32 | 65 | - | 24x24 | 38 | 102 | 32 | M12 | 171 | 5 | 4238 |
| DIN 950-AL-500-B34-D | 500 | 72 | 34 | 78 | 34 | - | 45 | 102 | 32 | M12 | 220 | 5 | 6032 |
| DIN 950-AL-500-B40-D | 500 | 72 | 34 | 78 | 40 | - | 45 | 102 | 32 | M12 | 220 | 5 | 5962 |
| DIN 950-AL-500-K34-D | 500 | 72 | 34 | 78 | 34 | - | 45 | 102 | 32 | M12 | 220 | 5 | 6022 |
| DIN 950-AL-500-K40-D | 500 | 72 | 34 | 78 | 40 | - | 45 | 102 | 32 | M12 | 220 | 5 | 5952 |
| DIN 950-AL-500-V27-D | 500 | 72 | 34 | 78 | - | 27x27 | 45 | 102 | 32 | M12 | 220 | 5 | 6057 |



ELESA and GANTER models all rights reserved in accordance with the law. Always mention the source when reproducing our drawings.

STANDARD MACHINE ELEMENTS WORLDWIDE

X-ON Electronics

Largest Supplier of Electrical and Electronic Components

Click to view similar products for [Knobs & Dials](#) category:

Click to view products by [Elesa & Ganter](#) manufacturer:

Other Similar products are found below :

[015-2-11](#) [61-9028.20](#) [61-9028.9](#) [8529](#) [8573](#) [11K5015-EMNB](#) [11K5019-ECNB](#) [11K5020-KLAB](#) [11K5028-JMNG](#) [11K5048-KMNB](#) [11K5014-EMNB](#) [11K5019-EMNB](#) [11K5029-KMNG](#) [P400S-08-D6-N](#) [K6510](#) [KNSL500B1/8](#) [27708-2](#) [T48901](#) [AL811BA18](#) [420031B18](#) [5006](#) [51216](#) (GREY) [KB700BA1/4](#) [KS700B14](#) [411](#) [5149A](#) [028-1-11](#) [52-928.20](#) [52-928.60](#) [52-928.9](#) [8517](#) [8545](#) [8546](#) [8570](#) [8572](#) [H-516-3A](#) [P861H-0X-S6](#) [8544](#) [11K5014-JMNG](#) [11K5014-KMNG](#) [11K5014-ECNG](#) [5700E](#) [KA500B18](#) [KFS600B14](#) [KN900AB14](#) [KFS500B14](#) [KNS501B18](#) [PKD60B1018](#) [PK1100B18](#) [PKES140B14](#)