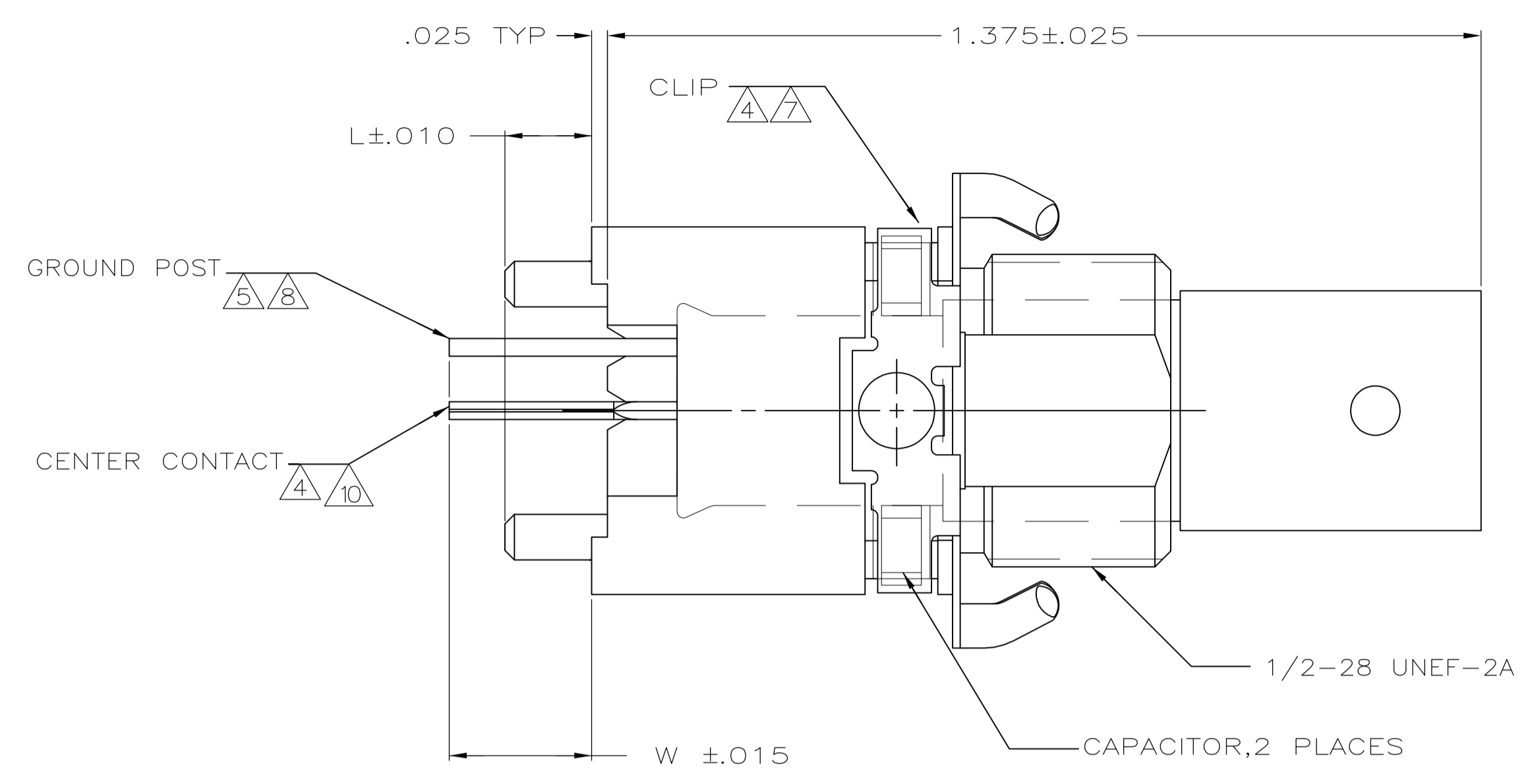
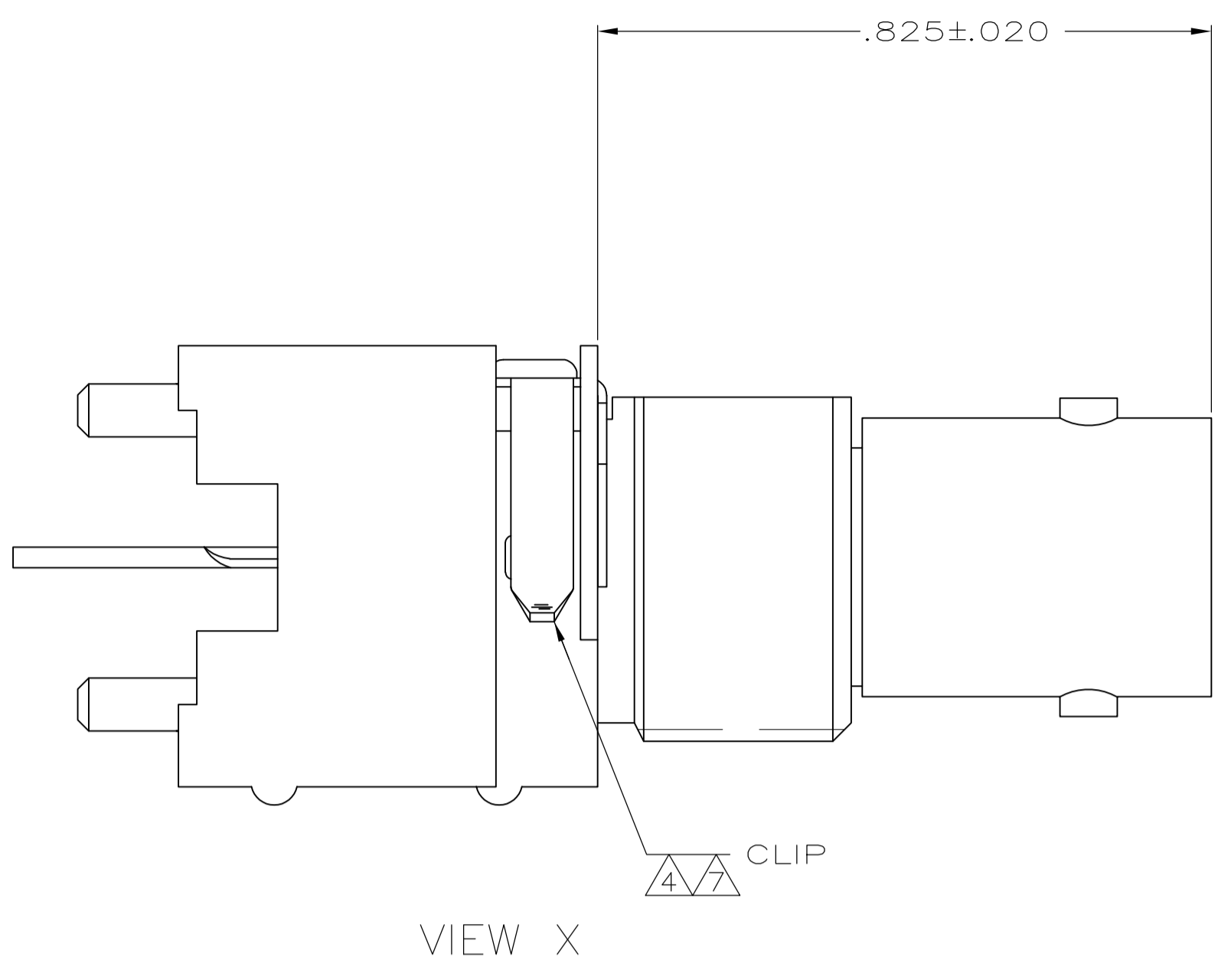
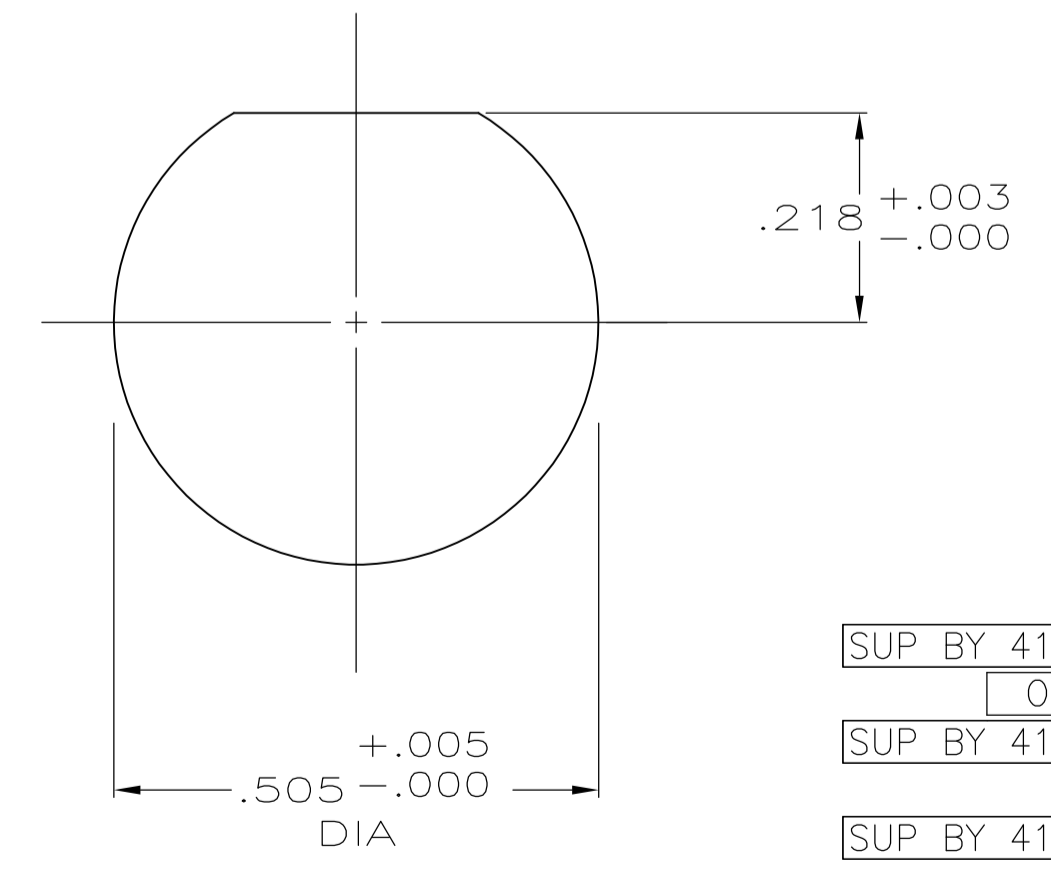
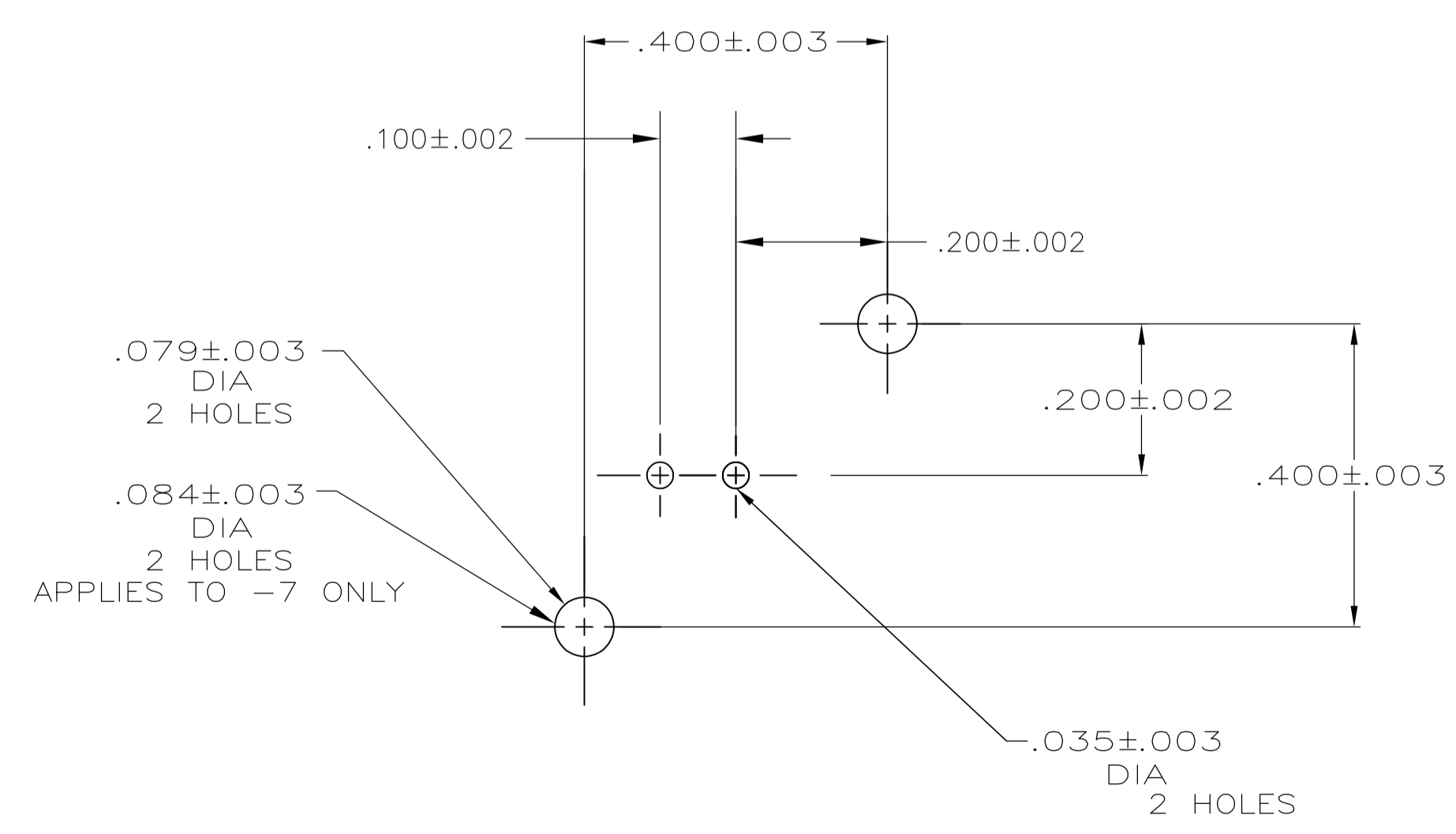
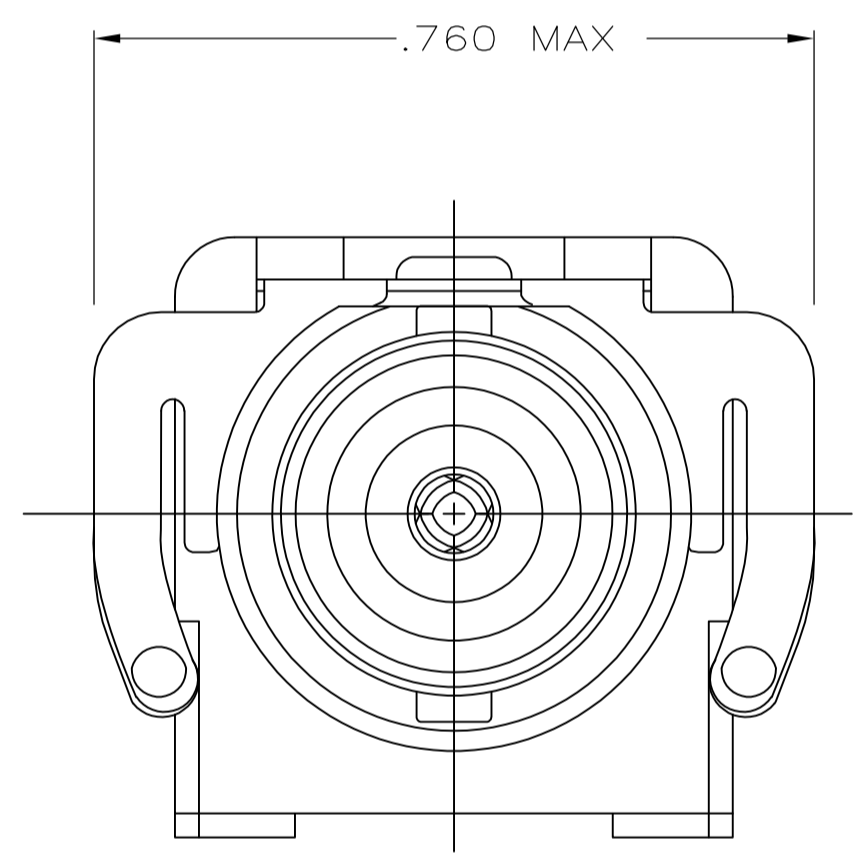
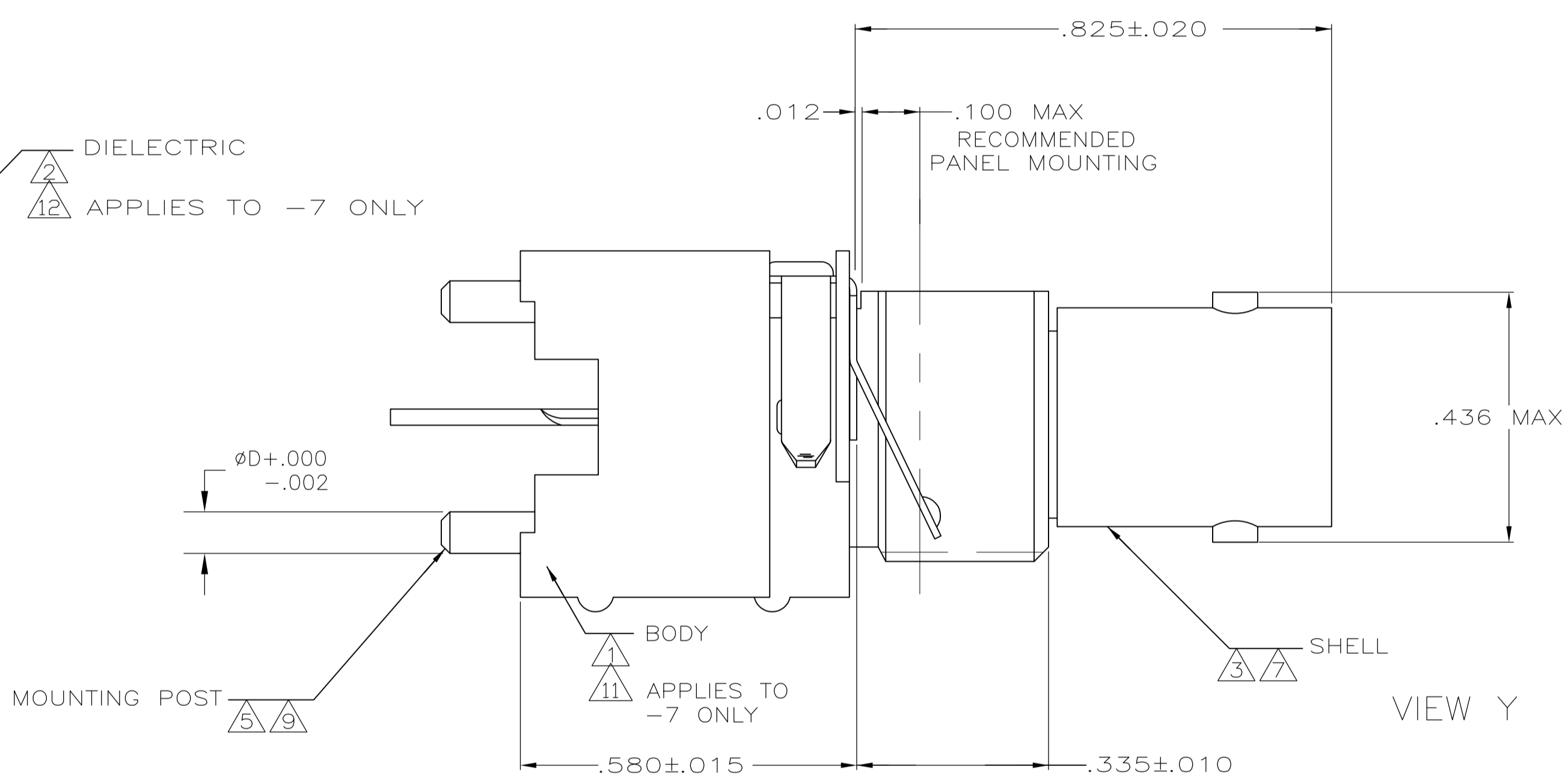
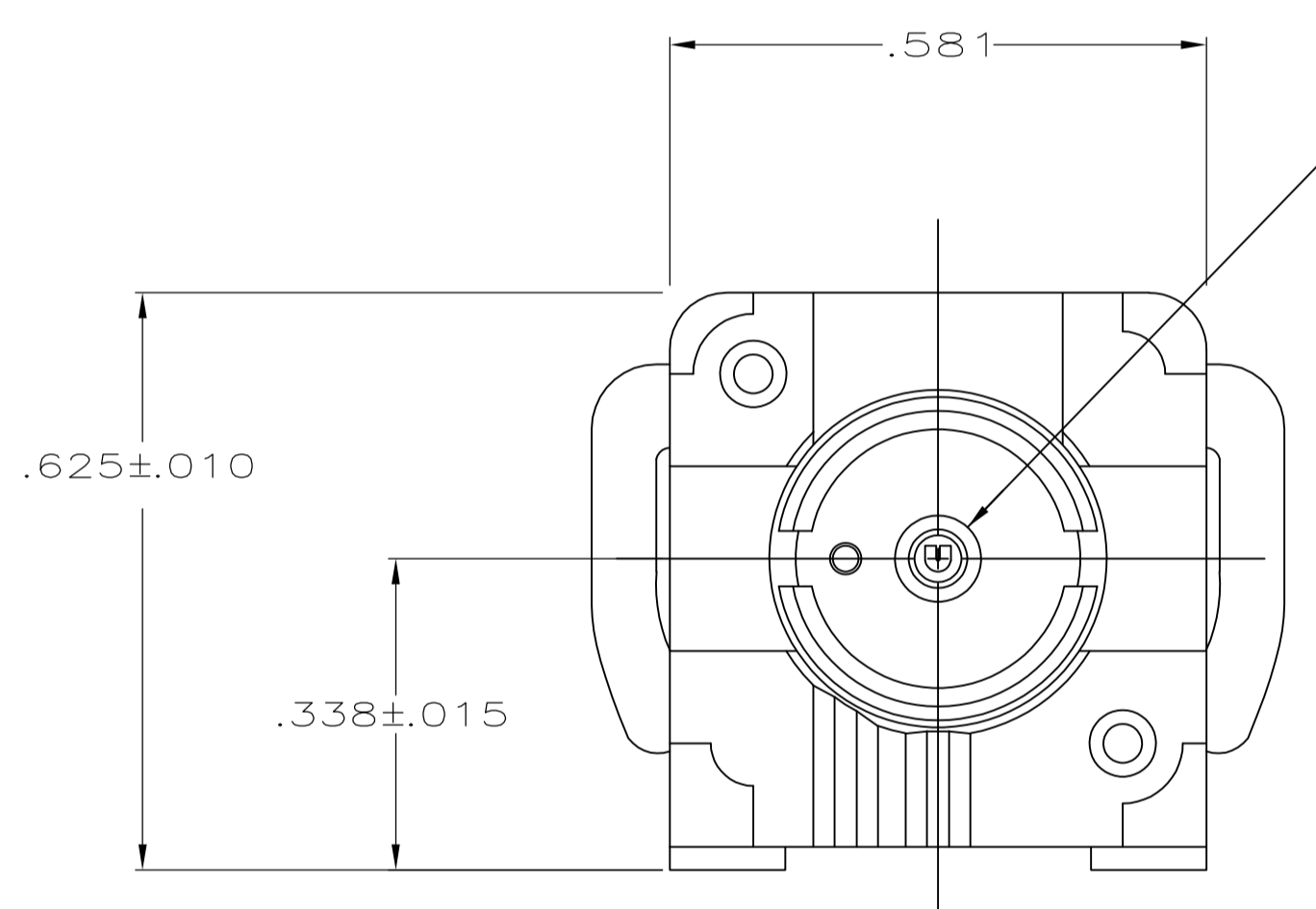


LOC		DIST		REVISIONS			
REV	DATE	BY	CHK	DESCRIPTION	DATE	DMN	APVD
V	7/21/2008	DW	JL	REVISED PER ECO-08-009474			
W	10/9/2009	AEG	WKE	REVISED PER ECO-09-005412			
W1	13JAN10	KK	AEG	REVISED PER ECO-10-000443			



- 1 POLYESTER, PBT, BLACK, PER MIL-M-24519
- 2 POLYMETHYLPENTENE GENERAL PURPOSE
- 3 ZINC PER QQ-Z-363
- 4 PHOSPHOR BRONZE PER QQ-B-750
- 5 BRASS PER QQ-B-626
- 6 BRASS PER ASTM-B-453
- 7 NICKEL PL PER QQ-N-290
- 8 TIN PL PER ASTM-B-545
- 9 TIN PL PER ASTM-B-545
- 10 SELECTIVELY GOLD PLATED ON INTERFACE AREA PER: MIL-G-45204, .000030 THK, TIN PLATED ON SOLDER TAIL PER: ASTM-B-545, ALL OVER NICKEL PL PER: QQ-N-290
- 11 POLYESTER, PCT, BLACK, GENERAL PURPOSE
- 12 PTFE PER ASTM-D-1710
- 13 TRAY PACKAGING.



W	øD	L	CLIP VIEW	CAPACITANCE AND VOLTAGE	PART NUMBER
	.169 +.008 -.007	.077	.137	Y	9400 pf, 1500 VDC 413476-7
	.225	.072	.158	Y	9400 pf, 1500 VDC 413476-6
SUP BY 413476-6	.225	.072	.231	Y	9400 pf, 1500 VDC 413476-5
OBSOLETE	.225	.072	.137	X	9400 pf, 1500 VDC 413476-4
SUP BY 413476-2	.225	.072	.137	X	9400 pf, 500 VDC 413476-3
	.225	.072	.137	Y	9400 pf, 1500 VDC 413476-2
SUP BY 413476-2	.225	.072	.137	Y	9400 pf, 500 VDC 413476-1

THIS DRAWING IS A CONTROLLED DOCUMENT.

DIMENSIONS: INCHES  
 TOLERANCES UNLESS OTHERWISE SPECIFIED:  
 0 PL ± -  
 1 PL ± -  
 2 PL ± -  
 3 PL ± .008  
 4 PL ± -  
 ANGLES ± -

MATERIAL: 1-6, 11, 12  
 FINISH: 7, 8, 9, 10

THIS DRAWING IS A CONTROLLED DOCUMENT.  
 DWG: P. KERLIN 5/3/90  
 CHK: R.E. RUTH 5/18/90  
 NAME: Tyco Electronics  
 Tyco Electronics Corporation  
 Harrisburg, Pa 17105-3608  
 PRODUCT SPEC: 108-1269  
 APPLICATION SPEC: -  
 SIZE: A1  
 CAGE CODE: 00779  
 DRAWING NO: 413476  
 RESTRICTED TO: -  
 WEIGHT: -  
 CUSTOMER DRAWING  
 SCALE: 5:1  
 SHEET: 1 of 1  
 REV: W1

## X-ON Electronics

Largest Supplier of Electrical and Electronic Components

*Click to view similar products for [RF Connectors / Coaxial Connectors](#) category:*

*Click to view products by [TE Connectivity](#) manufacturer:*

Other Similar products are found below :

[R125315120](#) [8915-1511-000](#) [89674-0827](#) [5916-1103-603](#) [0106-001-000](#) [6-0001-3](#) [6001-7071-019](#) [6002-7051-003](#) [6002-7551-202](#) [6059674-1](#) [619550-1](#) [630059-000](#) [M39012/25-0021](#) [M39012/79-3008](#) [M39030/3-01N](#) [M39030/3-03N](#) [M3933/25-36N](#) [6500-7071-046](#) [6501-1071-002](#) [M83723/72W2457N](#) [6769](#) [CX050L2AQ](#) [7002-1541-010](#) [7002-1572-002](#) [7003-1572-002](#) [7004-1512-000](#) [7009-1511-004](#) [7010-1511-000](#) [7029-1511-060](#) [7101-1541-010](#) [7101-1571-002](#) [7105-1521-002](#) [7145-1521-002](#) [7209-1511-011](#) [7210-1511-012](#) [7210-1511-015](#) [7210-1511-019](#) [7210-1511-040](#) [7225-1512-050](#) [7242-1511-000](#) [73137-5015](#) [73251-0111](#) [73251-0672](#) [73276-1501](#) [73366-0013](#) [73404-2300](#) [73413-6080](#) [73415-5721](#) [7405-1521-005](#) [7405-1521-802](#)