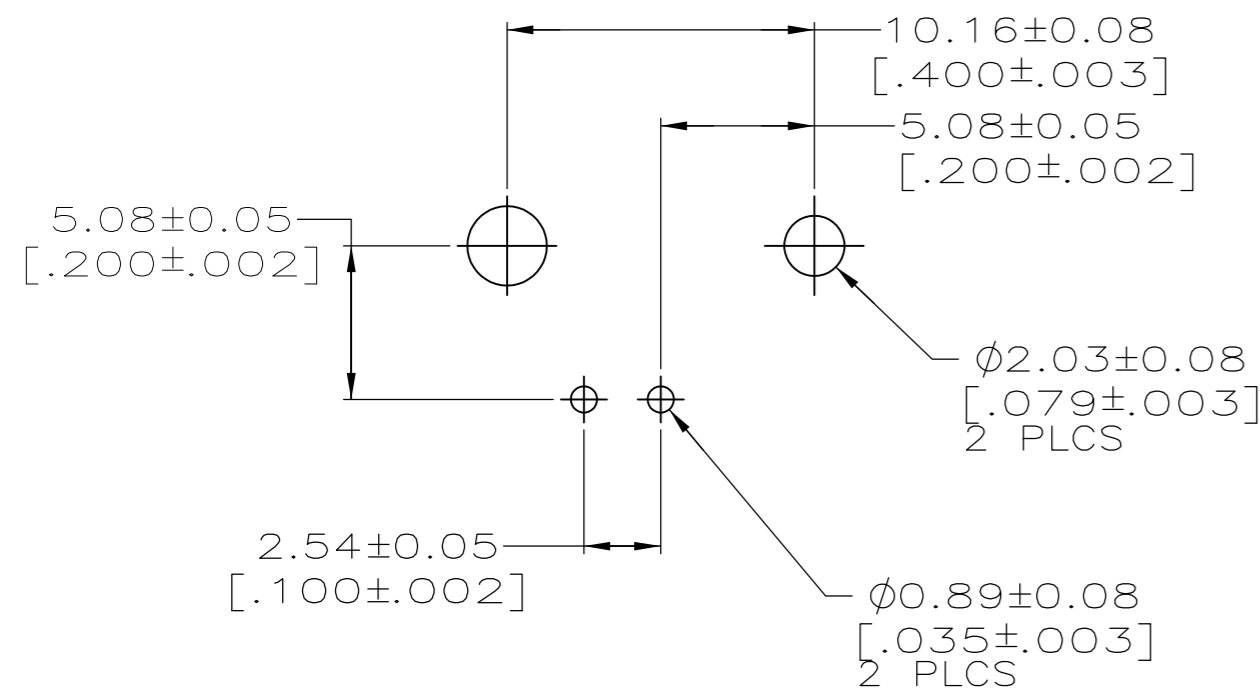
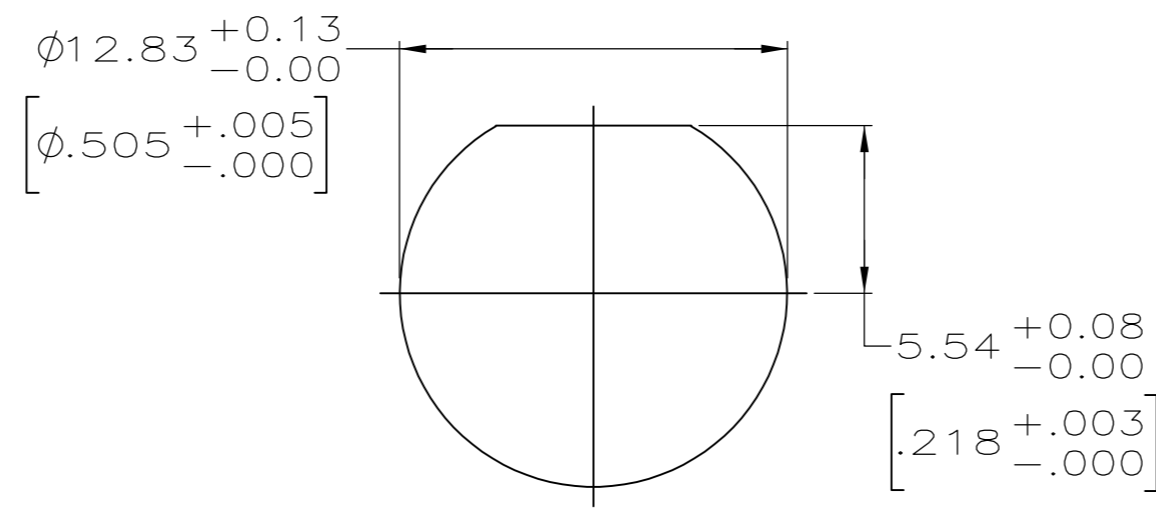


THIS DRAWING IS UNPUBLISHED. RELEASED FOR PUBLICATION
 © COPYRIGHT BY TYCO ELECTRONICS CORPORATION. ALL RIGHTS RESERVED.

LOC		DIST		REVISIONS			
P	LTR	DESCRIPTION	DATE	DWN	APVD		
AJ	16						
		D	REV PER ECO 08-009474	7/22/2008	DW	JL	

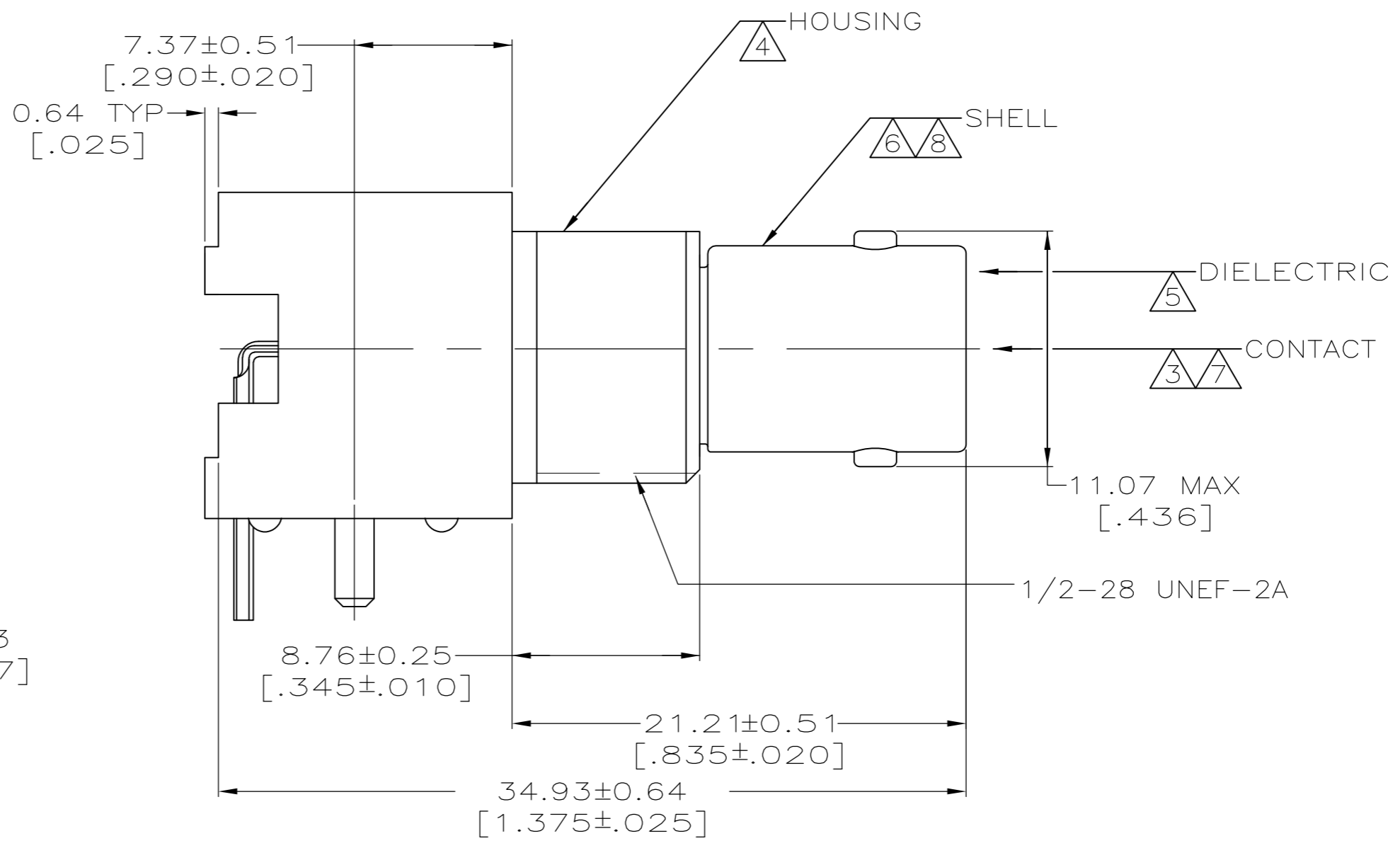
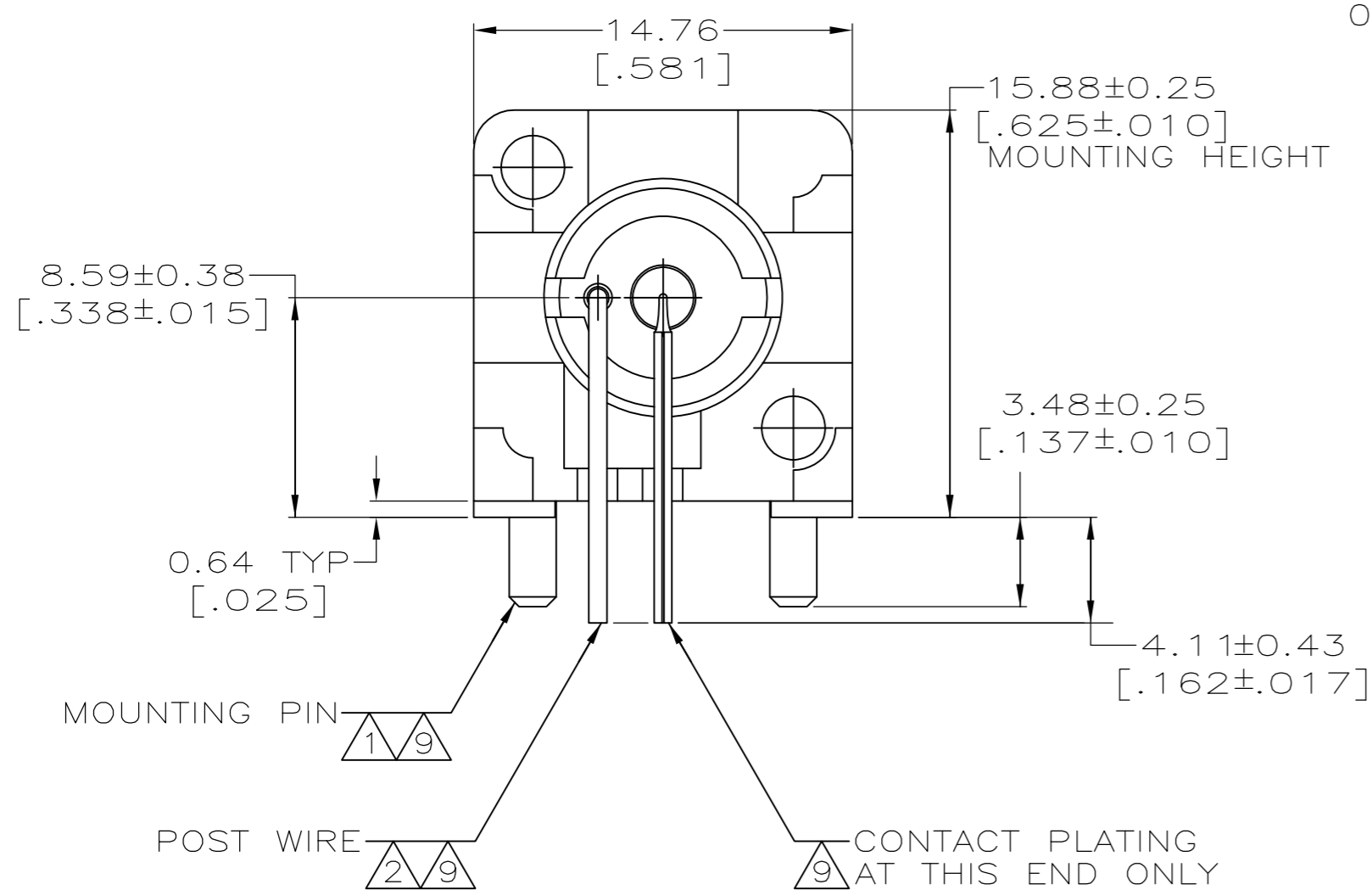


RECOMMENDED PCB LAYOUT



RECOMMENDED PANEL CUTOUT

- ① BRASS PER ASTM-B-16
- ② BRASS PER ASTM-B-453
- ③ PHOSPHOR BRONZE PER ASTM-B-103
- ④ POLYESTER PBT PER MIL-M-25419, TYPE GPT-15F, UL94V-0 RATED, COLOR: BLACK
- ⑤ POLYMETHYLPENTENE: GENERAL PURPOSE
- ⑥ ZINC DIE CAST PER QQ-Z-363
- ⑦ GOLD PLATE PER MIL-G-45204, 0.76 μm [.000030] MIN THICKNESS
- ⑧ NICKEL PLATE PER QQ-N-290, 3.81 μm [.000150] MIN THICKNESS
- ⑨ TIN PLATE PER ASTM-B-545, 3.81 μm [.000150] MIN THICK.
- 10. USE INSTRUCTION SHEET 2769



415633-1
 PART NUMBER

THIS DRAWING IS A CONTROLLED DOCUMENT.		DWN MICHAEL E. COWHER 08OCT96	Tyco Electronics Corporation Middletown, PA 17057	
DIMENSIONS: mm [INCHES]		CHK MICHAEL J. TOMCHAK 08OCT96	NAME JACK, RIGHT ANGLE, 75 OHM, PCB, BNC	
TOLERANCES UNLESS OTHERWISE SPECIFIED:		APVD MICHAEL J. TOMCHAK 08OCT96	PRODUCT SPEC 108-12078	
0 PLC ± -	1 PLC ± -	APPLICATION SPEC		
2 PLC ± 0.20 [.008]	3 PLC ± -	SIZE A2		
4 PLC ± -	ANGLES ± -	CAGE CODE 00779		
MATERIAL SEE NOTES	FINISH SEE NOTES	DRAWING NO C=415633		
CUSTOMER DRAWING		RESTRICTED TO		
		SCALE 4:1		
		SHEET 1 OF 1		
		REV D		

X-ON Electronics

Largest Supplier of Electrical and Electronic Components

Click to view similar products for [RF Connectors / Coaxial Connectors](#) category:

Click to view products by [TE Connectivity](#) manufacturer:

Other Similar products are found below :

[R125315120](#) [8915-1511-000](#) [89674-0827](#) [5916-1103-603](#) [0106-001-000](#) [6-0001-3](#) [6001-7071-019](#) [6002-7051-003](#) [6002-7551-202](#) [6059674-1](#) [619550-1](#) [630059-000](#) [M39012/25-0021](#) [M39012/79-3008](#) [M39030/3-01N](#) [M39030/3-03N](#) [M3933/25-36N](#) [6500-7071-046](#) [6501-1071-002](#) [M83723/72W2457N](#) [6769](#) [CX050L2AQ](#) [7002-1541-010](#) [7002-1572-002](#) [7003-1572-002](#) [7004-1512-000](#) [7009-1511-004](#) [7010-1511-000](#) [7029-1511-060](#) [7101-1541-010](#) [7101-1571-002](#) [7105-1521-002](#) [7145-1521-002](#) [7209-1511-011](#) [7210-1511-012](#) [7210-1511-015](#) [7210-1511-019](#) [7210-1511-040](#) [7225-1512-050](#) [7242-1511-000](#) [73137-5015](#) [73251-0111](#) [73251-0672](#) [73276-1501](#) [73366-0013](#) [73404-2300](#) [73413-6080](#) [73415-5721](#) [7405-1521-005](#) [7405-1521-802](#)