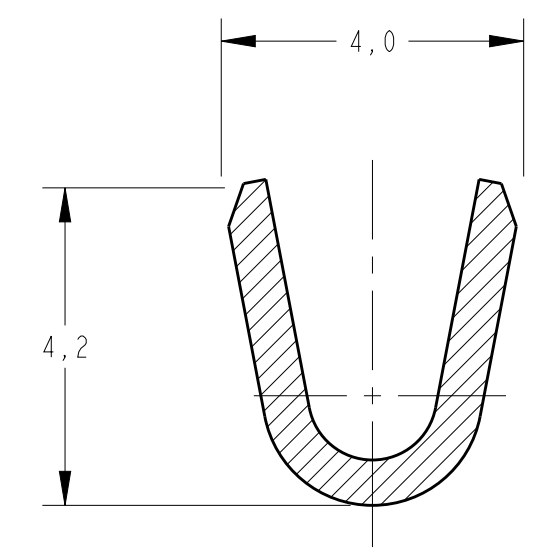
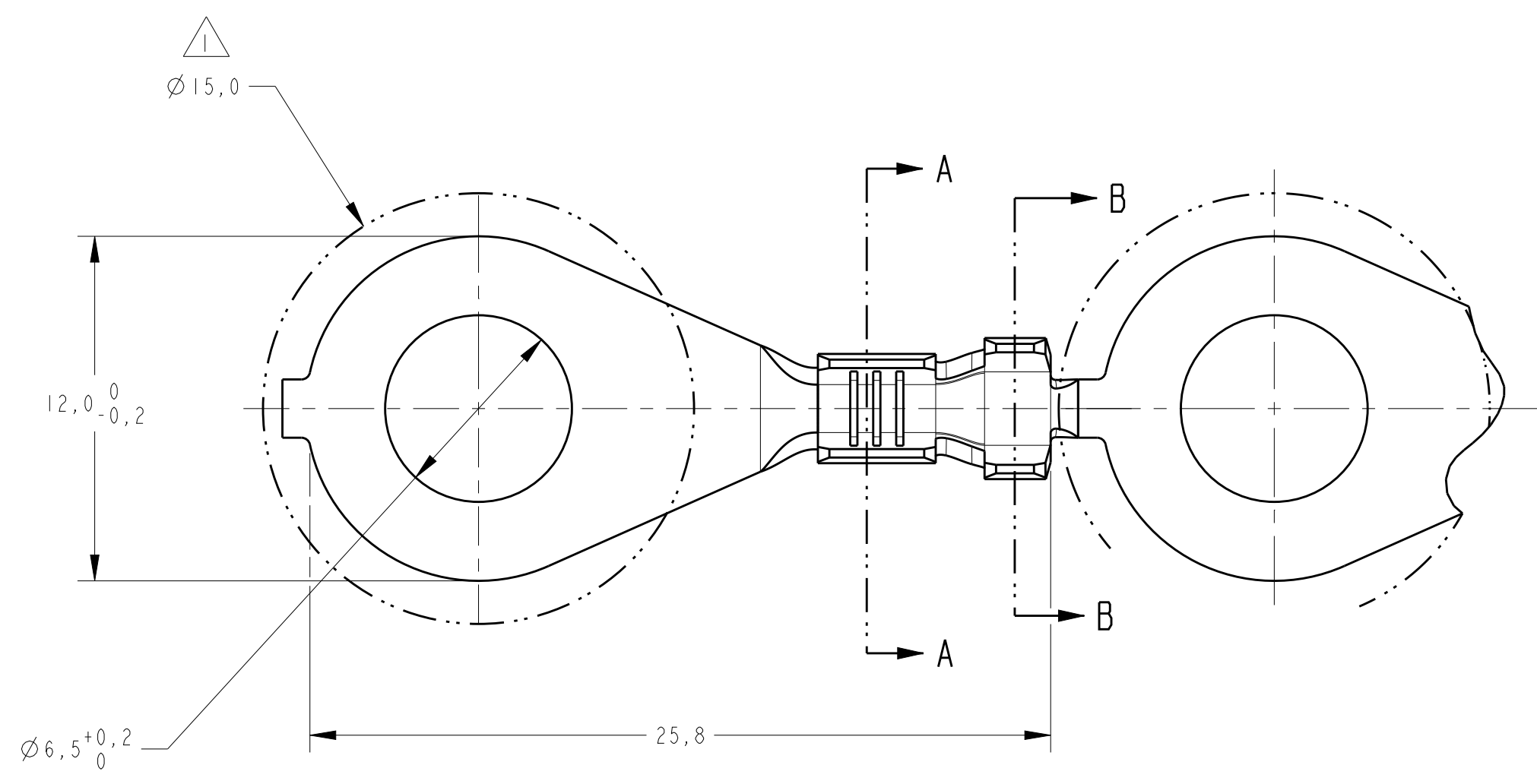


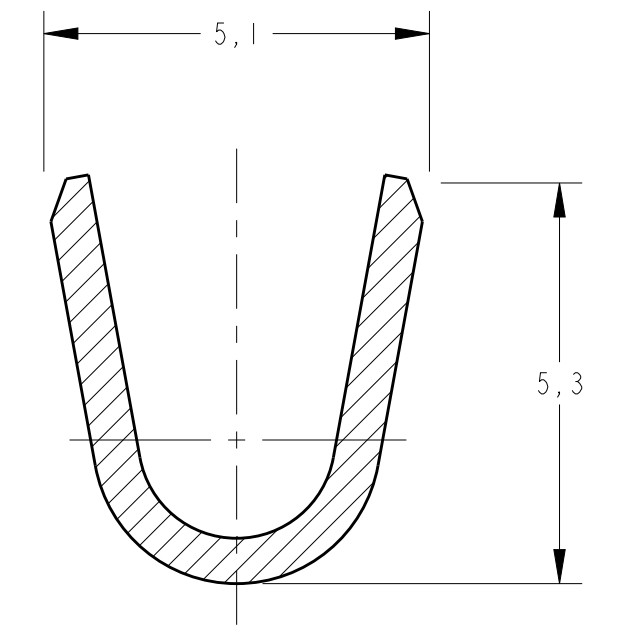
THIS DRAWING IS UNPUBLISHED. RELEASED FOR PUBLICATION 20
 © COPYRIGHT 20 BY - ALL RIGHTS RESERVED.

creo
 Creo Parametric 2.0
 DO NOT REVISE
 EXCEPT BY CAD

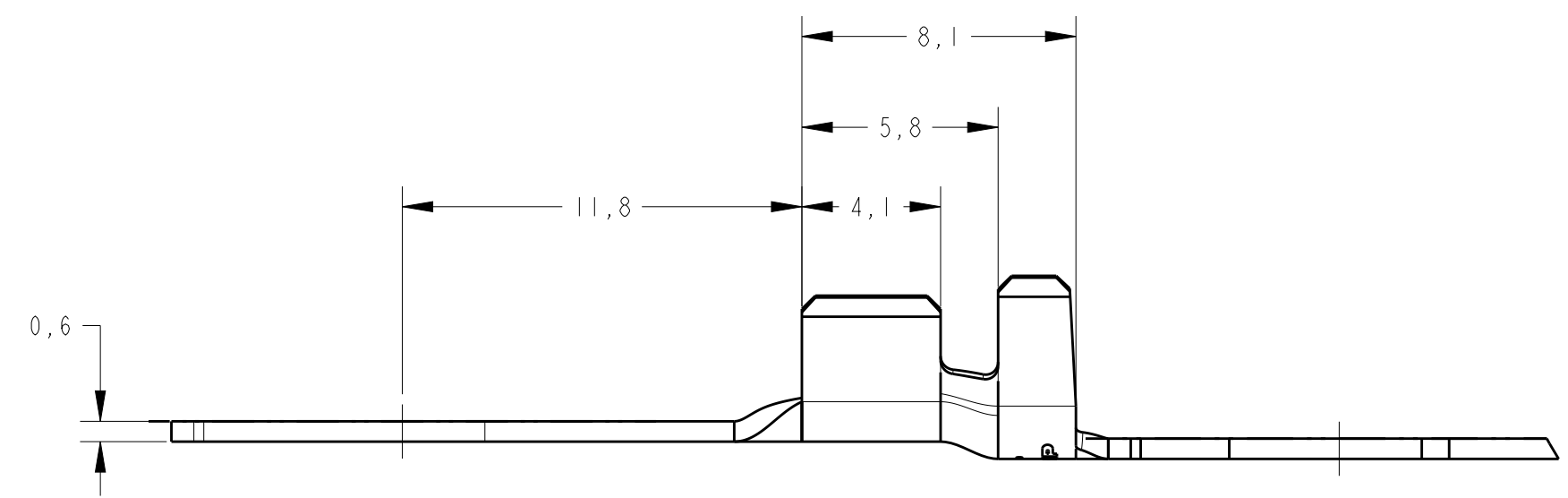
REVISIONS				
P	LTR	DESCRIPTION	DATE	APVD
	A3	REV. BY ECO 17-005556	28APR2017	HC WLS



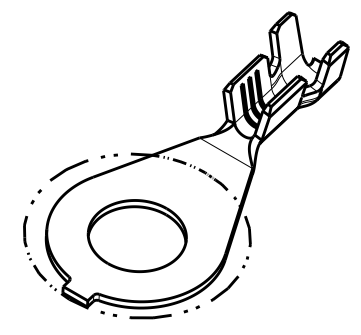
SECTION A-A
 SCALE 10:1



SECTION B-B
 SCALE 10:1



△ - REGIÃO LIVRE PARA FERRAMENTA
 - TOOL CLEARANCE AREA



PERSPECTIVE VIEW
 SCALE 2:1

WIRE RANGE	INS. RANGE	FINISH	MATERIAL	PART NUMBER
>1,0-2,5mm ²	∅ 2,1-2,9mm			
OBSOLETE		ELECTRO TIN SPEC.112-16-3 2,5µm	PHOSPHOR BRONZE SPEC.TE 100-221-H04	444155-4
OBSOLETE		PLAIN	PHOSPHOR BRONZE SPEC.TE 100-221-H04	444155-3
		ELECTRO TIN SPEC.112-16-3 2,5µm	LATÃO/BRASS SPEC.TE 100-1512	444155-2
OBSOLETE		PLAIN	LATÃO/BRASS SPEC.TE 100-1512	444155-1

THIS DRAWING IS A CONTROLLED DOCUMENT.		DWN NCLAPRESA 05NOV2014	TE Connectivity	
DIMENSIONS: mm		CHK ECHRISTIANO 05NOV2014		
		APVD LWPRADO 05NOV2014		
TOLERANCES UNLESS OTHERWISE SPECIFIED: mm ²		NAME -		RESTRICTED TO -
0 PLC ±		PRODUCT SPEC -		SIZE A2
1 PLC ±0,3		APPLICATION SPEC -		CAGE CODE -
2 PLC ±		WEIGHT -		DRAWING NO C-444155
3 PLC ±		Customer Drawing		SCALE 5:1
4 PLC mm ±		SHEET 1 OF 1		REV A3
ANGLES ±1°				
FINISH				
mm ² -				

X-ON Electronics

Largest Supplier of Electrical and Electronic Components

Click to view similar products for [Terminals](#) category:

Click to view products by [TE Connectivity](#) manufacturer:

Other Similar products are found below :

[HT-13-10](#) [71M-250-32-NB](#) [01-2065-1-0216](#) [00581P0075](#) [M10-10RX](#) [M10BCK](#) [60205-1](#) [604200-1](#) [60598-1-CUT-TAPE](#) [60617-1-C](#) [60873-1](#) [M14-516R/SK](#) [M14-6RSX](#) [M18-10FLX](#) [M18-8FBX](#) [M18-8R/LX](#) [M18BCK](#) [61314-6-C](#) [61-S](#) [61-SN-A](#) [62-NBM-A](#) [63-S](#) [640179-1](#) [640917-2-CUT-TAPE](#) [6501550002](#) [66107-2-C](#) [696683-1](#) [696834-1](#) [696861-1](#) [696931-1](#) [696999-1](#) [M8-516RK](#) [M86700006](#) [MA250DMFMX-A](#) [701-2007](#) [701-2307](#) [701-7761-03](#) [70F-110-32-PB](#) [718-N-A](#) [71M-187-20-NBL](#) [71M-250-32-NBL](#) [72F-187-20-NBL](#) [72M-250-32-NBL](#) [7310](#) [73F-250-32](#) [73F-250-32-NBL](#) [73F-250-32-NL](#) [F14-10C](#) [F-1M](#) [751-250](#)