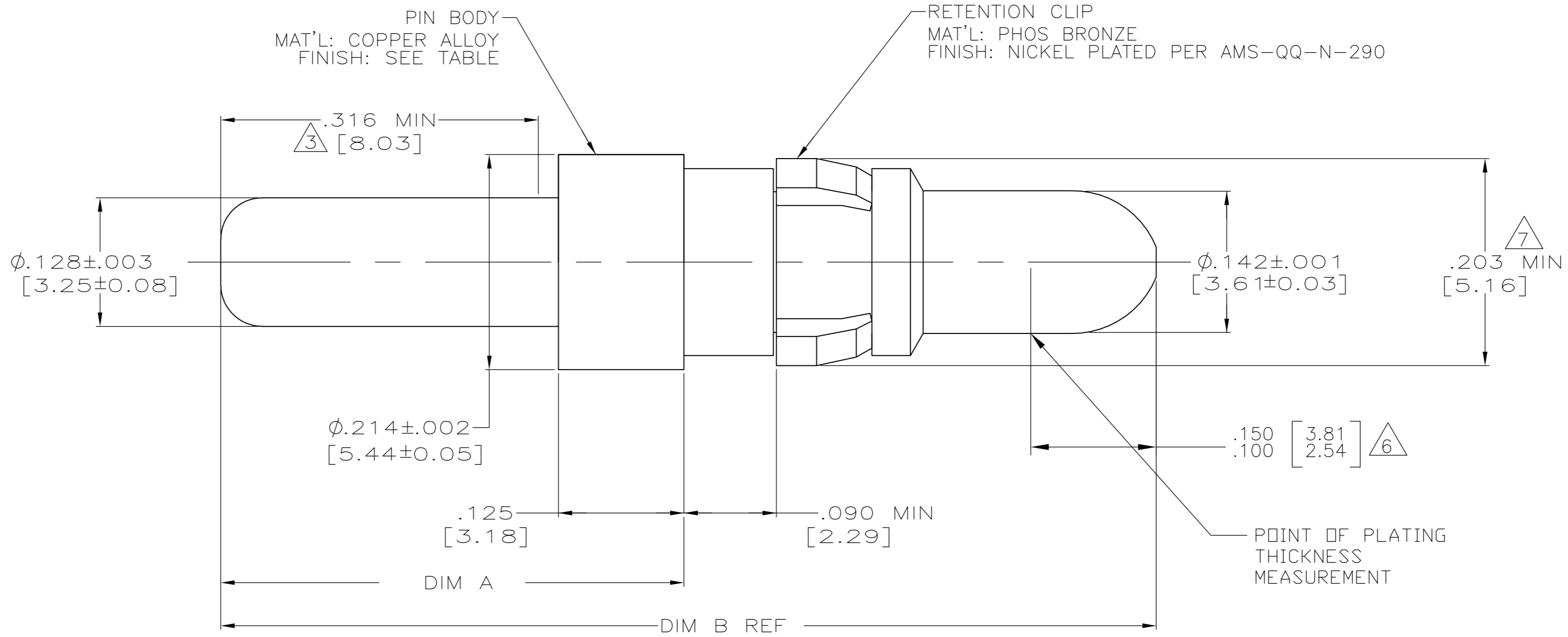


THIS DRAWING IS UNPUBLISHED. RELEASED FOR PUBLICATION
 © COPYRIGHT - By - ALL RIGHTS RESERVED.

LOC		DIST		REVISIONS			
P	LTR	DESCRIPTION		DATE	DWN	APVD	
	E	REV PER ECO 15-000491		4-24-15	CT	CD	



- 1 FINISH: PLATED GOLD .000050 [0.00127] MIN THK PER ASTM-B-488 OVER NICKEL .000050 [0.00127] MIN THK PER AMS-QQ-N-290.
- 2 FINISH: PLATED GOLD .000030 [0.00076] MIN THK PER ASTM-B-488 OVER NICKEL .000050 [0.00127] MIN THK PER AMS-QQ-N-290.
- 3 THIS AREA SHALL SATISFY THE REQUIREMENTS OF MIL-STD-202, METHOD 208.
- 4. THIS CONTACT CAN BE USED IN ANY AMPLIMITE PLUG CONNECTOR WITH SIZE 8 CONTACT CAVITIES.
- 5 RESTRICTED PART NUMBER.
- 6 FINISH:
MATING AREA: GOLD PER ASTM-B-488 (TYPE II) OVER NICKEL PER AMS-QQ-N-290
NON-MATING AREA: GOLD STRIKE PER ASTM-B-488 OVER NICKEL PER AMS-QQ-N-290
- 7 DIMENSION MUST BE MEASURED USING A RING GAGE.

PRELIMINARY NOT RELEASED FOR PRODUCTION		5			1-449379-2
PRELIMINARY NOT RELEASED FOR PRODUCTION		2	.845 [21.46]	.375 [9.53]	1-449379-1
PRELIMINARY NOT RELEASED FOR PRODUCTION		2	.931 [23.65]	.461 [11.71]	1-449379-0
		6	.845 [21.46]	.375 [9.53]	449379-2
		6	.931 [23.65]	.461 [11.71]	449379-1
FINISH		DIM B		DIM A	
				PART NUMBER	

THIS DRAWING IS A CONTROLLED DOCUMENT.

DIMENSIONS: INCHES [mm]	TOLERANCES UNLESS OTHERWISE SPECIFIED: 0 PLC ± - 1 PLC ± - 2 PLC ± - 3 PLC ± .005 [0.13] 4 PLC ± - ANGLES ± -	DWN C.C.THOMAS 11/10/00 CHK D.MILLER 11/10/00 APVD D.MILLER 11/10/00 PRODUCT SPEC APPLICATION SPEC	NAME ASSEMBLY,PIN CONTACT SIZE 8,STRAIGHT POST,PCB
MATERIAL SEE CALLOUTS	FINISH SEE TABLE	WEIGHT -	SIZE A2
CUSTOMER DRAWING		SCALE 10:1	SHEET 1 of 1

TE Connectivity

RESTRICTED TO

X-ON Electronics

Largest Supplier of Electrical and Electronic Components

Click to view similar products for [D-Sub Contacts](#) category:

Click to view products by [TE Connectivity](#) manufacturer:

Other Similar products are found below :

[173112-0723](#) [173112-0393](#) [173112-0389](#) [173112-0750](#) [173112-0912](#) [FMP009P104](#) [FMP010P104](#) [FMP010S104](#) [FMP016P104](#)
[FMP016S104](#) [FMP051S110](#) [FMX006S128B](#) [124C25029X](#) [131A11039X](#) [132A11019X](#) [132J22039X](#) [132A11029X](#) [132A12059X](#)
[132C12029X](#) [RMPIR01S02E2RLF](#) [DM53744-1](#) [1757912-1](#) [188582-000](#) [162A11839X](#) [162A11889X](#) [1757913-1](#) [FK20S18-02V_100](#)
[FMP006S110](#) [FMP009S104](#) [FMP139S115](#) [212558-1](#) [D02-22-26P-10000](#) [L17DM53744217](#) [D-610-10CS2820](#) [030-1955-000](#) [030-50634](#)
[053744-0098](#) [053744-0099](#) [053745-0105](#) [053745-0111](#) [601064N004](#) [601098N003](#) [6-745288-2](#) [D-610-10CS2962](#) [86303057NLF](#)
[DM537425001NCLF](#) [131A11019X](#) [173112-0045](#) [162A11819X](#) [1731120397](#)