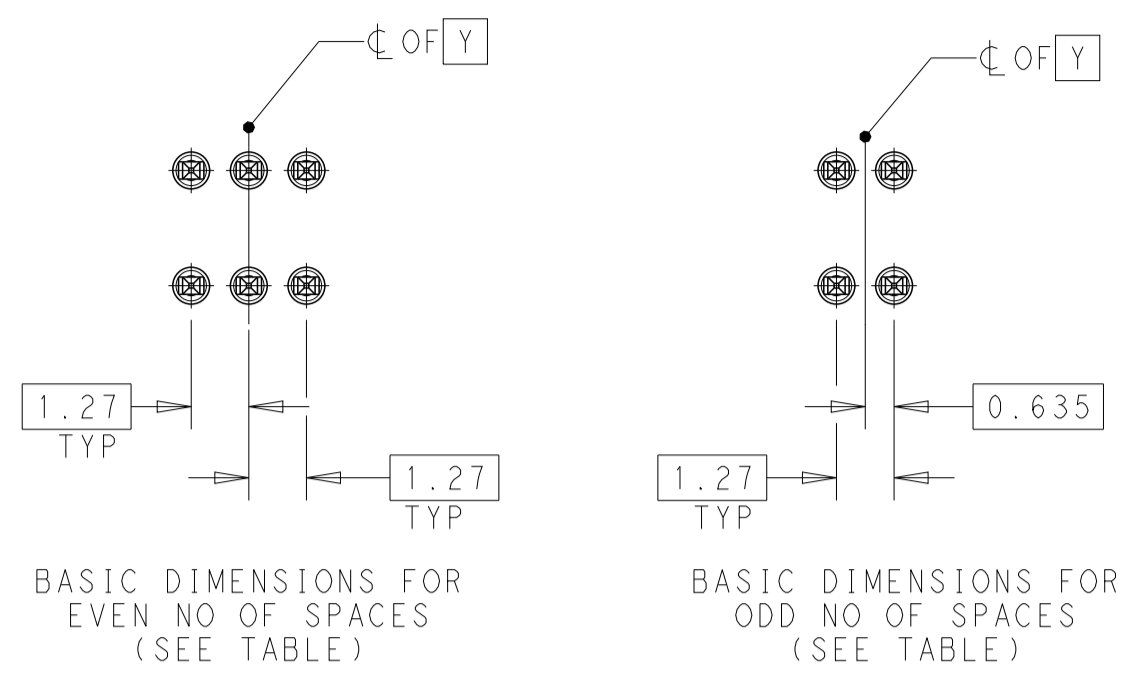
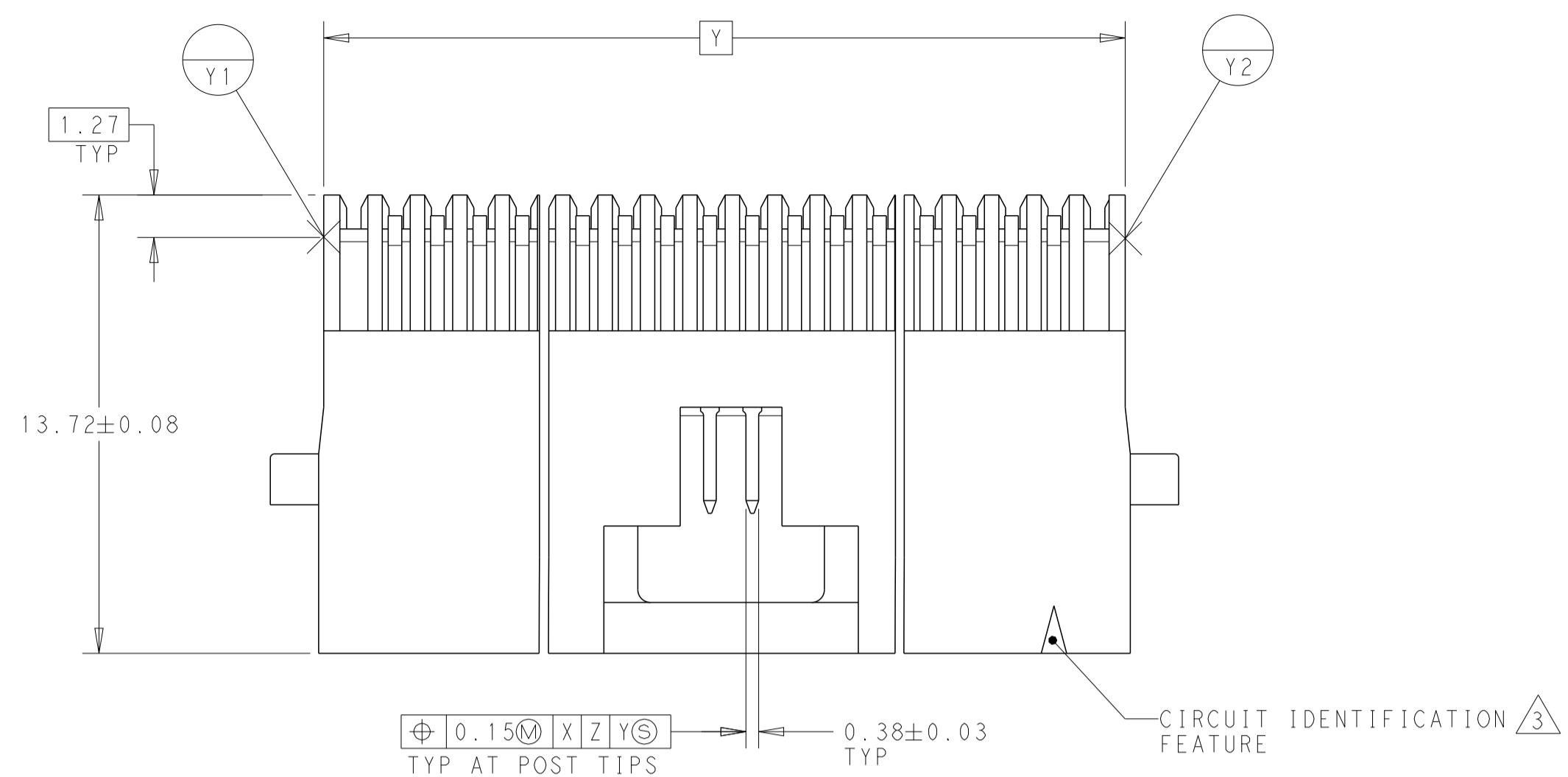
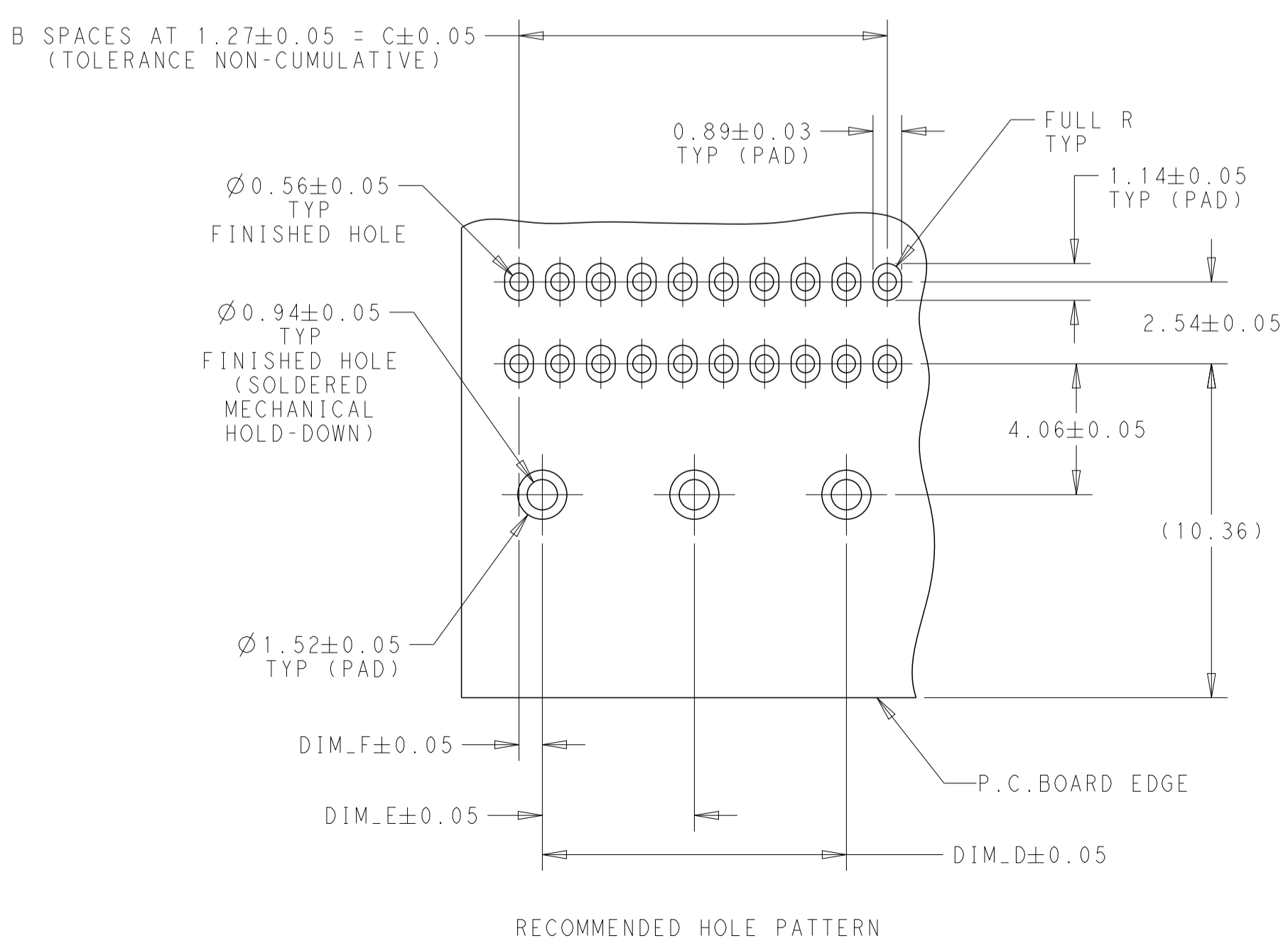
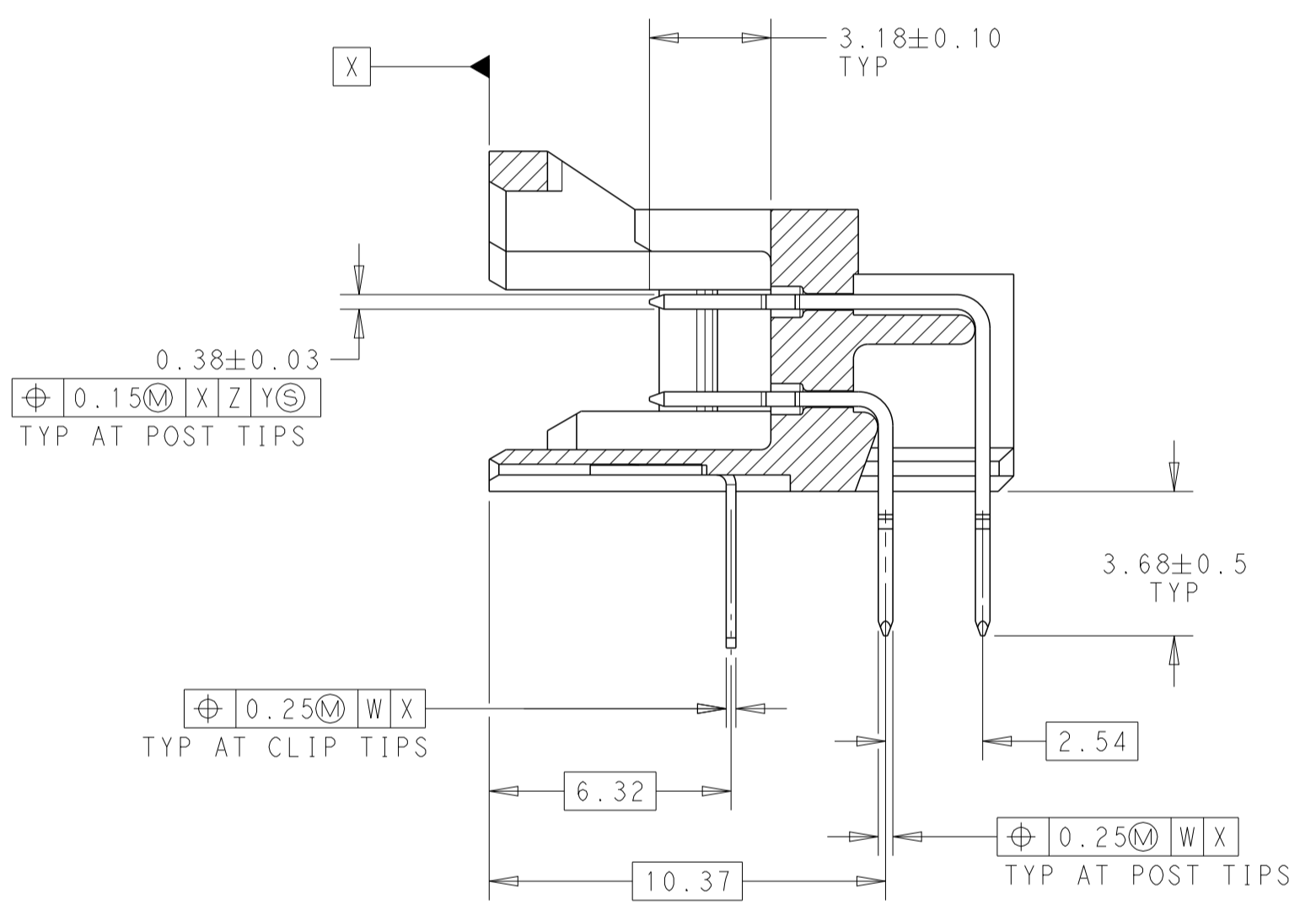
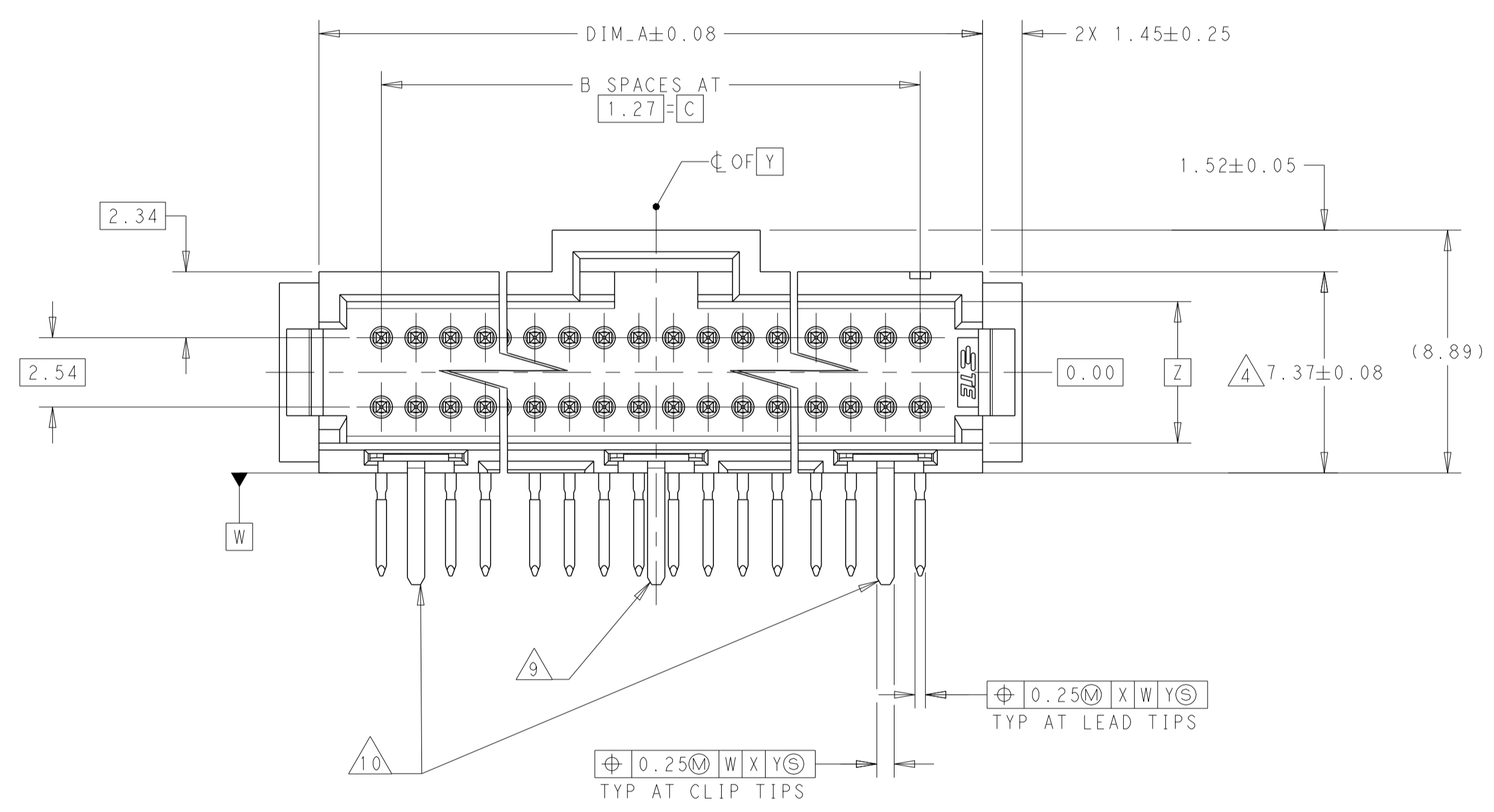


| REVISIONS | | | | |
|-----------|-----|-----------------------------------|-----------|-------|
| P | LTN | DESCRIPTION | DATE | APPD |
| AA | | REDRAWN/REVISED PER ECO-17-001755 | 20NOV2017 | KS JO |



- 1 CONTACT AREAS PLATED WITH 0.76µm GOLD, SOLDER TAILS PLATED WITH 3.81µm TIN-LEAD, ALL OVER 1.27µm NICKEL
2. NOTE DELETED.
- 3 CIRCUIT IDENTIFICATION FEATURE OMITTED ON 8, 10, 12, & 14 POSITION HEADER ASSEMBLIES
- 4 DIMENSIONS APPLIES AT BASE OF SHROUD
- 5 THE NOTED DIMENSIONS APPLY AT THE INTERSECTION OF THE POST AND HOUSING.
6. NOTE DELETED.
- 7 CONTACT AREAS PLATED WITH 0.76µm GOLD, SOLDER TAILS PLATED WITH 3.81µm TIN, ALL OVER 1.27µm NICKEL.
- 8 HOUSING: LCP, COLOR: BLACK
POST: COPPER ALLOY
- 9 HOLD DOWN FEATURES LOCATED AS SHOWN FOR 8 THRU 14 & 60 THRU 100 POSN ASSEMBLIES (SEE TABLE)
- 10 HOLD DOWN FEATURES LOCATED AS SHOWN FOR 16 THRU 100 POSN ASSEMBLIES (SEE TABLE)
- 11 FINISH: 0.03µm MIN GOLD ON GOLD PLATED AREA, 3.81µm MATTE TIN LEAD ON TIN PLATED AREA. UNDER PLATING SHOULD BE 1.27µm NICKEL ON ENTIRE CONTACT.
- 12 FINISH: 0.03µm MIN GOLD ON GOLD PLATED AREA, 3.81µm MATTE TIN ON TIN PLATE AREA. UNDER PLATING SHOULD BE 1.27µm NICKEL ON ENTIRE CONTACT.
13. NOTE DELETED.
14. NOTE DELETED.



| FINISH | DIM_F | DIM_E | DIM_D | DIM_C | B SPACES | DIM_A | NO OF POSN | PART NUMBER |
|--------|-------|-------|-------|-------|----------|-------|------------|-------------|
| - | 2.54 | - | 5.08 | 4 | 9.65 | 10 | 8-104477-2 | |
| - | 1.27 | 12.7 | 15.24 | 12 | 19.81 | 26 | 8-104477-1 | |
| 5.72 | 1.27 | 11.43 | 13.97 | 11 | 18.54 | 24 | 8-104477-0 | |
| 17.15 | 1.27 | 34.29 | 36.83 | 29 | 41.40 | 60 | 7-104477-9 | |
| - | 3.18 | - | 6.35 | 5 | 10.92 | 12 | 7-104477-8 | |
| 29.85 | 1.27 | 59.69 | 62.23 | 49 | 66.80 | 100 | 7-104477-7 | |
| 23.5 | 1.27 | 46.99 | 49.53 | 39 | 54.10 | 80 | 7-104477-6 | |
| - | 1.27 | 27.94 | 30.48 | 24 | 35.05 | 50 | 7-104477-5 | |
| - | 1.27 | 21.59 | 24.13 | 19 | 28.70 | 40 | 7-104477-4 | |
| - | 1.27 | 15.24 | 17.78 | 14 | 22.35 | 30 | 7-104477-3 | |
| - | 1.27 | 8.89 | 11.43 | 9 | 16.00 | 20 | 7-104477-2 | |
| 20.96 | 1.27 | 41.91 | 44.45 | 35 | 49.02 | 72 | 7-104477-1 | |
| - | 2.54 | - | 5.08 | 4 | 9.65 | 10 | 6-104477-2 | |
| - | 1.27 | 12.7 | 15.24 | 12 | 19.81 | 26 | 6-104477-1 | |
| 5.72 | 1.27 | 11.43 | 13.97 | 11 | 18.54 | 24 | 6-104477-0 | |
| 17.15 | 1.27 | 34.29 | 36.83 | 29 | 41.40 | 60 | 5-104477-9 | |
| - | 3.18 | - | 6.35 | 5 | 10.92 | 12 | 5-104477-8 | |
| 29.85 | 1.27 | 59.69 | 62.23 | 49 | 66.80 | 100 | 5-104477-7 | |
| 23.5 | 1.27 | 46.99 | 49.53 | 39 | 54.10 | 80 | 5-104477-6 | |
| - | 1.27 | 27.94 | 30.48 | 24 | 35.05 | 50 | 5-104477-5 | |
| - | 1.27 | 21.59 | 24.13 | 19 | 28.70 | 40 | 5-104477-4 | |
| - | 1.27 | 15.24 | 17.78 | 14 | 22.35 | 30 | 5-104477-3 | |
| - | 1.27 | 8.89 | 11.43 | 9 | 16.00 | 20 | 5-104477-2 | |
| 20.96 | 1.27 | 41.91 | 44.45 | 35 | 49.02 | 72 | 5-104477-1 | |

| FINISH | DIM_F | DIM_E | DIM_D | DIM_C | B SPACES | DIM_A | NO OF POSN | PART NUMBER |
|--------|-------|-------|-------|-------|----------|-------|------------|-------------|
| - | 2.54 | - | 5.08 | 4 | 9.65 | 10 | 3-104477-2 | |
| - | 1.27 | 12.7 | 15.24 | 12 | 19.81 | 26 | 3-104477-1 | |
| 5.72 | 1.27 | 11.43 | 13.97 | 11 | 18.54 | 24 | 3-104477-0 | |
| 17.15 | 1.27 | 34.29 | 36.83 | 29 | 41.40 | 60 | 2-104477-9 | |
| - | 3.18 | - | 6.35 | 5 | 10.92 | 12 | 2-104477-8 | |
| 29.85 | 1.27 | 59.69 | 62.23 | 49 | 66.80 | 100 | 2-104477-7 | |
| 23.5 | 1.27 | 46.99 | 49.53 | 39 | 54.10 | 80 | 2-104477-6 | |
| - | 1.27 | 27.94 | 30.48 | 24 | 35.05 | 50 | 2-104477-5 | |
| - | 1.27 | 21.59 | 24.13 | 19 | 28.70 | 40 | 2-104477-4 | |
| - | 1.27 | 15.24 | 17.78 | 14 | 22.35 | 30 | 2-104477-3 | |
| - | 1.27 | 8.89 | 11.43 | 9 | 16.00 | 20 | 2-104477-2 | |
| 20.96 | 1.27 | 41.91 | 44.45 | 35 | 49.02 | 72 | 2-104477-1 | |
| - | 2.54 | - | 5.08 | 4 | 9.65 | 10 | 1-104477-2 | |
| - | 1.27 | 12.7 | 15.24 | 12 | 19.81 | 26 | 1-104477-1 | |
| 5.72 | 1.27 | 11.43 | 13.97 | 11 | 18.54 | 24 | 1-104477-0 | |
| 17.15 | 1.27 | 34.29 | 36.83 | 29 | 41.40 | 60 | 104477-9 | |
| - | 3.18 | - | 6.35 | 5 | 10.92 | 12 | 104477-8 | |
| 29.85 | 1.27 | 59.69 | 62.23 | 49 | 66.80 | 100 | 104477-7 | |
| 23.5 | 1.27 | 46.99 | 49.53 | 39 | 54.10 | 80 | 104477-6 | |
| - | 1.27 | 27.94 | 30.48 | 24 | 35.05 | 50 | 104477-5 | |
| - | 1.27 | 21.59 | 24.13 | 19 | 28.70 | 40 | 104477-4 | |
| - | 1.27 | 15.24 | 17.78 | 14 | 22.35 | 30 | 104477-3 | |
| - | 1.27 | 8.89 | 11.43 | 9 | 16.00 | 20 | 104477-2 | |
| 20.96 | 1.27 | 41.91 | 44.45 | 35 | 49.02 | 72 | 104477-1 | |

THIS DRAWING IS A CONTROLLED DOCUMENT.

DIMENSIONS: mm

TOLERANCES UNLESS OTHERWISE SPECIFIED:

| | |
|--------|-------|
| 0 PLC | ± |
| 1 PLC | ±0.3 |
| 2 PLC | ±0.13 |
| 3 PLC | ± |
| 4 PLC | ± |
| ANGLES | ±0.5° |

MATERIAL: SEE TABLE

FINISH: SEE TABLE

THIS DRAWING IS A CONTROLLED DOCUMENT. DWG: R. SHRISHAILI, 20NOV2017. CHK: J. OLSON, 20NOV2017. APPD: J. OLSON, 20NOV2017.

PRODUCT SPEC: 108-1093

APPLICATION SPEC: 114-25031

WEIGHT: -

CUSTOMER DRAWING

SCALE: 6:1

SHEET 1 OF 1

REV AA

TE Connectivity

HEADER ASSEMBLY, RIGHT ANGLE, DOUBLE ROW, W/SIDE & END LATCHES, AMPMODU System 50

SIZE: A1

CAGE CODE: 100779

DRAWING NO: 104477

RESTRICTED TO: -

X-ON Electronics

Largest Supplier of Electrical and Electronic Components

Click to view similar products for [Board to Board & Mezzanine Connectors](#) category:

Click to view products by [TE Connectivity](#) manufacturer:

Other Similar products are found below :

[10135583-642402LF](#) [89885-310LF](#) [589158040000018](#) [6-1393048-0](#) [68683-613](#) [MDF7-12DP-2.54DSA](#) [MDF7-18P-2.54DSA\(01\)](#) [MDF7-20DP-2.54DSA](#) [MDF7-26D-2.54DSA\(55\)](#) [MDF7-3P-2.54DSA\(01\)](#) [MDF7B-3P-2.54DSA\(55\)](#) [MDF7C-11P-2.54DSA\(55\)](#) [MDF7C-18P-2.54DSA\(55\)](#) [MDF7C-5P-2.54DSA\(01\)](#) [MDF7P-5P-2.54DSA\(55\)](#) [75234-0516](#) [FCN-230C068-11](#) [FCN-268F012-G/BD](#) [FCN-268F036-G/BD](#) [FCN-268M012-G/0D](#) [FCN-268M024-G/1D](#) [FCN-360C008-C](#) [FCN-360C040-C](#) [FCN-723J004/1](#) [MIS-048-01-F-D-DP-K](#) [832-10-034-10-001000](#) [93696-325LF](#) [11828-1FA](#) [AXK630345P](#) [18097-0013](#) [ICA-328STT](#) [2007042-2](#) [304400-2](#) [FCN-214Q030-G/0](#) [FCN-215Q040-G/0](#) [FCN-230C068-ESA](#) [FCN-234P048-G/0](#) [FCN-235D050-G/C](#) [FCN-360A3](#) [FCN-360C040-B](#) [210-93-314-41-105000](#) [2-22603-0](#) [379-064-521-202](#) [MDF7-12P-2.54DSA\(01\)](#) [MDF7-16P-2.54DS\(56\)](#) [MDF7-40DP-2.54DSA\(55\)](#) [MDF7-8P-2.54DSA\(55\)](#) [MDF7B-16P-2.54DSA\(55\)](#) [AXG720047](#) [5031084030](#)